

# Spare parts manual

## Clip Driver – CD400 with Power Pack

Issue date: 2017-06-30  
Document id: ENG\_SPM\_CD400SP  
Revision: P02



Rosenqvist Rail AB, Hyggesvägen 4, 824 34 HUDIKSVALL, SWEDEN  
Phone +46 (0) 650-165 05  
[www.rosenqvistrail.se](http://www.rosenqvistrail.se) | [info@rosenqvistrail.se](mailto:info@rosenqvistrail.se)

<b>Table of contents</b>		
		Page
General		4
Frame – Variable chassis	5005680	6
Wheel tilt propelled	5003891	8
Wheel tilt propelled (filterside)	5003892	11
Wheel arrangement	5010197	14
Rail wheel	30800250	16
Brakes	5002262	18
Brake left	5002499	20
Brake right	5002265	22
Cover	5010380	24
Support leg	41900150	26
Lightning bracket	5010813	28
Parallell arm 1000mm	5005306	30
Guiding roller balk 1000mm	5005336	32
Parallell arm 1067mm	5009071	34
Guiding roller balk 1067mm	5009073	36
Parallell arm 1435mm	5003903	38
Guiding roller balk 1435mm	5003949	40
Parallell arm 1520mm	5010739	42
Guiding roller balk 1520mm	5010736	44
Parallell arm 1600mm	5004572	46
Guiding roller balk 1600mm	5004573	48
Automatic CD400	5002776	50
Guidning roller	5007705	52
Clipping unit fastclip	5005280	54
Clipping unit Deenik	5007030	56
Cover clipping unit left	5010033	58
Declipping unit	5005220	60
Cover de-clipping unit	5010034	64
Clipping unit e-CLIPS	5001021	66
Clipping unit e-CLIPS offset	5004661	70
De-clipping unit e-CLIPS	5002775	76
Protection cover e-CLIPS	5002484	78
Protection cover e-CLIPS offset	5006362	80
Declipping unit Anti Vandal e-clip	5007300	82
Sleeper lift	5000450	84
Hydraulic power unit	5004000	86
Power unit CD400SP	5003870	100
Hose kit emergency operation	5009903	104
Trailer attachment	5008095	107
Tie rod	5007896	109
Fire extinguisher	5010177	111
Tool box	5010808	113
Porto Power	595575	115
Hose kit CD400 frame	5010557	117
Hose kit lift and FC tools	5008350	120
Hose kit lift and FC tools	5008620	122
Hose kit lift and FC tools	5008670	124

Table of contents continue		
		Page
Hose kit e-CLIP tools	5008370	126
Pipe and hydraulics	5007800	128
Hose kit e-CLIP tools	5008650	137
Hose kit self propelled	5007760	139
Hosekit e-CLIP tools	5008700	141
Pipekit	5010568	143
Hydraulic hoses power unit	5008141	145
Hydraulic kit G=1000, G=1067	5010558	148
Hydraulic kit G=1435	5010559	152
Hydraulic kit G=1520	5010560	156
Hydraulic kit G=1600	5010561	160
Hydraulic scematics	5008140	164
Hydraulic scematics	5011723	165
Electric scematics		166

Revision	Changes
2	Added hydraulic and electrical schematics

## 1. General

Many of the products from Rosenqvist Rail AB are built under a modular approach. This has been done in order to offer our customers a wide range of high quality products with short delivery times. This spare part manual is made up of drawing modules. The language in the manual is in English. This manual is subject to change without notice.

To order a product or spare part, please contact Rosenqvist Rail AB in any of the following ways:

**Address:**

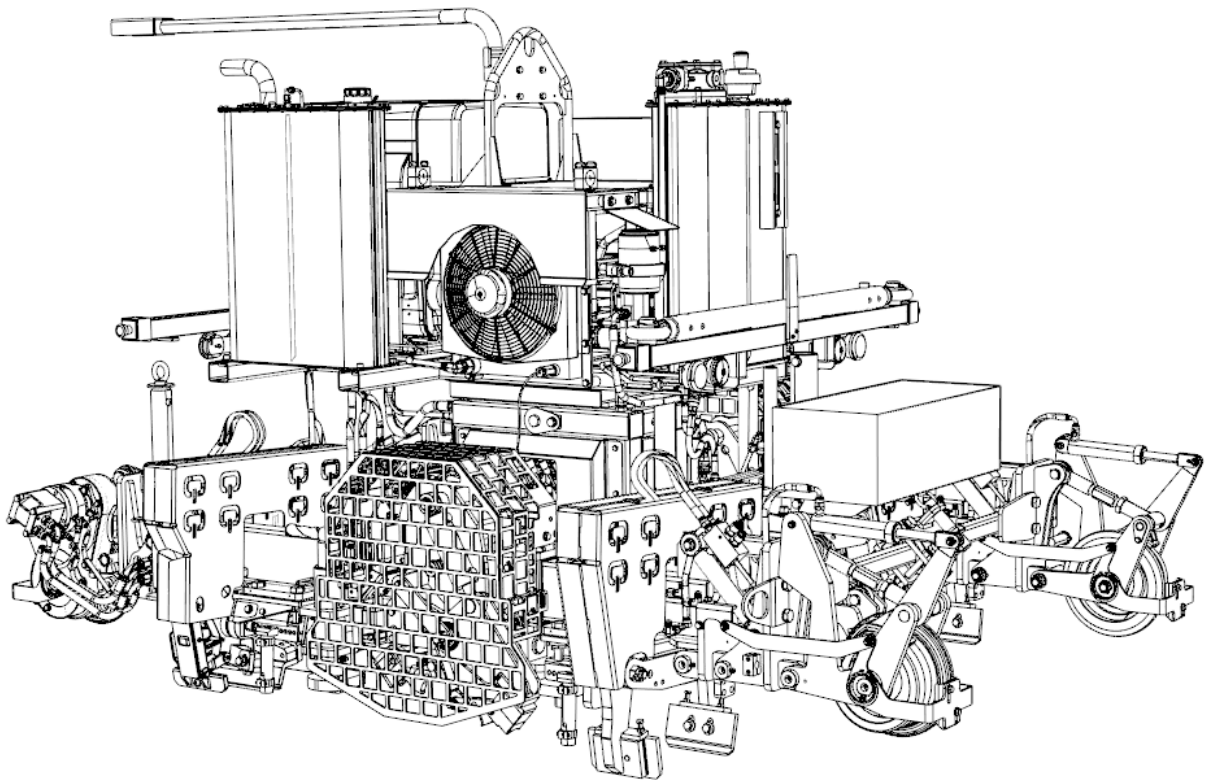
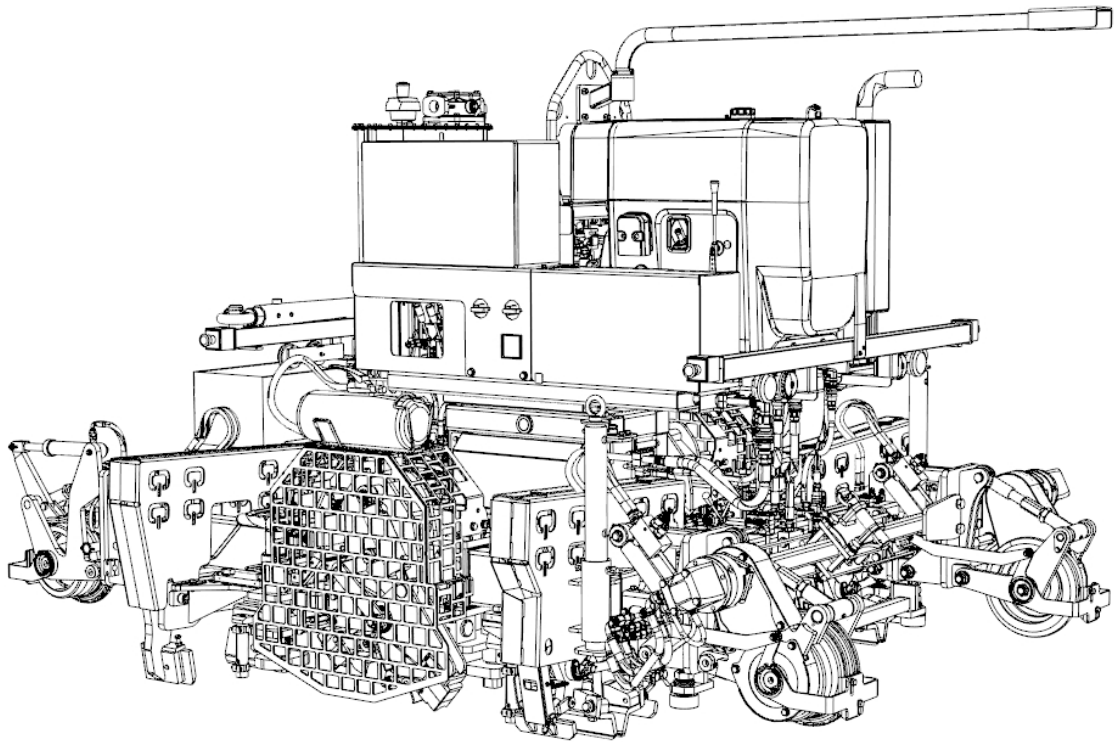
Rosenqvist Rail AB  
Hyggesvägen 4  
824 34 Hudiksvall

**Phone and fax:**

Phone : +46 (0) 650 165 05

**Internet and e-mail**

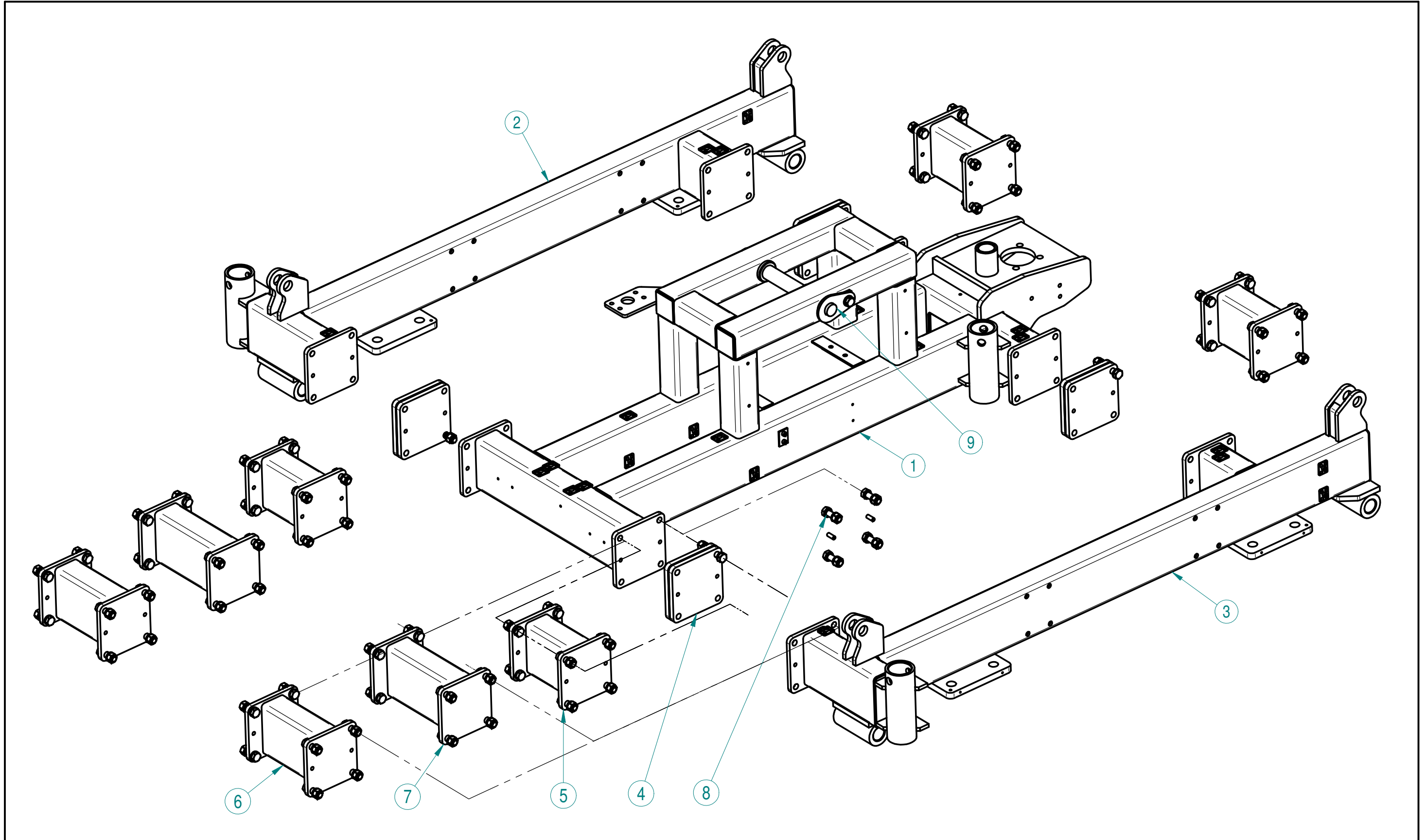
<http://www.rosenqvistrail.com/>  
[info@rosenqvistrail.se](mailto:info@rosenqvistrail.se)



Item no: **5005680**  
Revision: **F**

Title: Grundram variabel spårvidd

Spare part view



Item no: **5005680**  
Revision: **F**

Title: **Grundram variabel spårvidd**  
Title: Frame variable chassis

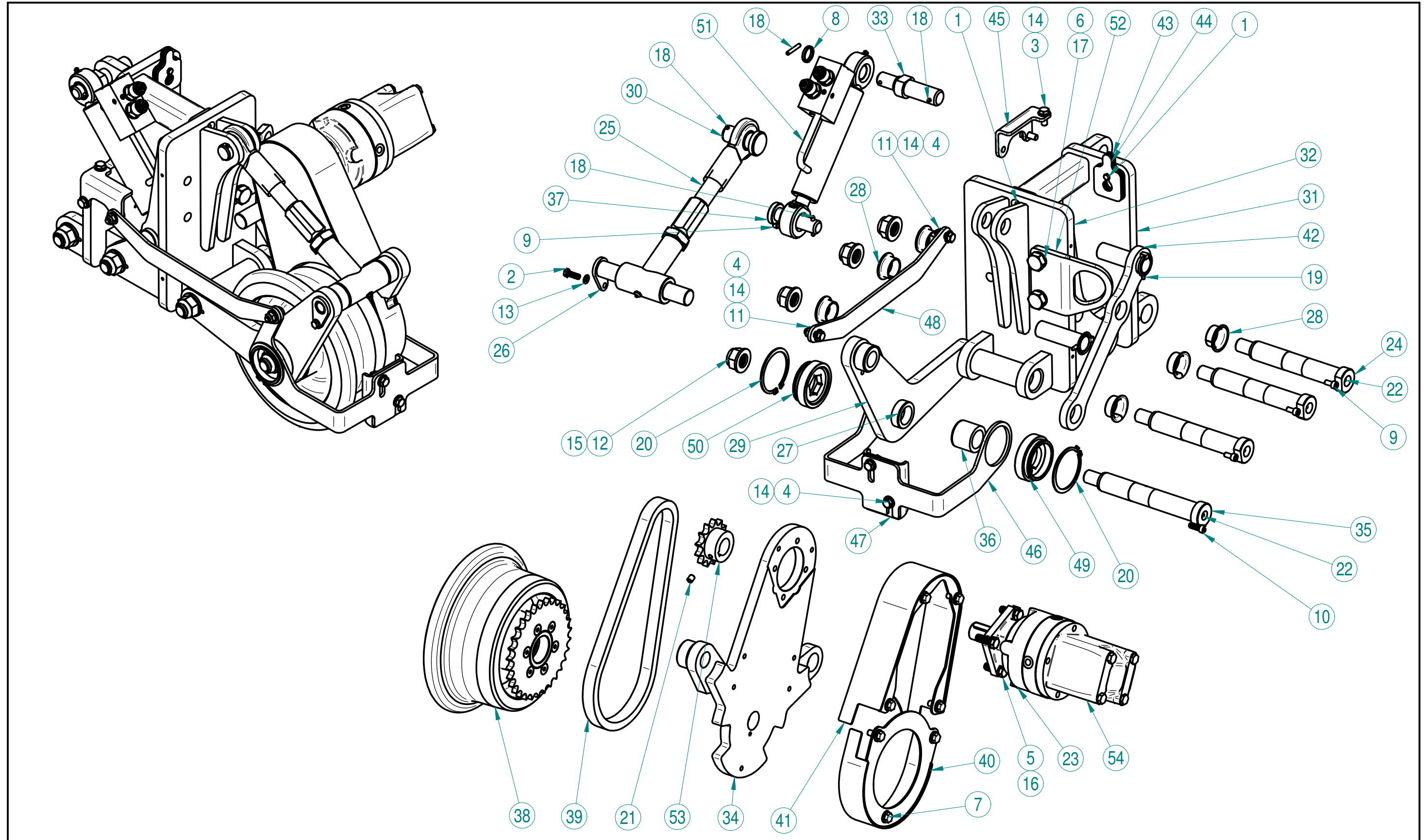
### Part list

Pos	Pcs	Title	Description	Item no:
1	1	Structure		5008067
2	1	Tool carrier, r.h.side		5008073
3	1	Tool carrier, l.h.side		5008079
4	4	Spacer 1000 -> 1067		5005694
5	4	Spacer 1000 -> 1435		5008080
6	4	Spacer 1000 -> 1520		5008171
7	4	Spacer 1000 -> 1600		5008174
8	4	Mounting kit		5010435
9	1	Shaft		31900228

Item no: **5003891**  
Revision: **H**

Title: Hjulställ drift komp.

Spare part view





Item no: **5003891**  
 Revision: **H**

Title: **Hjulst ll drift komp.**  
 Title: Hjulst ll drift

### Part list

Pos	Antal	Artikel	Beskrivning	Artikelnr.
1	2	Screw		100033
2	1	Screw		102057
3	2	Screw		102079
4	4	Screw		102080
5	4	Screw		102104
6	2	Screw		102199
7	7	Screw		109125
8	1	Spacer		110-0217
9	4	Screw		113042
10	1	Screw		113046
11	2	Nut		130005
12	4	Locking nut		130012
13	1	Washer		137005
14	8	Washer		137007
15	4	Washer		137017
16	4	Washer		142009
17	2	Washer		142015
18	4	Cotter pin		147143
19	2	Ring pin		148003
20	2	Clip		151072
21	1	Screw		154073
22	4	Grease nipple		157306
23	1	Hydraulic brake		202514
24	3	Shaft		30807212
25	1	Wheel link		31900451
26	1	Shaft		31900455
27	1	Spacer inner		40720131
28	6	Bushing		411017
29	1	Wheelbracket		5000585
30	1	Shaft		5000586
31	1	Tilting bracket		5003875
32	1	Wheel tilt		5003882
33	1	Shaft		5003887
34	1	Wheel bracket		5003896
35	1	Shaft		5003897
36	1	Spacer outer		5003898
37	1	Shaft		5003899
38	1	Wheel 250 comp. w cog wheel		5003902

Item no: **5003891**  
 Revision: **H**

Title: **Hjulst ll drift komp.**  
 Title: Wheel tilt propelled

### Part list

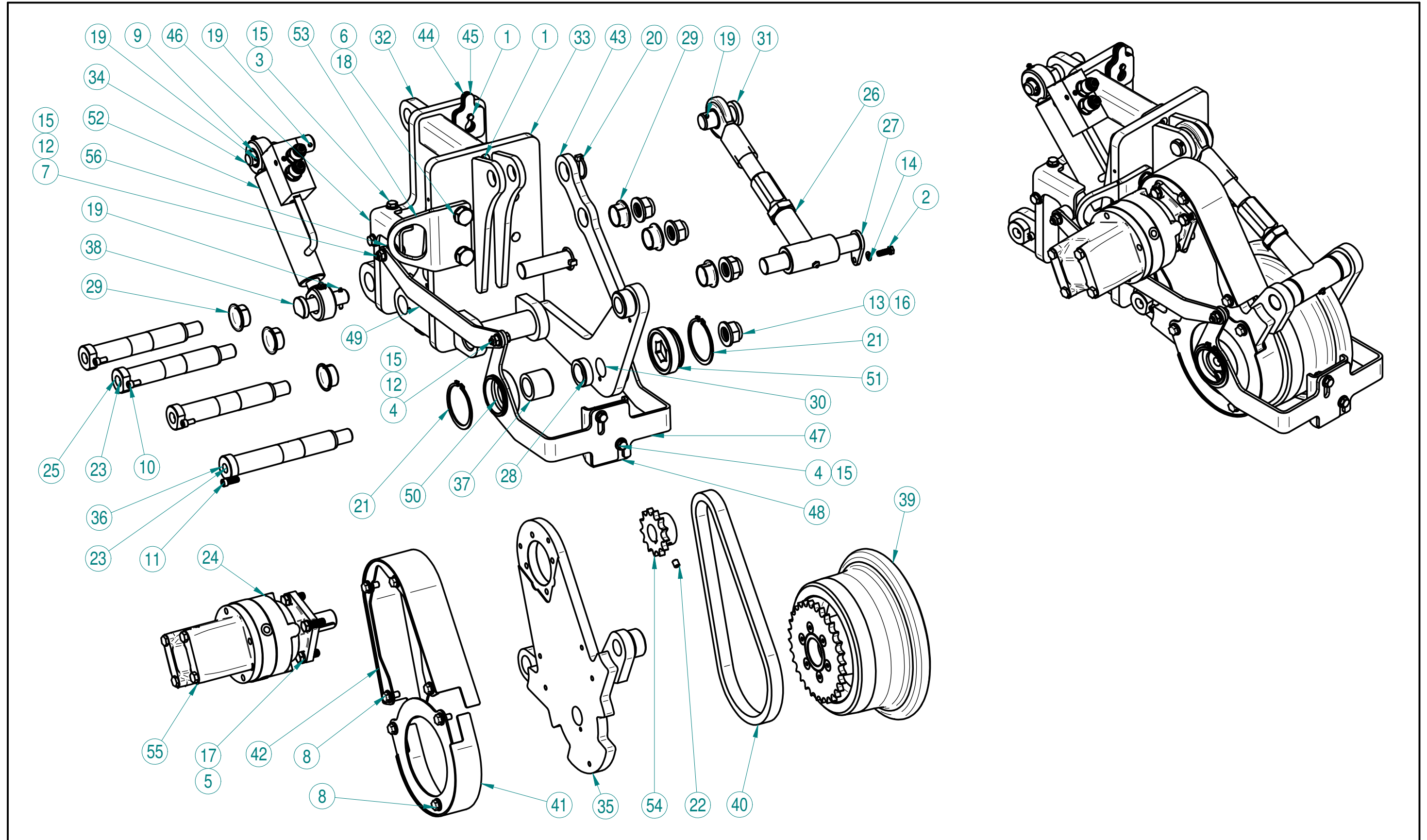
Pos	Pcs	Title	Description	Item no:
39	1	Chain		5003934
40	1	Cover low er		5003953
41	1	Cover upper		5003960
42	1	Support		5003964
43	2	Shim 2mm		5006875
44	2	Shim 4mm		5006876
45	1	Bracket Rail Guard		5009687
46	1	Bracket 250 Rail Guard		5009688
47	1	Rail cleaner		5009890
48	1	Support Rail Guard		5009894
49	1	Wheel attachment outer Rail Guard		5009895
50	1	Wheel attachment inner Rail Guard		5009897
51	1	Hydraulic cylinder		5009901
52	1	Ear		5009905
53	1	Cog w heel		593159
54	1	Hydraulic motor		MSS 125P

Item no: **5003892**

Title: Hjulställ drift komp. (filtersida)

Revision: **H**

Spare part view



Item no: **5003892**  
 Revision: **H**

Title: **Hjulst ll drift komp. (filtersida)**  
 Title: Wheel tilt propelled

### Part list

Pos	Pcs	Title	Description	Item no:
1	2	Screw		100033
2	1	Screw		102057
3	2	Screw		102079
4	4	Screw		102080
5	4	Screw		102104
6	2	Screw		102199
7	1	Screw		103070
8	7	Screw		109125
9	1	Spacer		110-0217
10	4	Screw		113042
11	1	Screw		113046
12	2	Nut		130005
13	4	Nut		130012
14	1	Washer		137005
15	8	Washer		137007
16	4	Washer		137017
17	4	Washer		142009
18	2	Washer		142015
19	4	Cotter pin		147143
20	2	Ring pin		148003
21	2	Clip		151072
22	1	Screw		154073
23	4	Grease nipple		157306
24	1	Hydraulic brake		202514
25	3	Shaft		30807212
26	1	Wheel link		31900451
27	1	Shaft		31900455
28	1	Spacer inner		40720131
29	6	Bushing		411017
30	1	Wheel bracket		31900454
31	1	Shaft		5000586
32	1	Tilting bracket		5003875
33	1	Wheel tilt		5003882
34	1	Shaft		5003887
35	1	Wheel bracket		5003895
36	1	Shaft		5003897
37	1	Spacer outer		5003898
38	1	Shaft		5003899

Item no: **5003892**  
 Revision: **H**

Title: **Hjulst ll drift komp. (filtersida)**  
 Title: Wheel tilt propelled

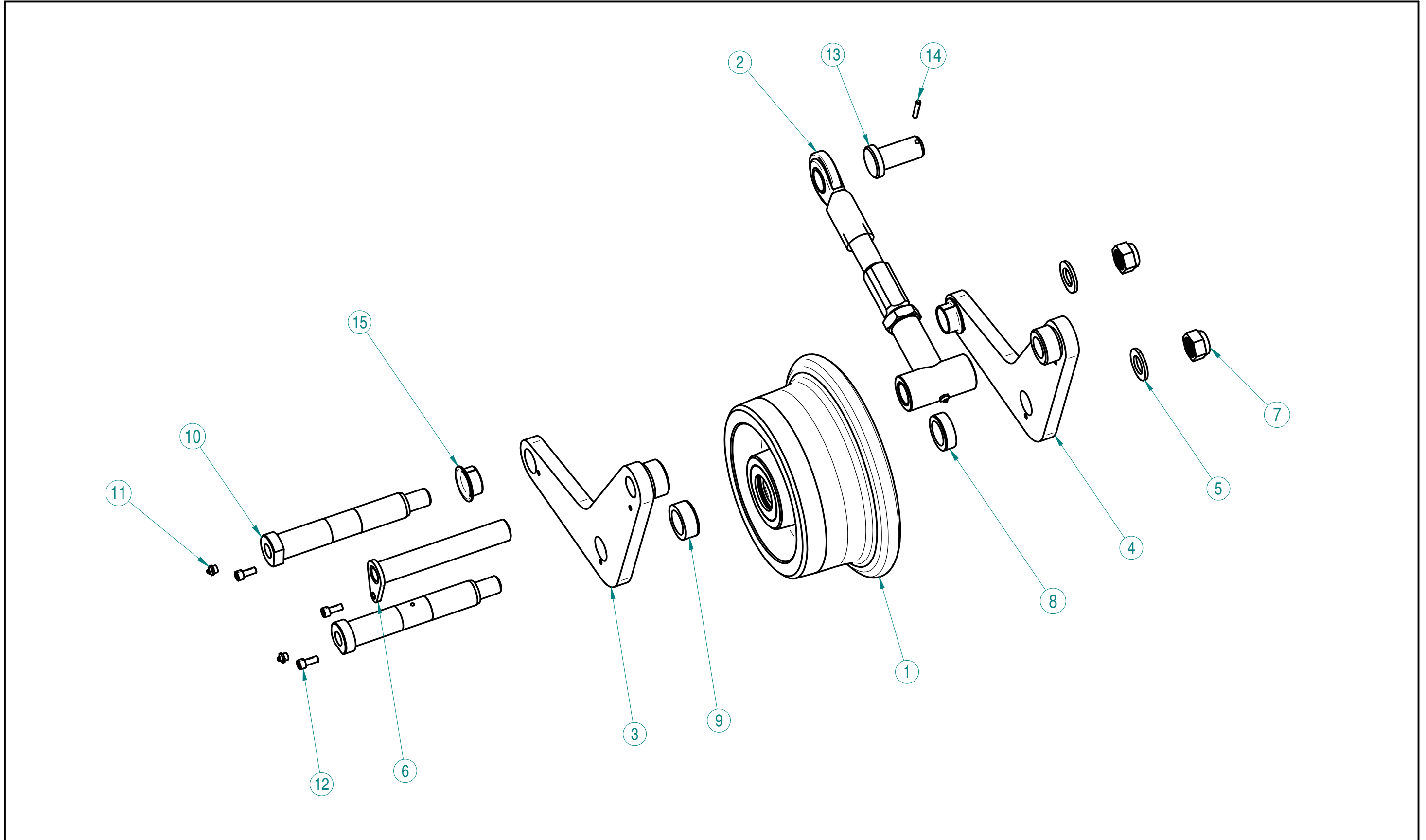
### Part list

Pos	Pcs	Title	Description	Item no:
39	1	Wheel 250 comp. w cog w heel		5003902
40	1	Chain		5003934
41	1	Cover low er		5003953
42	1	Cover upper		5003960
43	1	Support		5003964
44	2	Shim 2mm		5006875
45	2	Shim 4mm		5006876
46	1	Bracket Rail Guard		5009687
47	1	Bracket 250 Rail Guard		5009688
48	1	Rail cleaner		5009890
49	1	Support Rail Guard		5009894
50	1	Wheel attachment outer Rail Guard		5009895
51	1	Wheel attachment inner Rail Guard		5009897
52	1	Hydraulic cylinder		5009901
53	1	Ear		5009905
54	1	Cog w heel		593159
55	1	Hydraulic motor		MSS 125P
56	1	Spacer		5009892

Item no: **5010197**  
Revision: **A**

Title: Hjulställ

Spare part view



Item no: **5010197**  
 Revision: **A**

Title: **Hjulst ll**  
 Title: Wheel arrangement

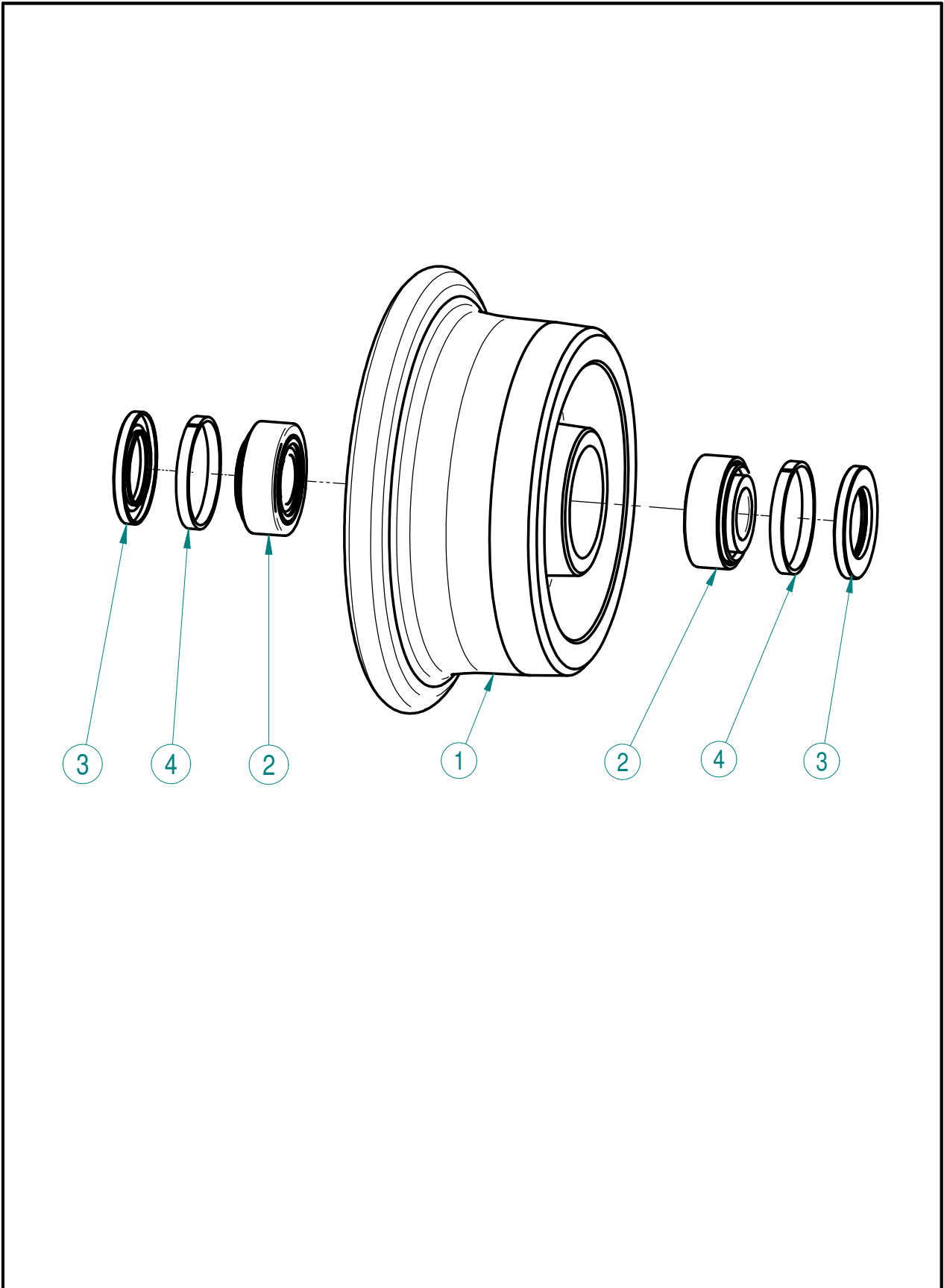
### Part list

Pos	Pcs	Title	Description	Item no:
1	1	Rail w heel D250 w bearing kit		30800250
2	1	Wheel link assy		31900451
3	1	Wheel attachment		5000585
4	1	Wheel attachment		31900454
5	2	Washer		137017
6	1	Shaft		31900455
7	2	Locking nut		130012
8	1	Spacer inner		40720131
9	1	Spacer outer		40720130
10	2	Shaft		30807212
11	2	Grease nipple		157306
12	3	Screw		113044
13	1	Shaft		5000586
14	1	Pin		147143
15	2	Bushing		411017

Item no: **30800250**  
Revision: **D**

Title: Rälshjul D250 m lagersats

**Spare part view**





Item no: **30800250**  
Revision: **D**

Title: **Rälshjul D250 m lagersats**  
Title: Rail wheel

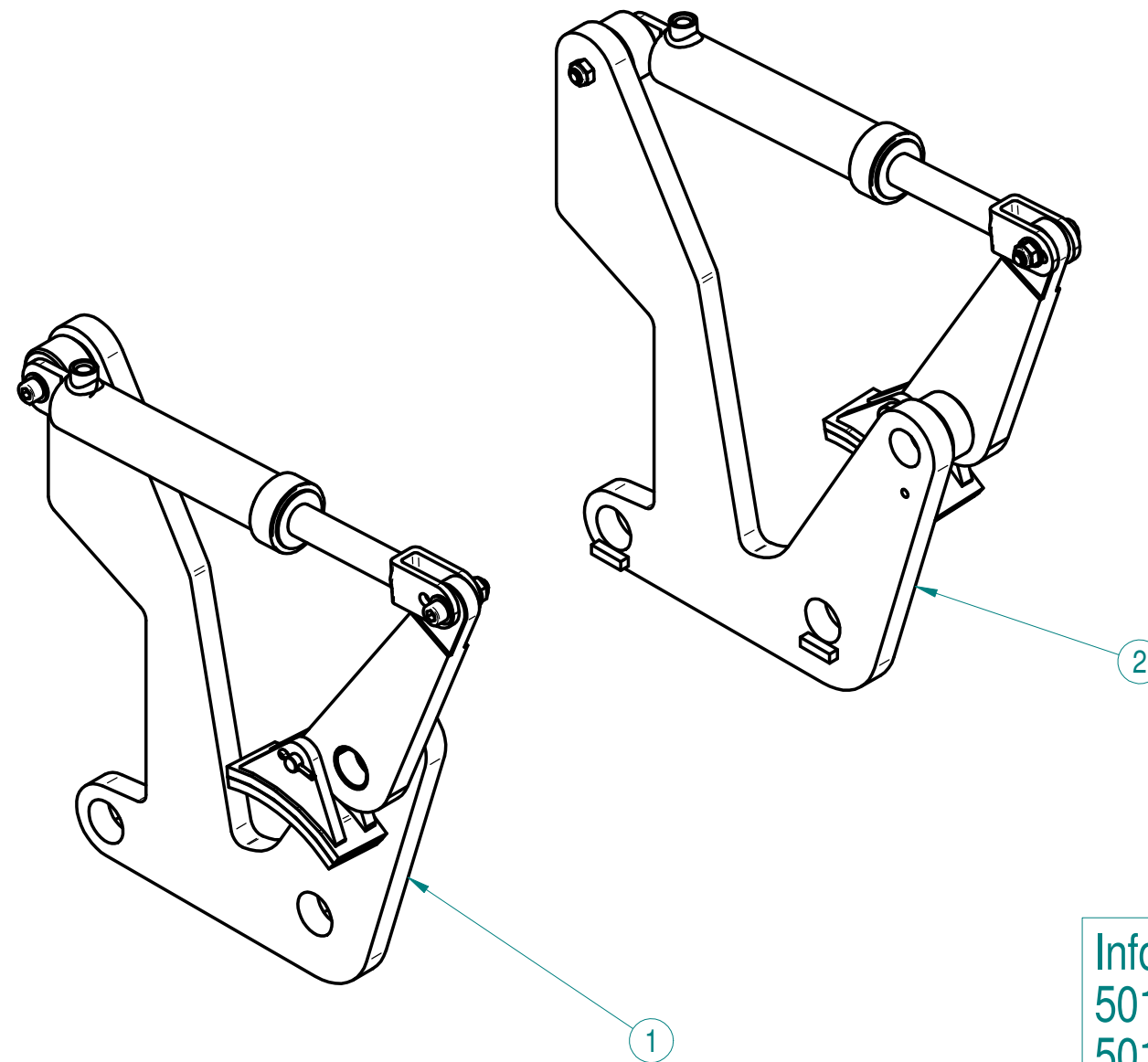
### Part list

Pos	Pcs	Title	Description	Item no:
1	1	Rail w heel Ø 250		3080-7208
2	2	Tapered roller bearings 32307 J2/Q		400003
3	2	Radial sealing / Oil seal RSC		405011
4	2	Spacer ring		5003081

Item no: **5002262**  
Revision: **A**

Title: Bromssats

Spare part view



Information about pipes and hoses, see drawings:  
5010557  
5010558 G=1000, G=1067  
5010559 G=1435  
5010560 G=1520  
5010561 G=1600

Item no: **5002262**  
Revision: **A**

Title: **Bromssats**  
Title: Brakes

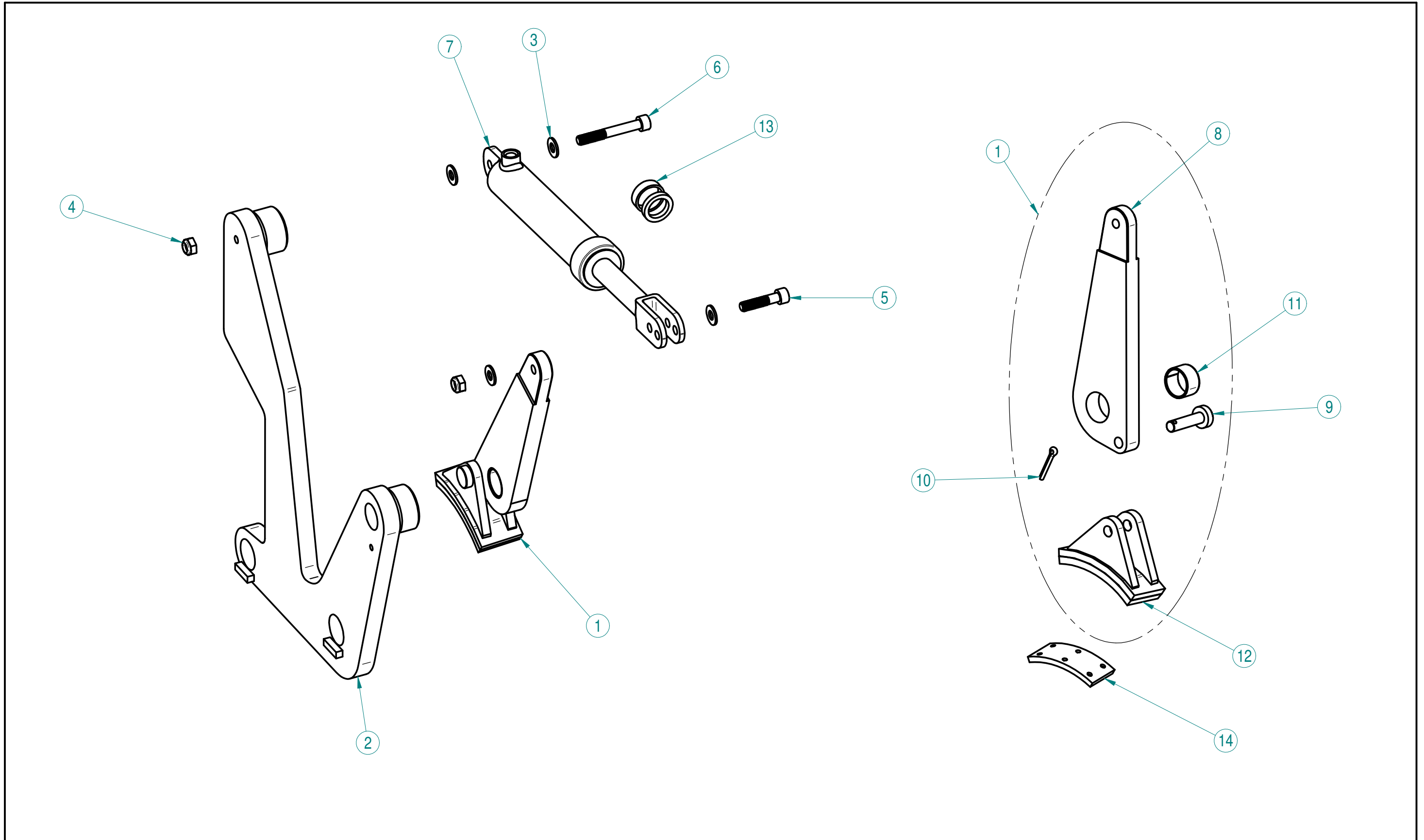
### Part list

Pos	Pcs	Title	Description	Item no:
1	1	Brake right		5002265
2	1	Brake left		5002499

Item no: **5002499**  
Revision: **B**

Title: Broms

Spare part view



Item no: **5002499**  
 Revision: **B**

Title: **Broms**  
 Title: Brake

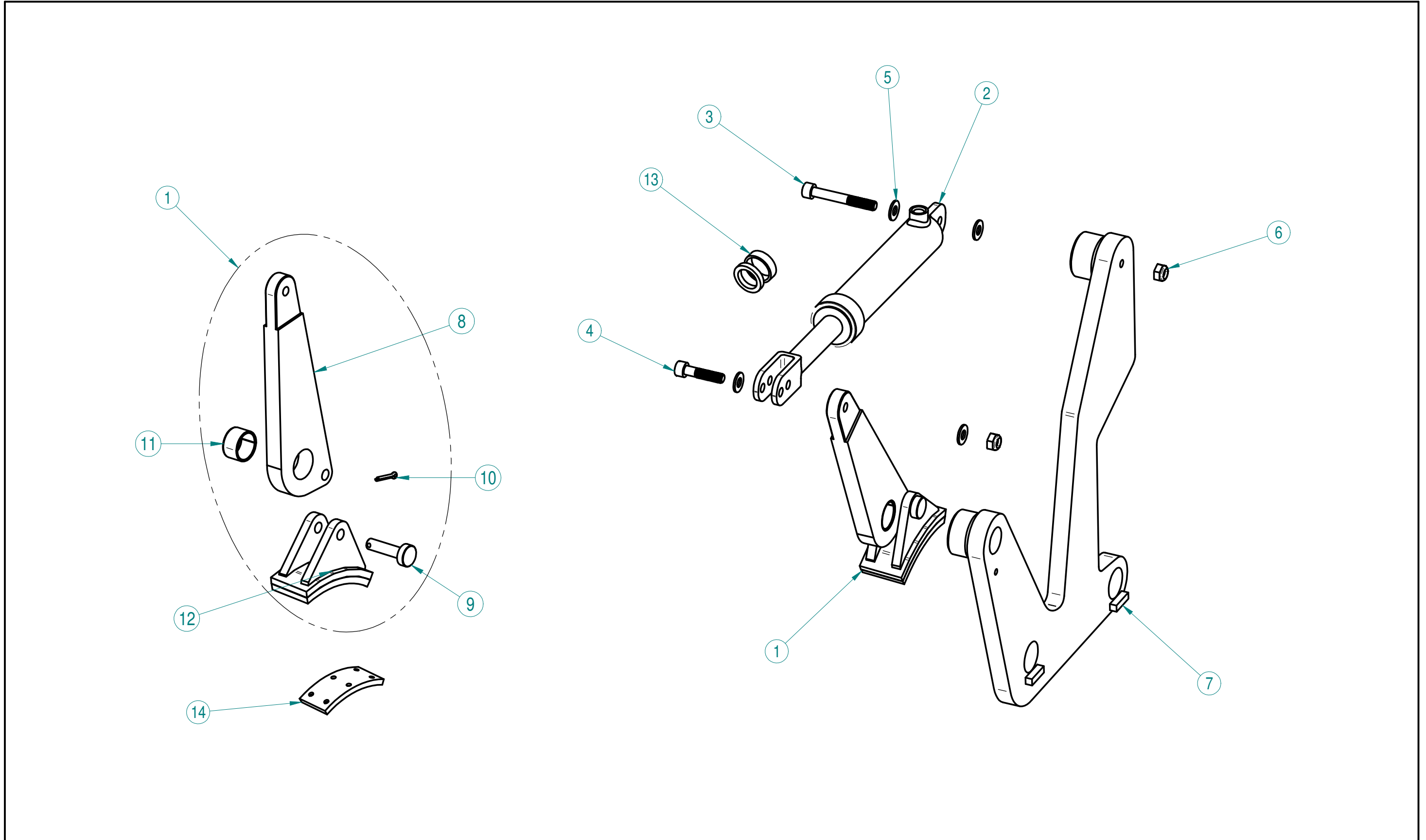
### Part list

Pos	Pcs	Title	Description	Item no:
1	1	Brake arm assy		5002501
2	1	Brake cylinder 35x25		200044
3	1	Screw		116091
4	1	Screw		116085
5	4	Washer		137007
6	2	Nut		130005
7	1	Wheel attachment		5002502
8	1	Arm		5002271
9	1	Shaft		5002293
10	1	Split pin		146097
11	1	Bushing		410017
12	1	Brake pad		5005354
13	1	Sealing kit		205043
14	1	Brake shoe		5005356

Item no: **5002265**  
Revision: **C**

Title: **Broms**

**Spare part view**



Item no: **5002265**  
Revision: **C**

Title: **Broms**  
Title: Brake

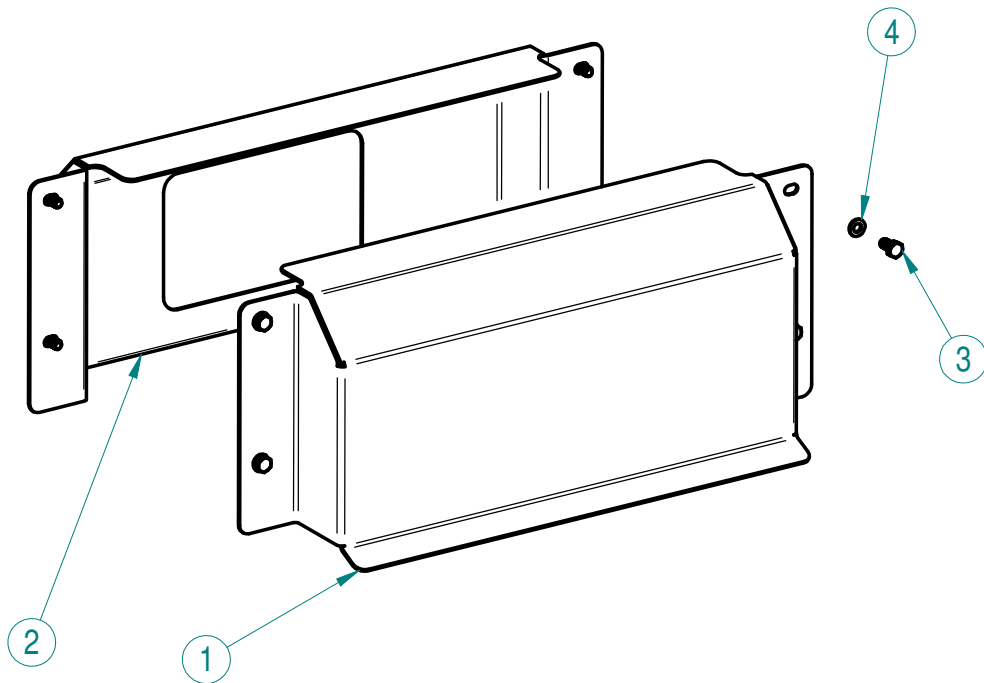
### Part list

Pos	Pcs	Title	Description	Item no:
1	1	Brake arm assy		5002270
2	1	Brake cylinder 35x25		200044
3	1	Screw		116091
4	1	Screw		116085
5	4	Washer		137007
6	2	Nut		130005
7	1	Wheel attachment		5002263
8	1	Arm		5002271
9	1	Shaft		5002293
10	1	Split pin		146097
11	1	Bushing		410017
12	1	Brake pad		5005354
13	1	Sealing kit		205043
14	1	Brake shoe		5005356

Item no: **5010380**  
Revision: **A**

Title: Skyddsplåtar

Spare part view





Item no: **5010380**  
Revision: **A**

Title: **Skyddsplåtar**  
Title: Cover

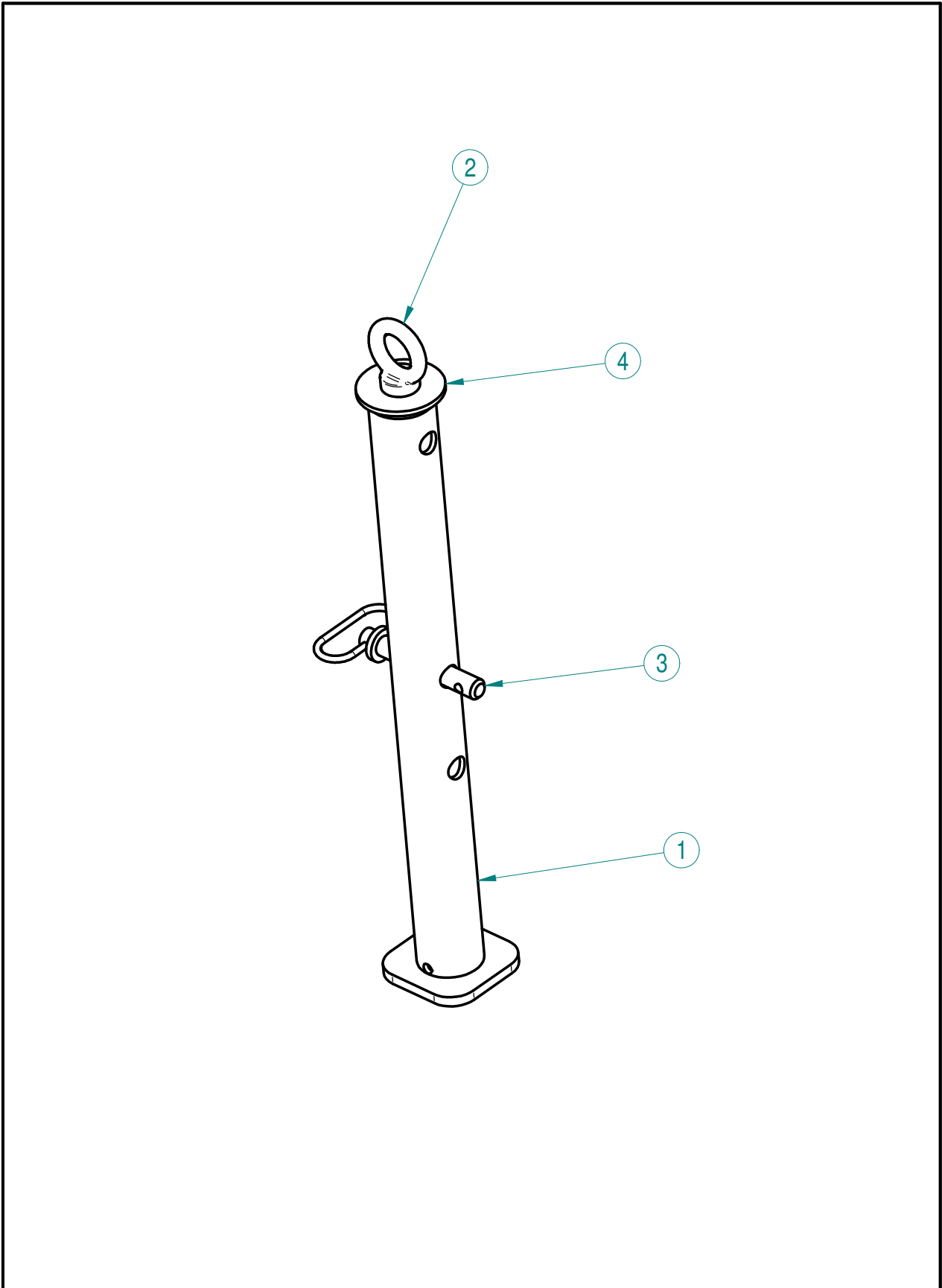
### Part list

Pos	Pcs	Title	Description	Item no:
1	1	Cover, filtre side		5005386
2	1	Cover		5010381
3	8	Screw		102053
4	8	Washer		137005

Item no: **41900150**  
Revision: **E**

Title: **Stödben**

**Spare part view**



Item no: **41900150**  
Revision: **E**

Title: **Stödben**  
Title: Support leg

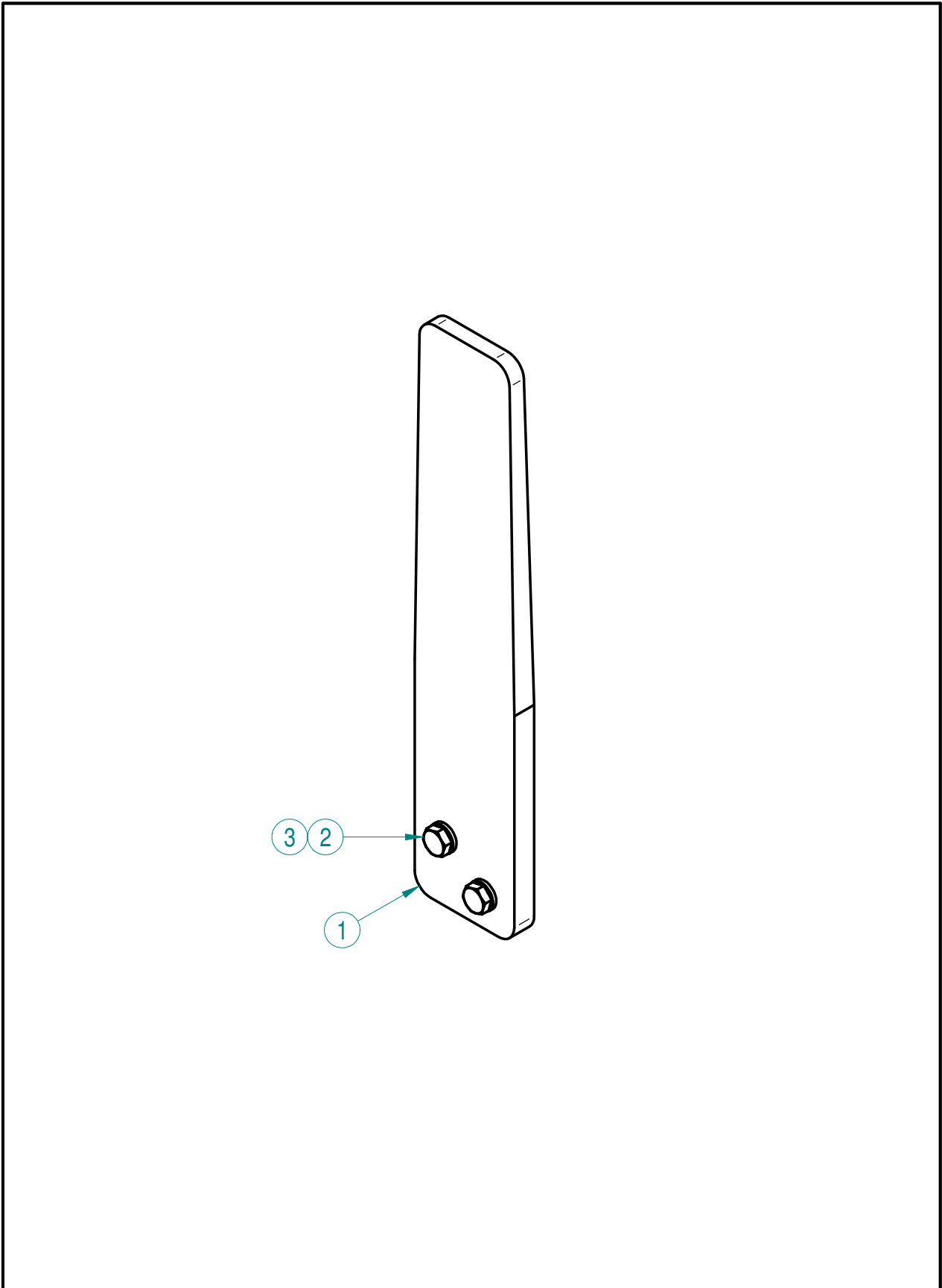
### Part list

Pos	Pcs	Title	Description	Item no:
1	1	Support leg		31900155
2	1	Lifting eye		160017
3	1	Pin w chain		157001
4	1	Washer		5009438

Item no: **5010813**  
Revision: **A**

Title: Lampfäste kompl.

Spare part view



Item no: **5010813**  
Revision: **A**

Title: **Lampfäste kompl.**  
Title: Lightning bracket

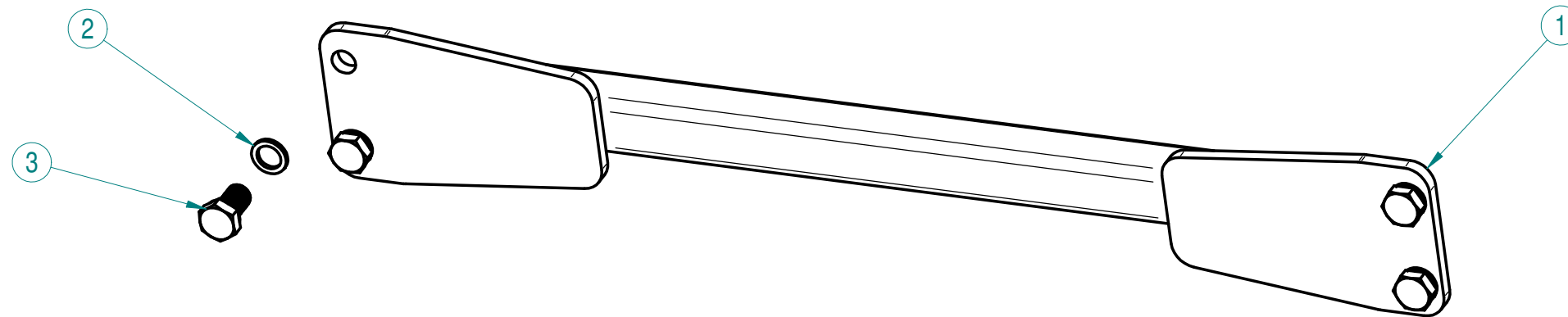
### Part list

Pos	Pcs	Title	Description	Item no:
1	1	Lightning bracket		5010174
2	2	Screw		102034
3	2	Washer		137003

Item no: **5005306**  
Revision: **B**

Title: P-stag hjultilt G1000

Spare part view



Item no: **5005306**  
Revision: **B**

Title: **P-stag hjultilt G1000**  
Title: Parallell arm 1000mm

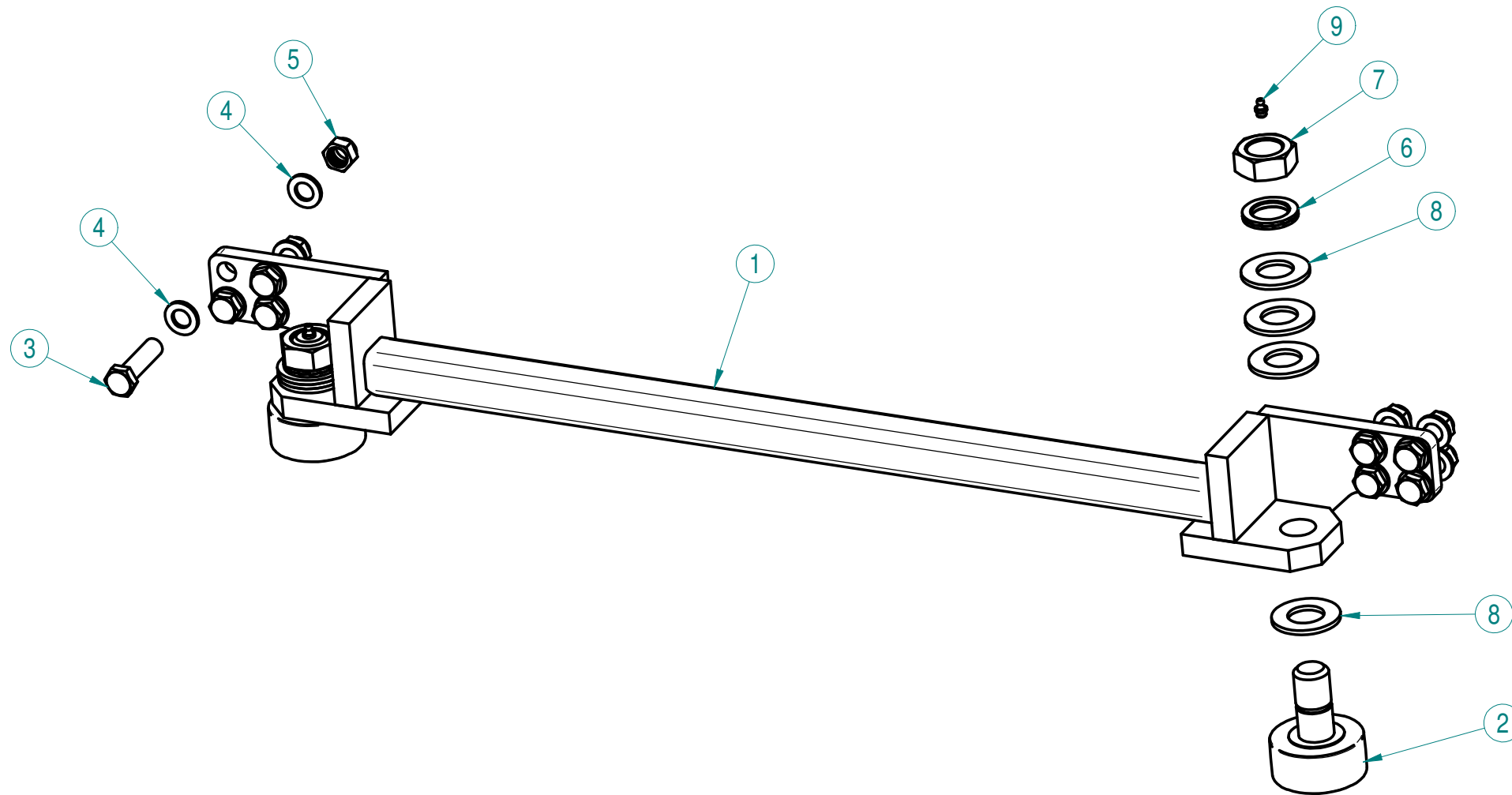
### Part list

Pos	Pcs	Title	Description	Item no:
1	1	Parallell arm 1000mm		5005306
2	4	Washer		142015
3	4	Screw		106131

Item no: **5005336**  
Revision: **A**

Title: Guiding roller balk

Spare part view





Item no: **5005336**  
Revision: **A**

Title: **Guiding roller balk**  
Title: \_\_

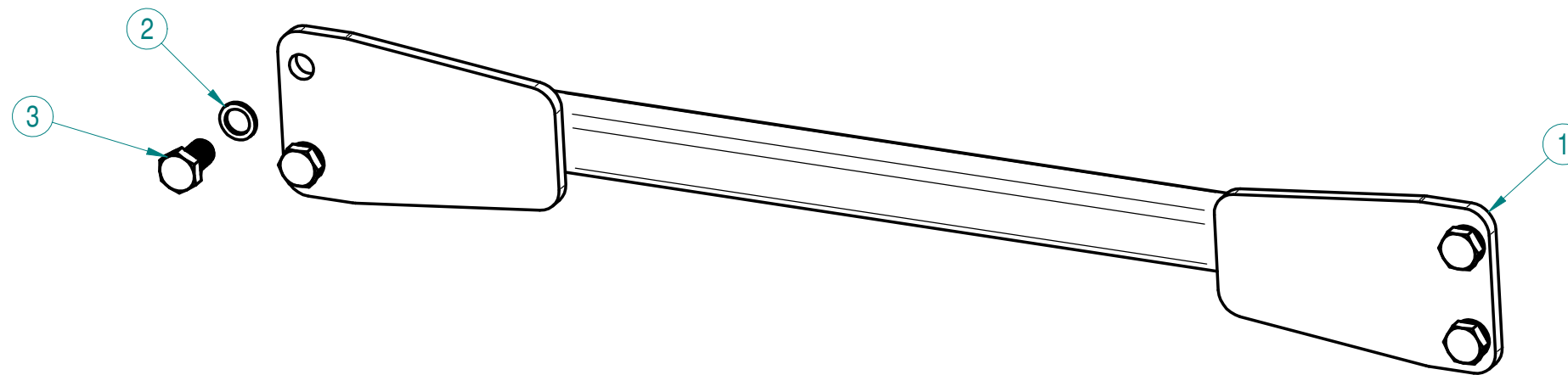
### Part list

Pos	Pcs	Title	Description	Item no:
1	1	Beam 1000mm		5005337
2	2	Bearing		400016
3	8	Screw		103161
4	16	Washer		137012
5	8	Nut		130008
6	2	Washer		142021
7	2	Nut		134539
8	8	Washer		139577
9	2	Grease nipple		157341

Item no: **5009071**  
Revision: **A**

Title: P-stag hjultilt G1067

Spare part view



Item no: **5009071**  
Revision: **A**

Title: **P-stag hjultilt G1067**  
Title: Parallell arm 1067mm

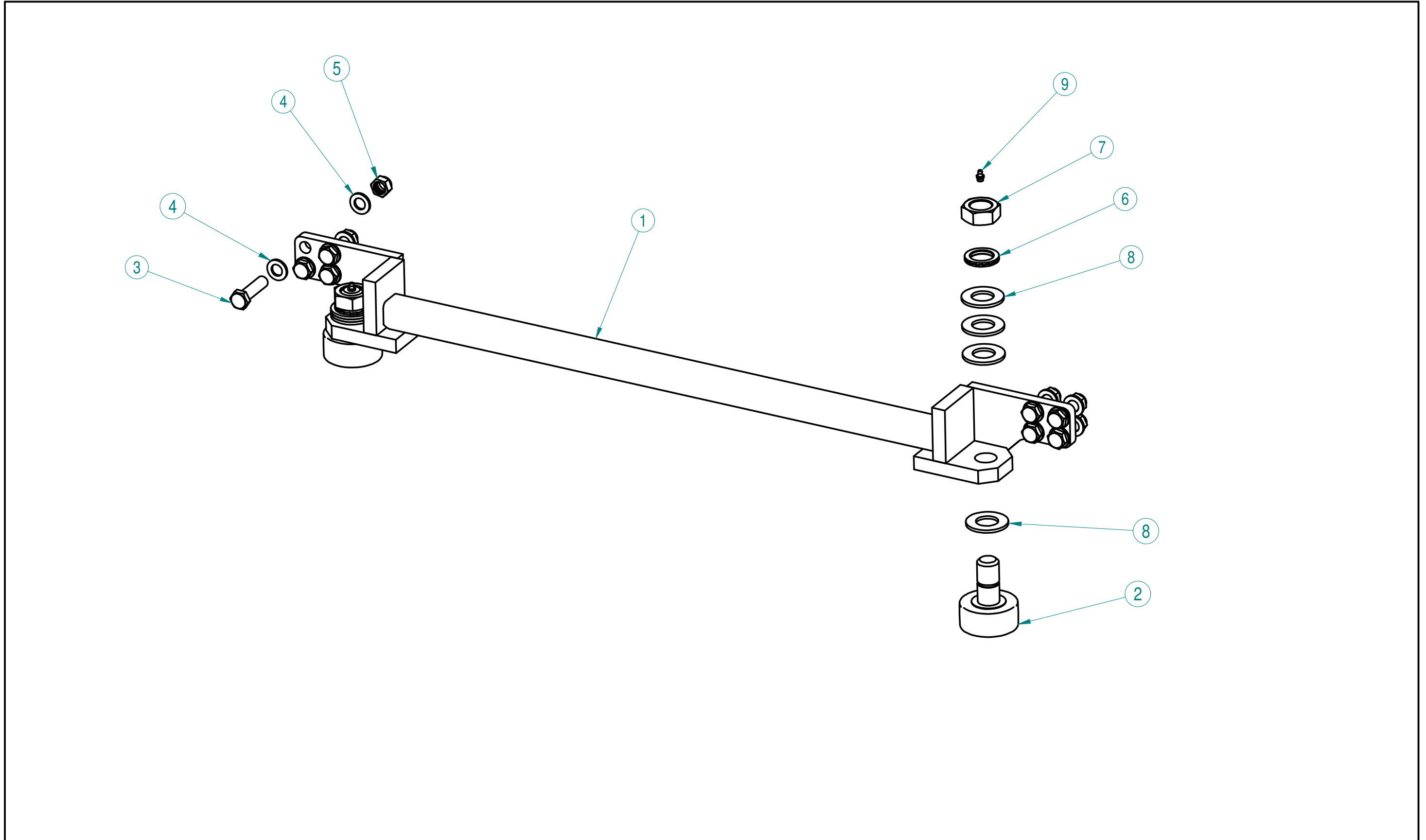
### Part list

Pos	Pcs	Title	Description	Item no:
1	1	Parallell arm 1067mm		5009071
2	4	Washer		142015
3	4	Screw		106131

Item no: **5009073**  
Revision: **A**

Title: Guiding roller balk

Spare part view



Item no: **5009073**  
Revision: **A**

Title: **Guiding roller balk**  
Title: \_

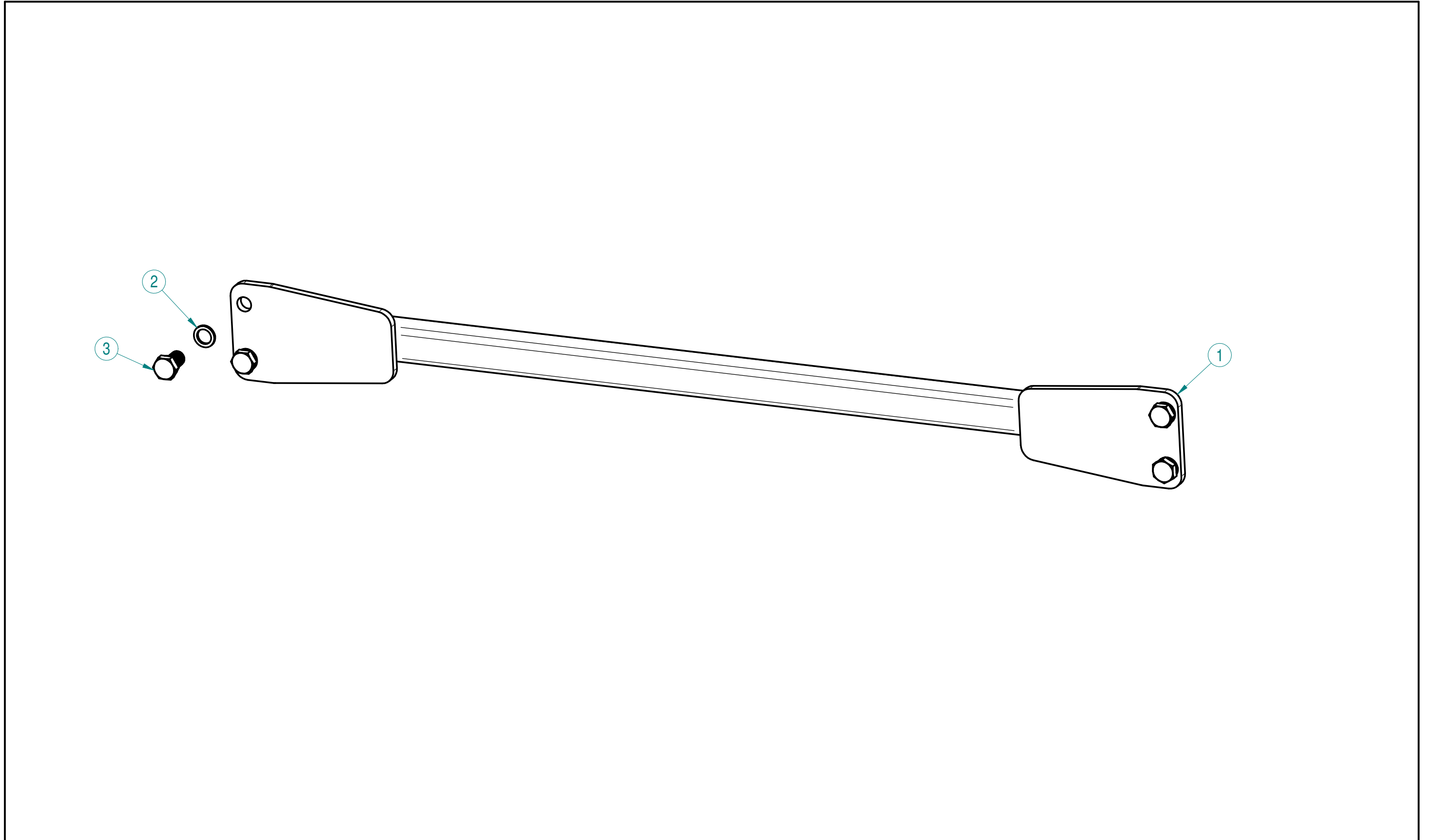
### Part list

Pos	Pcs	Title	Description	Item no:
1	1	Beam 1067mm		5009074
2	2	Bearing		400016
3	8	Screw		103161
4	16	Washer		137012
5	8	Nut		130008
6	2	Washer		142021
7	2	Nut		134539
8	8	Washer		139577
9	2	Grease nipple		157341

Item no: **5003903**  
Revision: **B**

Title: P-stag hjultilt G1435

Spare part view



Item no: **5003903**  
Revision: **B**

Title: **P-stag hjultilt G1435**  
Title: Parallell arm 1435mm

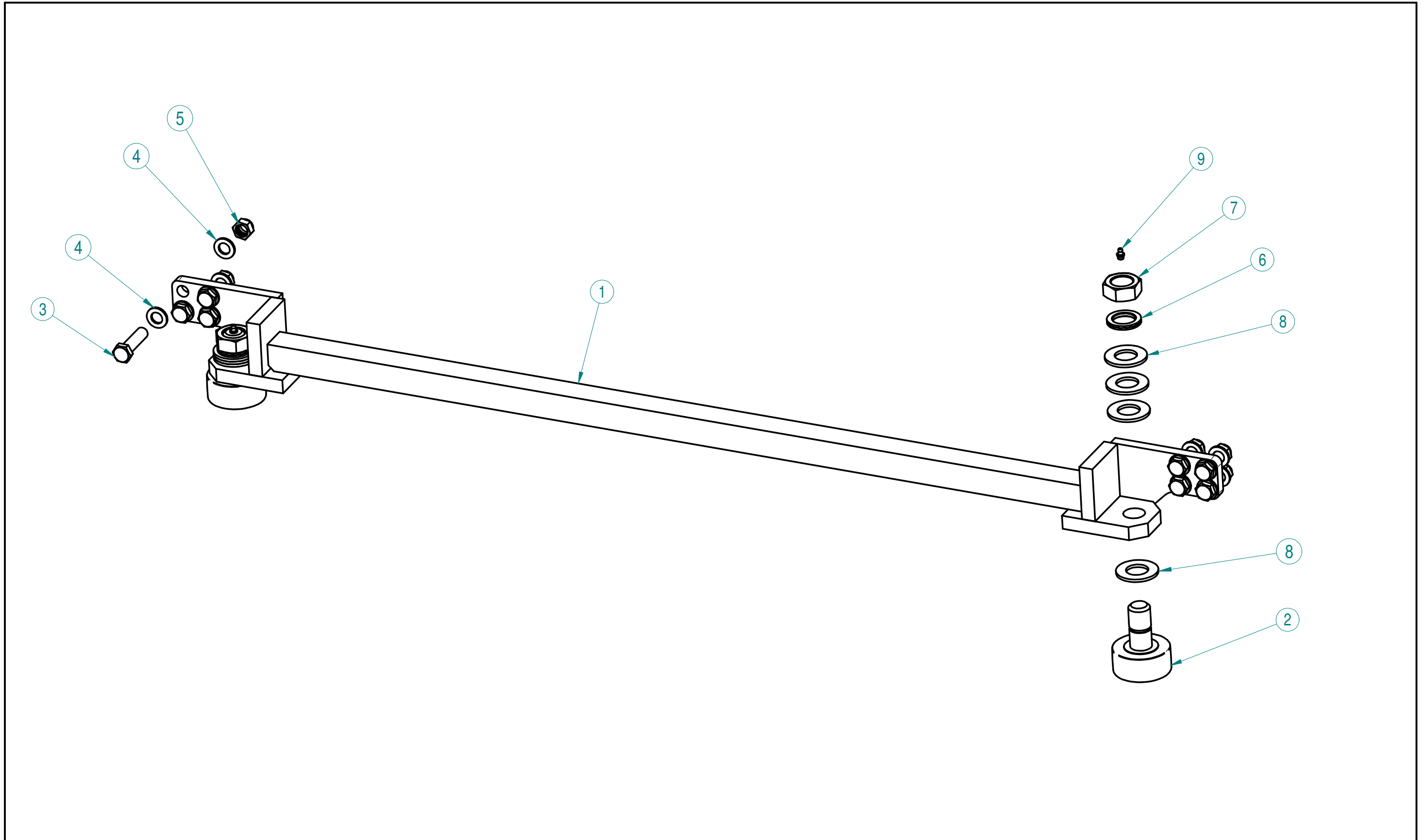
### Part list

Pos	Pcs	Title	Description	Item no:
1	1	Parallell arm 1435mm		5003903
2	4	Washer		142015
3	4	Screw		106131

Item no: **5003949**  
Revision: **A**

Title: Guiding roller balk

Spare part view





Item no: **5003949**  
Revision: **A**

Title: **Guiding roller balk**  
Title: \_\_

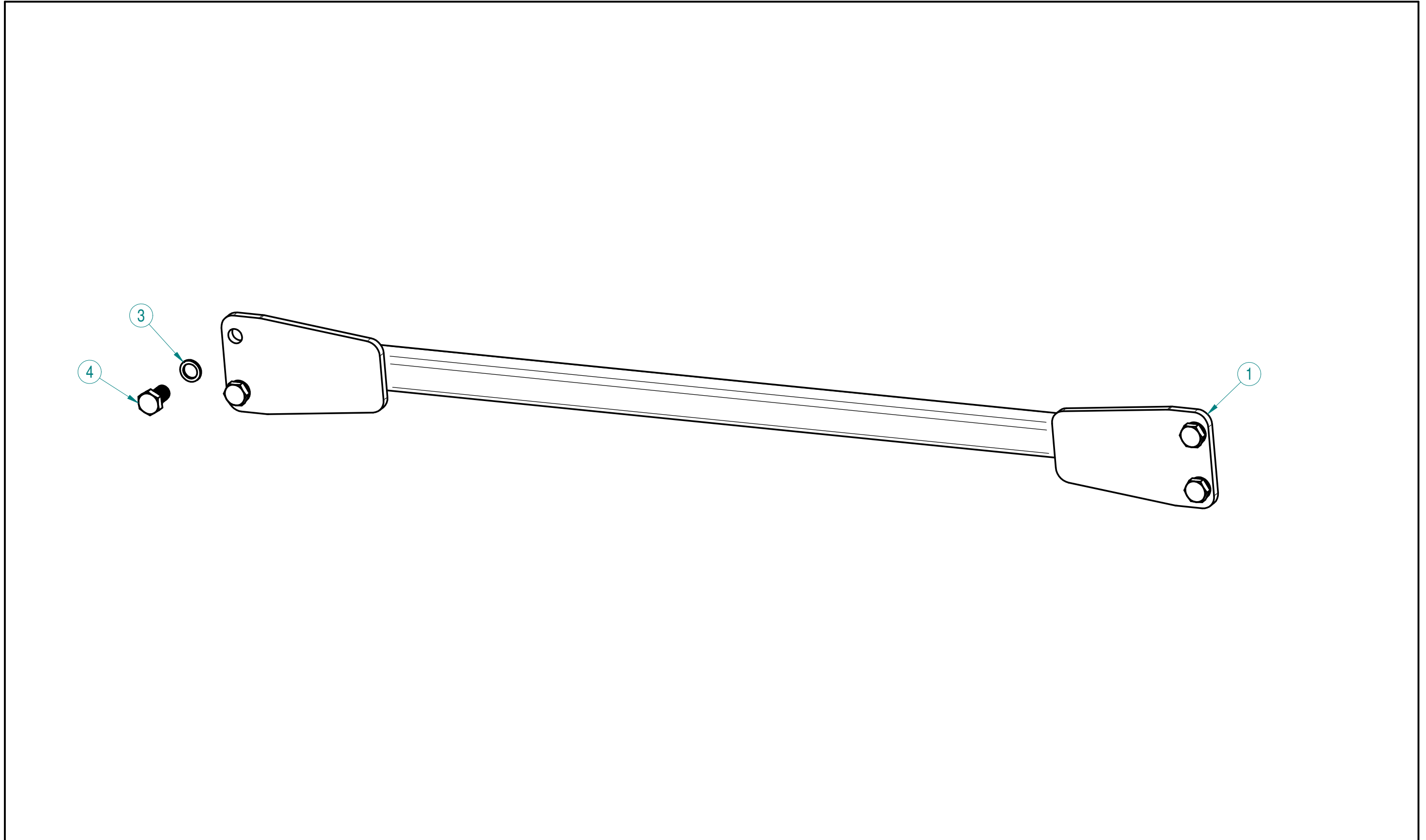
### Part list

Pos	Pcs	Title	Description	Item no:
1	1	Beam 1435mm		5004337
2	2	Bearing		400016
3	8	Screw		103161
4	16	Washer		137012
5	8	Nut		130008
6	2	Washer		142021
7	2	Nut		134539
8	8	Washer		139577
9	2	Grease nipple		157341

Item no: **5010739**  
Revision: **A**

Title: P-stag hjultilt 1520 mm

Spare part view



Item no: **5010739**  
Revision: **A**

Title: **P-stag hjultilt 1520 mm**  
Title: Parallell arm 1520mm

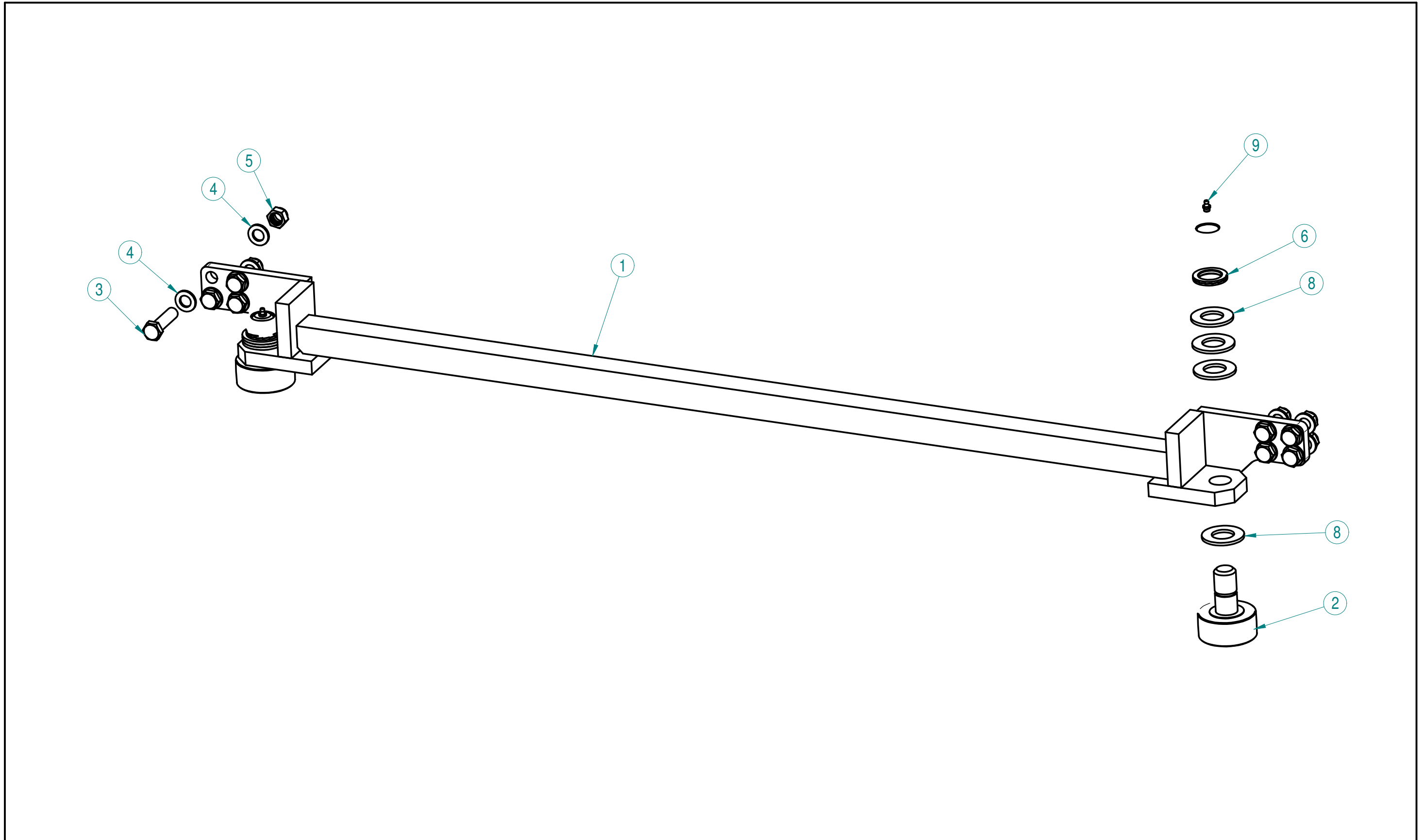
### Part list

Pos	Pcs	Title	Description	Item no:
1	1	Parallell arm 1520mm		5010739
2	4	Washer		142015
3	4	Screw		106131

Item no: **5010736**  
Revision: **A**

Title: Guiding roller balk

Spare part view



Item no: **5010736**  
Revision: **A**

Title: **Guiding roller balk**  
Title: \_\_

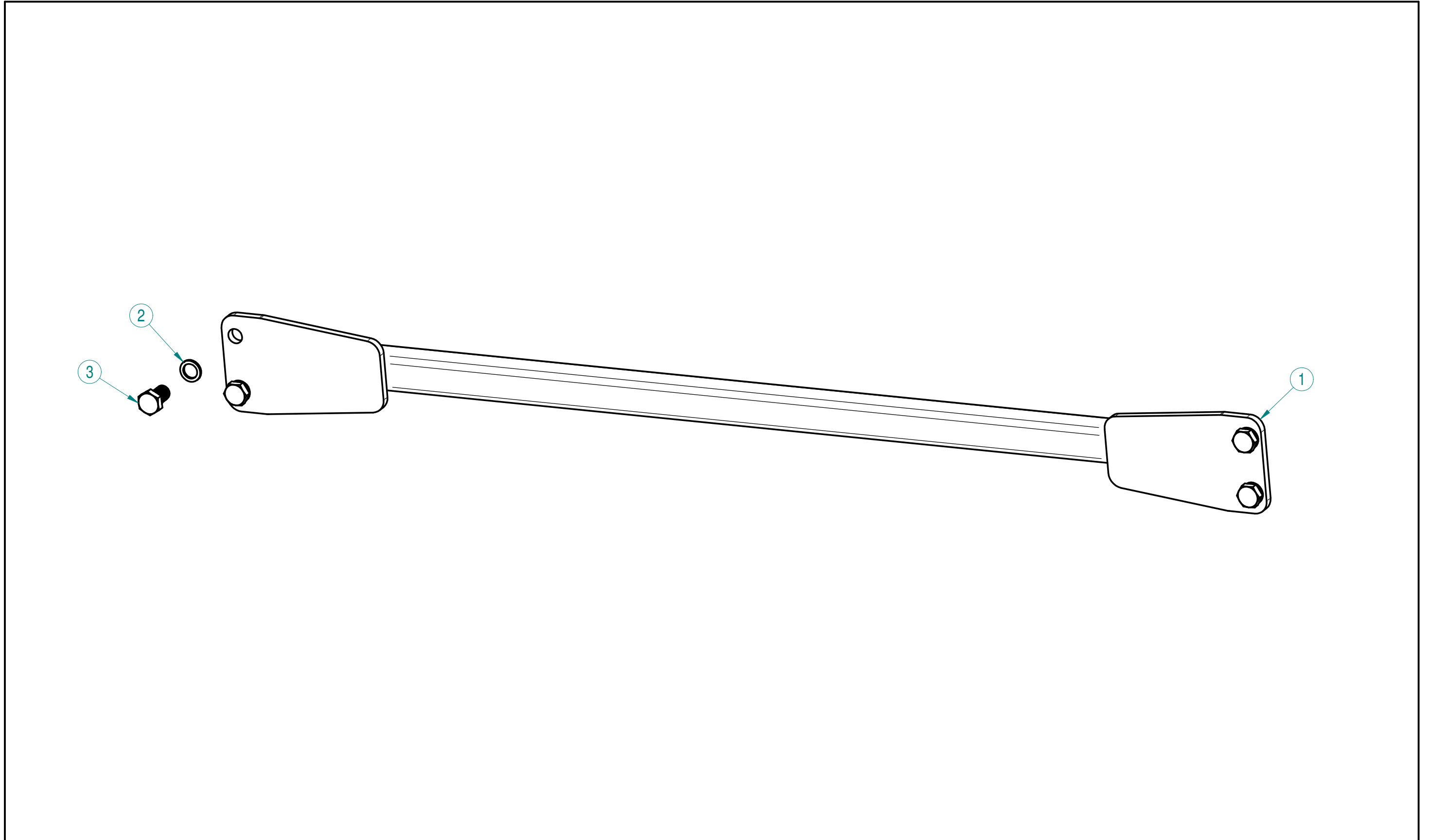
### Part list

Pos	Pcs	Title	Description	Item no:
1	1	Beam 1520mm		5010737
2	2	Bearing		400016
3	8	Screw		103161
4	16	Washer		137012
5	8	Nut		130008
6	2	Washer		142021
7	2	Nut		134539
8	8	Washer		139577
9	2	Grease nipple		157341

Item no: **5004572**  
Revision: **B**

Title: P-stag hjultilt 1600 mm

Spare part view



Item no: **5004572**  
Revision: **B**

Title: **P-stag hjultilt 1600 mm**  
Title: Parallell arm 1600mm

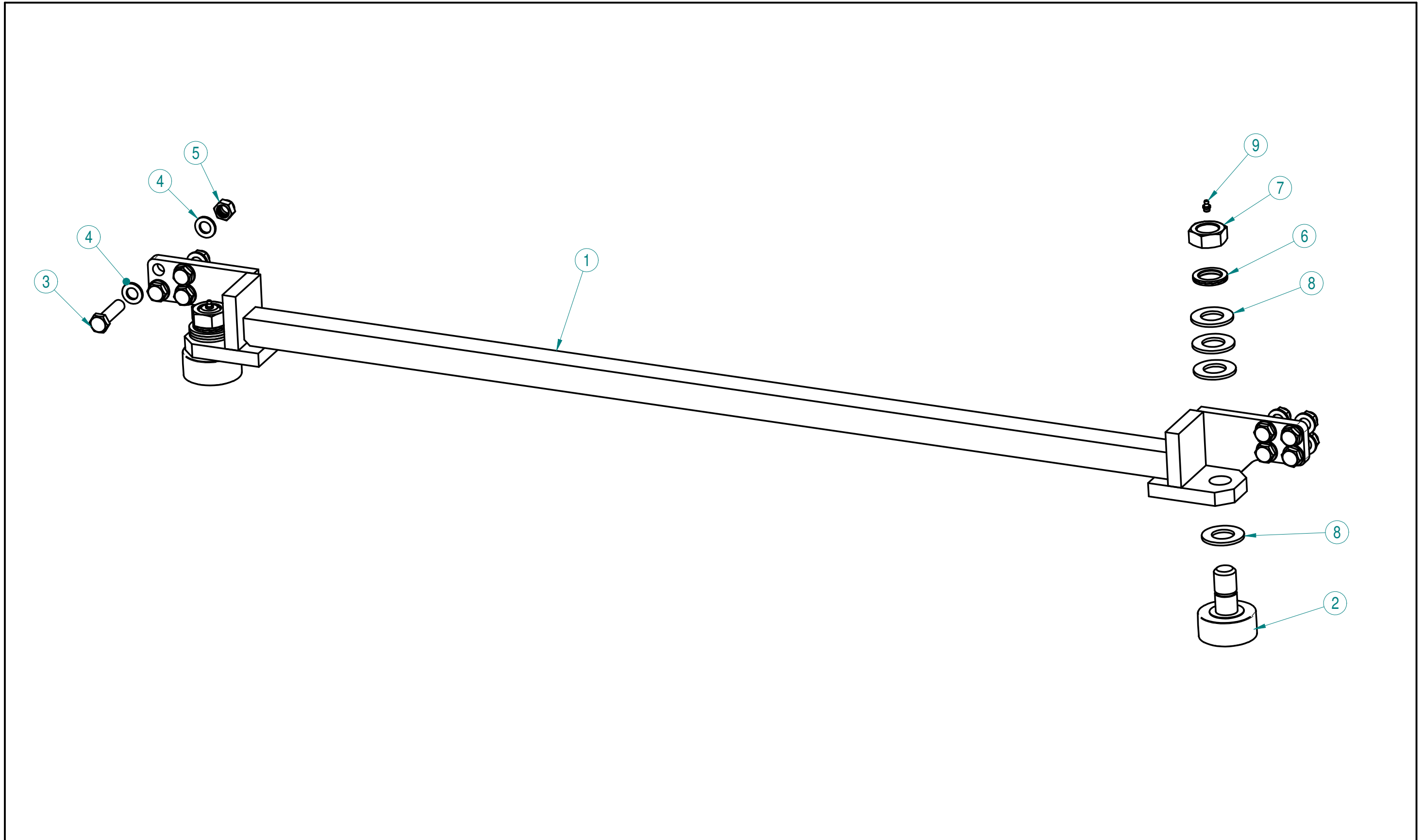
### Part list

Pos	Pcs	Title	Description	Item no:
1	1	Parallell arm 1600mm		5004572
2	4	Washer		142015
3	4	Screw		106131

Item no: **5004573**  
Revision: **A**

Title: Guiding roller balk

Spare part view





Item no: **5004573**  
Revision: **A**

Title: **Guiding roller balk**  
Title: \_\_

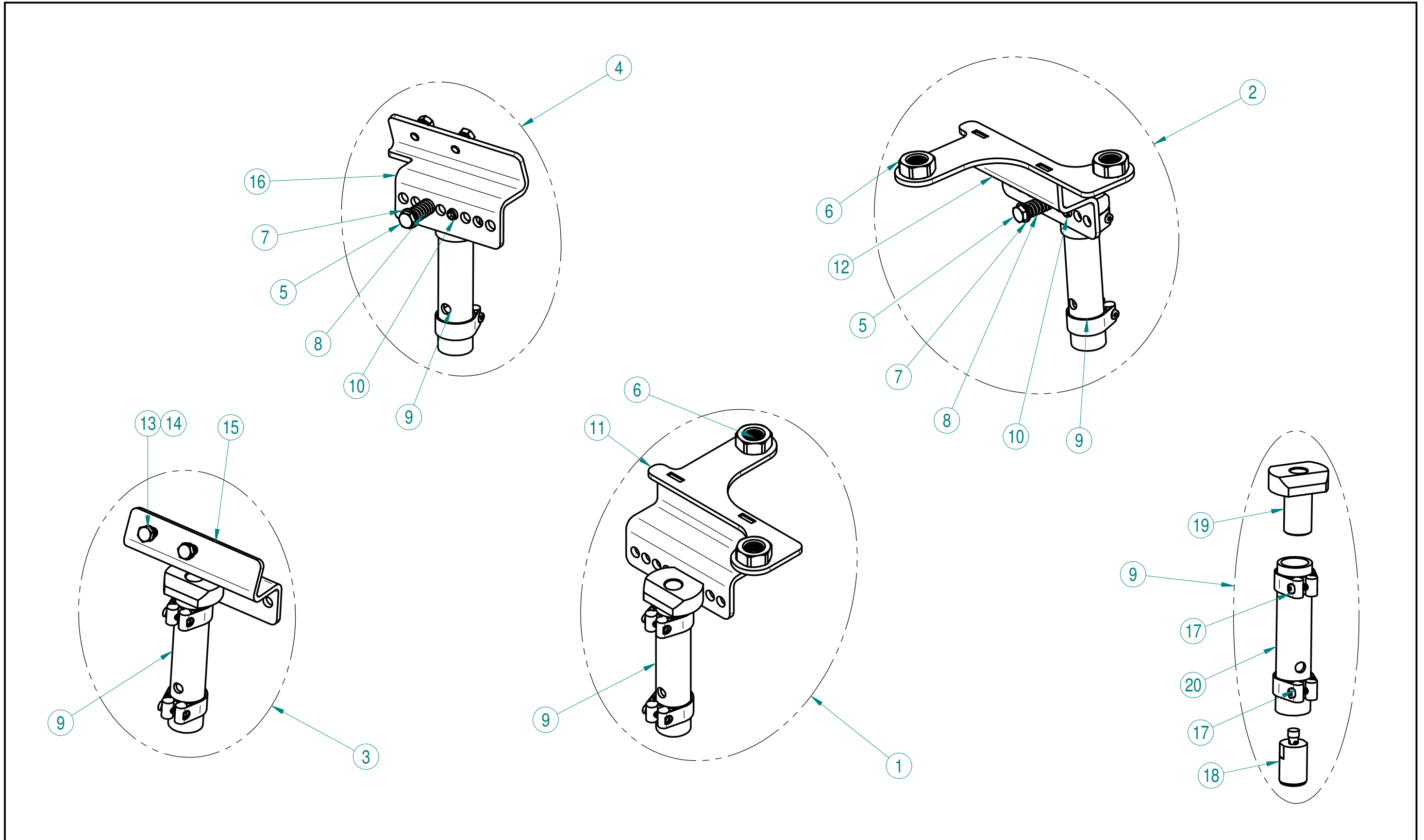
### Part list

Pos	Pcs	Title	Description	Item no:
1	1	Beam 1600mm		5004569
2	2	Bearing		400016
3	8	Screw		103161
4	16	Washer		137012
5	8	Nut		130008
6	2	Washer		142021
7	2	Nut		134539
8	8	Washer		139577
9	2	Grease nipple		157341

Item no: **5002776**  
Revision: **A**

Title: **Automatik CD400**

**Spare part view**



Item no: **5002776**  
 Revision: **A**

Title: **Automatik CD400**  
 Title: Automatic CD400

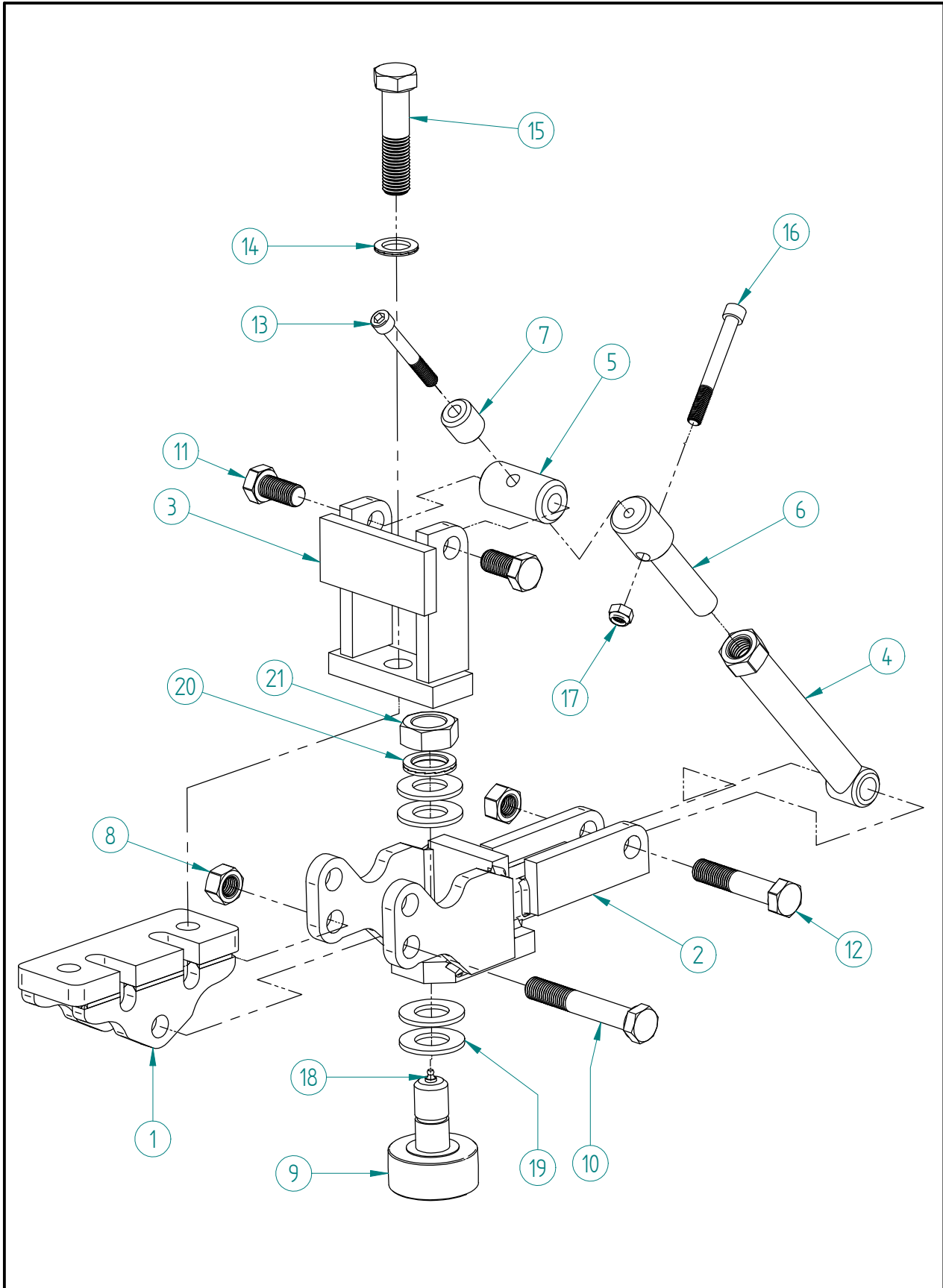
### Part list

Pos	Pcs	Title	Description	Item no:
1	1	Sensor arrangement clipping left		5003843
2	1	Sensor arrangement clipping right		5003844
3	1	Sensor arrangement declipping left		5008483
4	1	Sensor arrangement declipping right		5008502
5	1	Screw		102086
6	2	Nut		129012
7	1	Washer		139007
8	1	Spring		162012
9	1	Sensor bracket		5001866
10	1	Screw		5003842
11	1	Sensor bracket clipping left		5002936
12	1	Sensor bracket clipping right		5002937
13	2	Washer		142007
14	2	Screw		102077
15	1	Sensor bracket declipping left		5008503
15	1	Sensor bracket declipping right		5008484
17	2	Hose clamp		291509
18	1	Inductive sensor		390056
19	1	Hose bracket		5001860
20	1	Hose		5001864

Item no: **5007705**  
 Revision: **A**

Title: **Stödrulle utsida**

**Spare part view**



Item no: **5007705**  
 Revision: **A**

Title: **Stödrulle utsida**  
 Title: Guiding roller

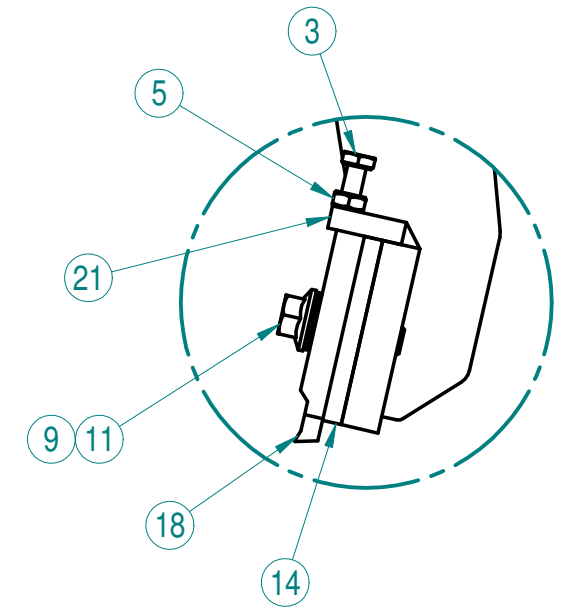
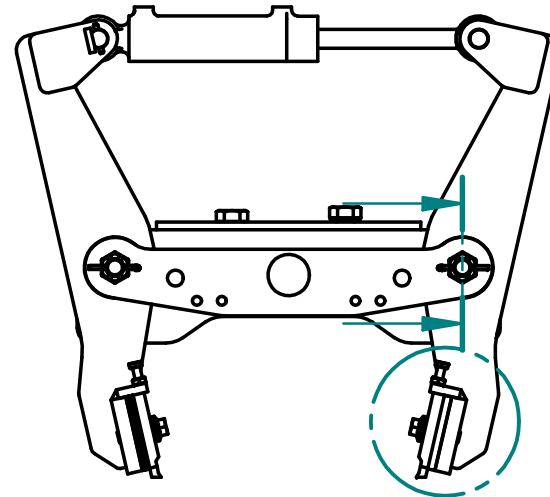
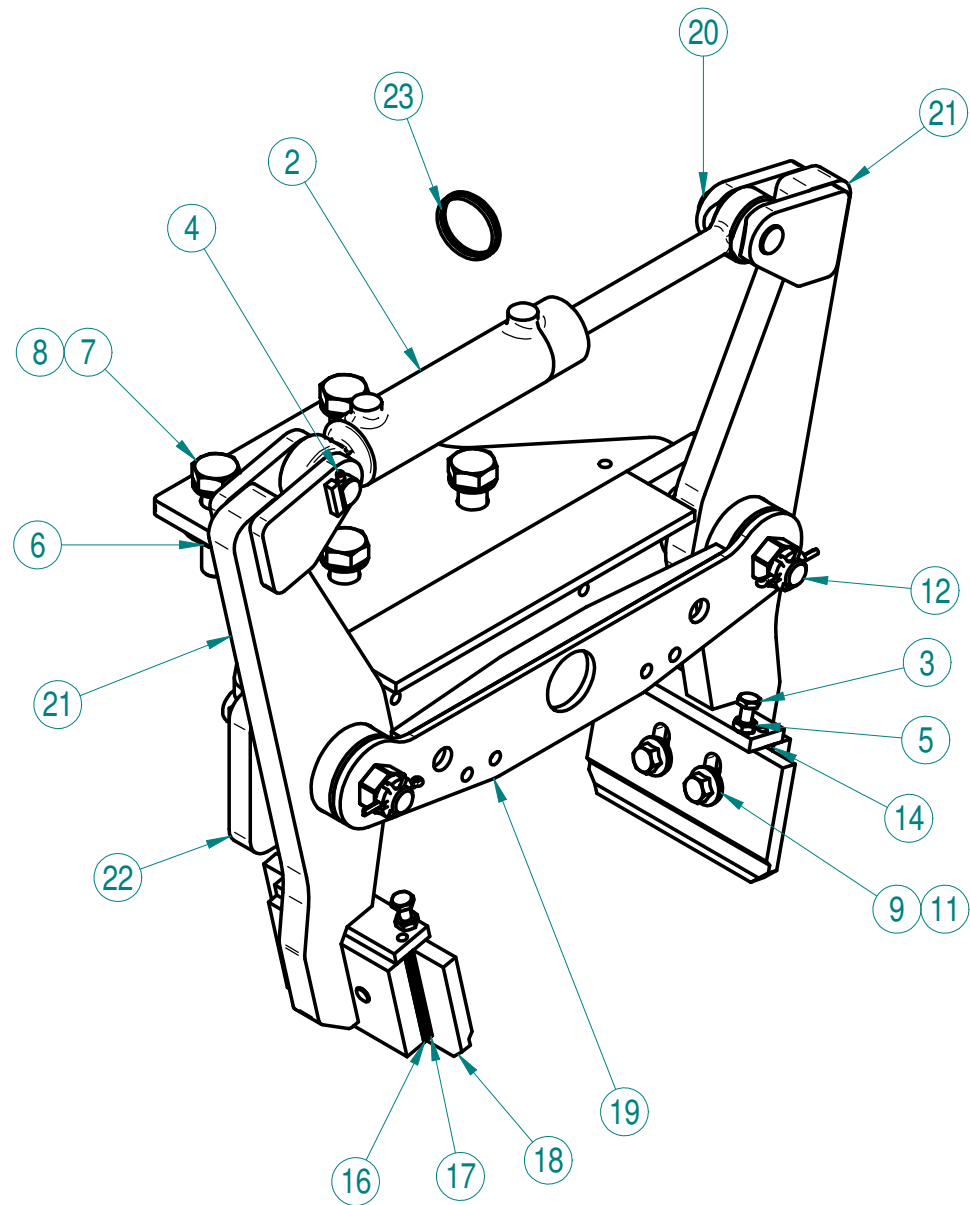
### Part list

Pos	Pcs	Title	Description	Item no:
1	1	Bracket		5007685
2	1	Bracket		5007690
3	1	Bracket		5007688
4	1	Fixed screw		5007695
5	1	Shaft		5007698
6	1	Adjustable screw		5007699
7	1	Spacer		5007701
8	2	Nut		126010
9	1	Bearing		400016
10	1	Screw		103223
11	2	Screw		102199
12	1	Screw		102209
13	1	Screw		116116
14	1	Washer		142017
15	1	Screw		103270
16	1	Screw		116118
17	1	Nut		130006
18	1	Grease nipple		157341
19	4	Washer		139577
20	1	Washer		142021
21	1	Nut		134539

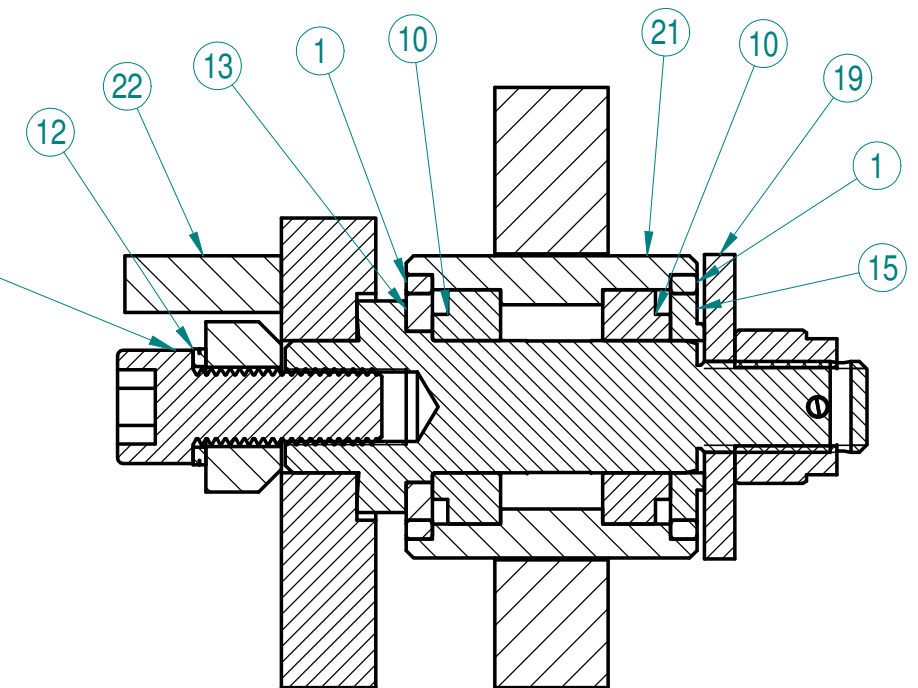
Item no: **5005280**  
 Revision: **F**

Title: Befästare Fastclips CD400

Spare part view



Tightening torque 688Nm



Use wedge 31900517 for 1:20  
 Use wedge 5001720 for 1:30  
 Use wedge 5001773 for 1:40

Information about the hoses, see drawings:  
 5008350 G=1000, G=1067  
 5008620 G=1435  
 5008670 G=1520, G=1600

Item no: **5005280**  
 Revision: **F**

Title: **Befästare Fastclips CD400**  
 Title: Clipping unit

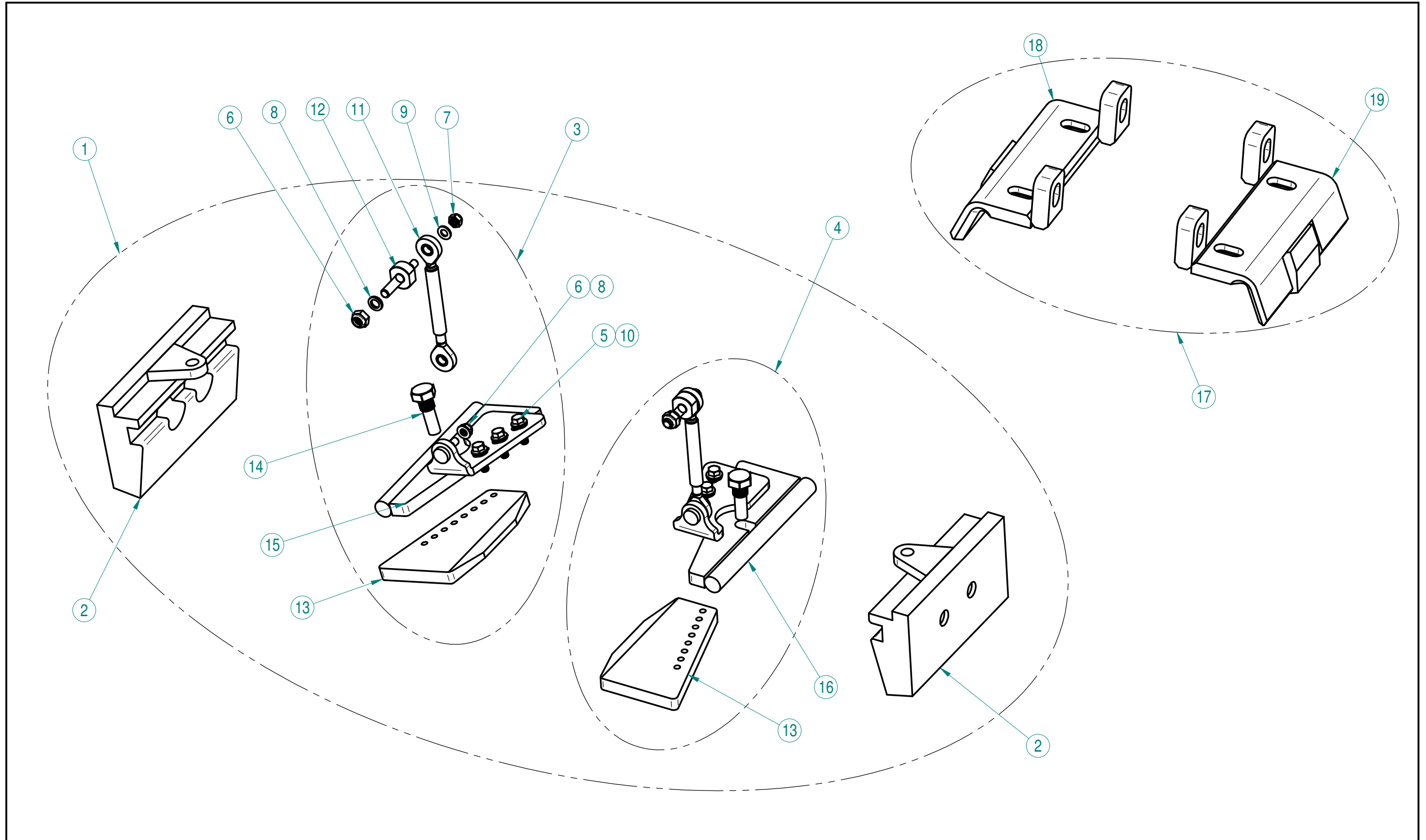
### Part list

Pos	Pcs	Title	Description	Item no:
1	4	Sealing		405000
2	1	Hydraulic cylinder		200005
3	4	Screw		102081
4	2	Pin		147143
5	4	Nut		126005
6	4	Nut		126012
7	4	Screw		103269
8	4	Washer		142017
9	4	Washer		142020
10	4	Bearing		400009
11	4	Screw		109128
12	2	Shaft		5008516
13	2	Sealing		41900214
14	1	Spacer plate		31930461
15	2	Cover		41900215
16	4	Spacer plate		5001340
17	2	Spacer plate		5001339
18	2	Clipping pad		3199-2780
19	1	Shaft support		5006368
20	2	Shaft		5001344
21	2	Clipping arm		31930303
22	1	Arm bracket		5005281
23	1	Sealing kit		205005

Item no: **5007030**  
Revision: **A**

Title: Befästningsutrustning CD400

Spare part view





Item no: **5007030**  
 Revision: **A**

Title: **Befästningsutrustning CD400**  
 Title: Clipping unit Deenik

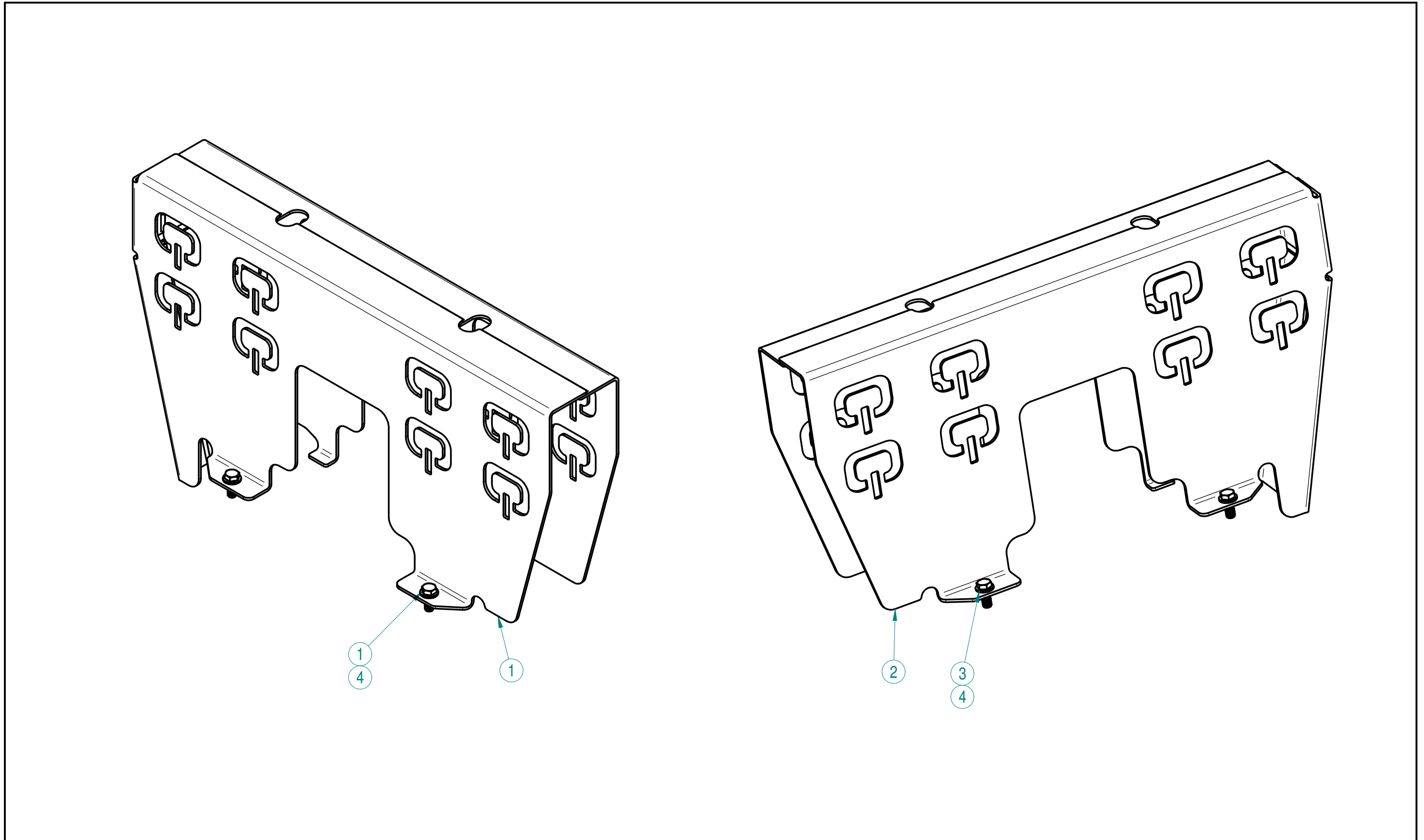
### Part list

Pos	Pcs	Title	Description	Item no:
1	1	Clipping unit Deenik		5007030
2	2	Clipping pad Deenik		5007064
3	1	Mechanical stop left		5007066
4	1	Mechanical stop right		5007073
5	6	Screw		109131
6	4	Locking nut		130004
7	2	Nut		130005
8	4	Washer		137005
9	2	Washer		142007
10	6	Washer		142023
11	2	Parallell arm		5007045
12	2	Bracket		5007056
13	2	Knife		5007068
14	2	Screw		5007074
15	1	Bracket left		5007069
16	1	Bracket right		5007070
17	1	Declipping pad Deenik compl.		5007031
18	1	Declipping pad Deenik left		5007110
19	1	Declipping pad Deenik right		5007147

Item no: **5010033**  
Revision: **A**

Title: Fast skydd Befästare

Spare part view



Item no: **5010033**  
Revision: **A**

Title: **Fast skydd Befästare**  
Title: Cover clipping unit

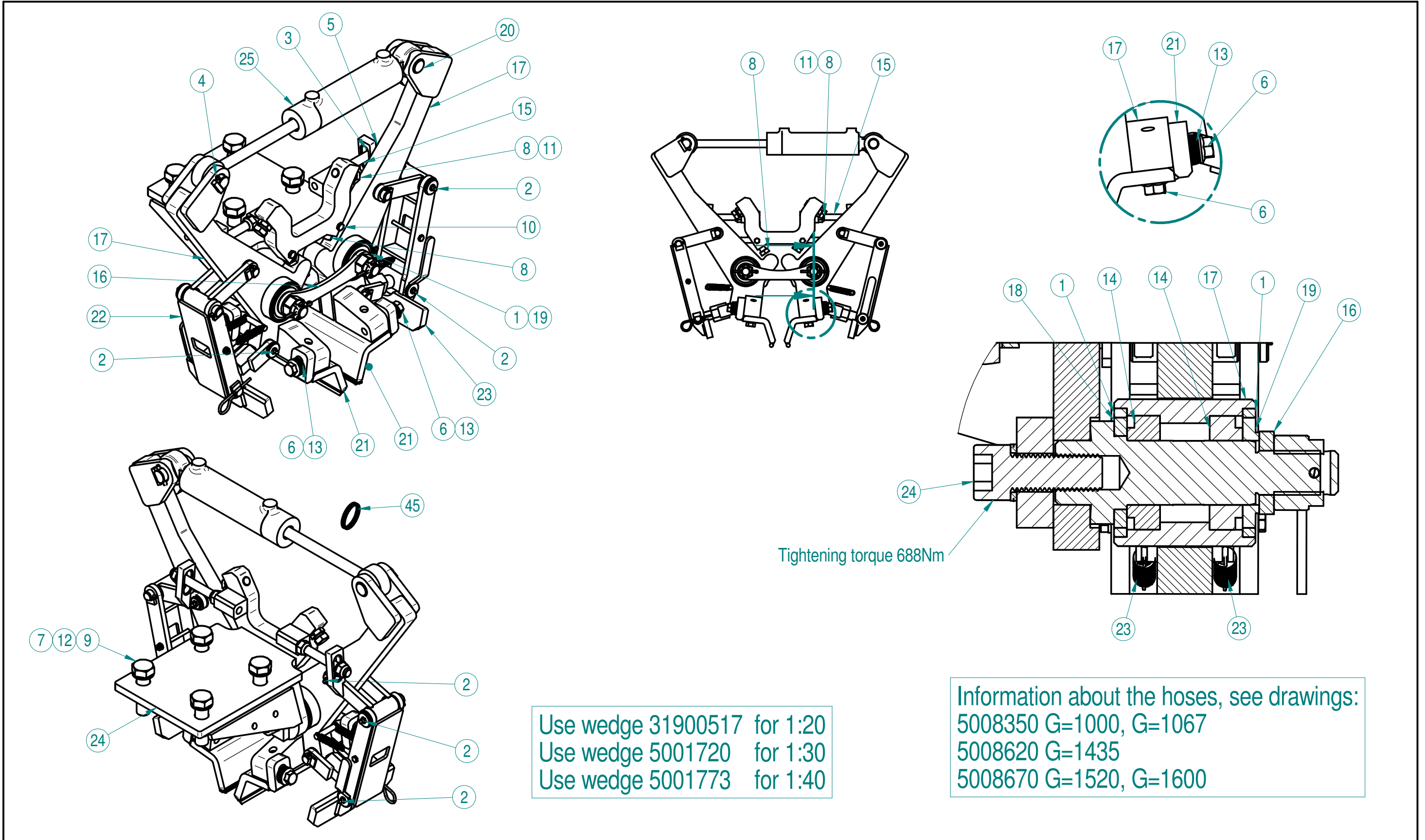
### Part list

Pos	Pcs	Title	Description	Item no:
1	1	Cover, filter side		5010032
2	1	Cover		5010033
3	4	Washer		137009
4	4	Screw		102103

Item no: **5005220**  
 Revision: **G**

Title: Avbefästning smst

Spare part view



Tightening torque 688Nm

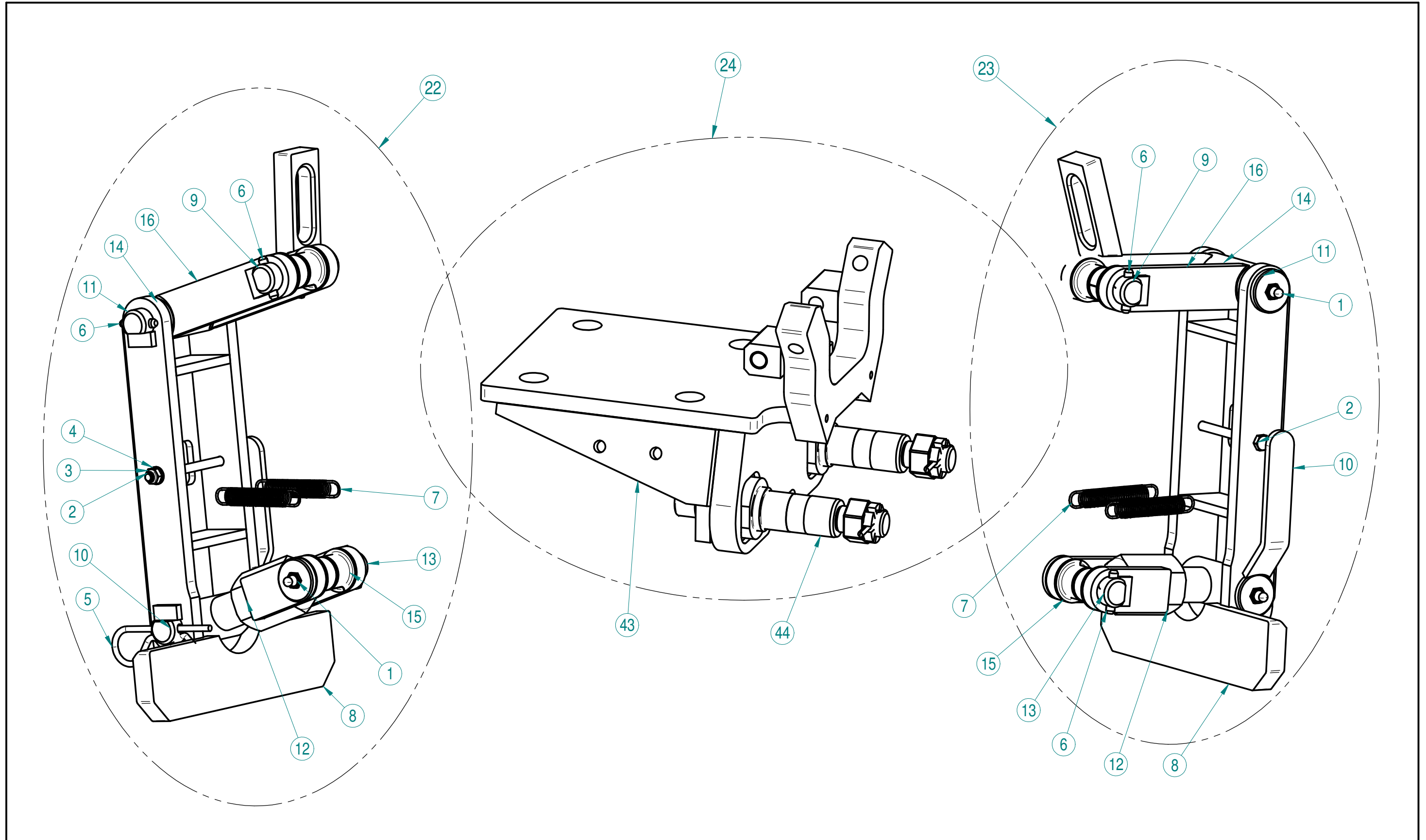
Use wedge 31900517 for 1:20  
 Use wedge 5001720 for 1:30  
 Use wedge 5001773 for 1:40

Information about the hoses, see drawings:  
 5008350 G=1000, G=1067  
 5008620 G=1435  
 5008670 G=1520, G=1600

Item no: **5005220**  
Revision: **G**

Title: Avbefästning smst

Spare part view



Item no: **5005220**  
 Revision: **G**

Title: **Avbefästning smst**  
 Title: Declipping unit

### Part list

Pos	Pcs	Title	Description	Item no:
1	4	Sealing		405000
2	8	Grease nipple		157300
3	2	Spheric washer		143502
4	2	Pin		147143
5	4	Nut		130008
6	8	Screw		109128
7	4	Nut		126012
8	4	Screw		102154
9	4	Screw		103269
10	2	Screw		102051
11	2	Low nut		129008
12	4	Washer		142017
13	20	Washer		142020
14	4	Bearing		400009
15	2	Shaft		5000391
16	1	Shaft support		5008529
17	2	Declipping arm		5005216
18	2	Sealing		41900214
19	2	Cover		41900215
20	2	Shaft		5001344
21	2	De-clipping pad		5005221
22	1	Declipping linkage left		3199-3707
23	1	Declipping linkage right		3199-2792
24	1	Declipping base part		5005225
25	1	Hydraulic cylinder		200005

Item no: **5005220**  
 Revision: **G**

Title: **Avbefästning smst**  
 Title: Declipping unit

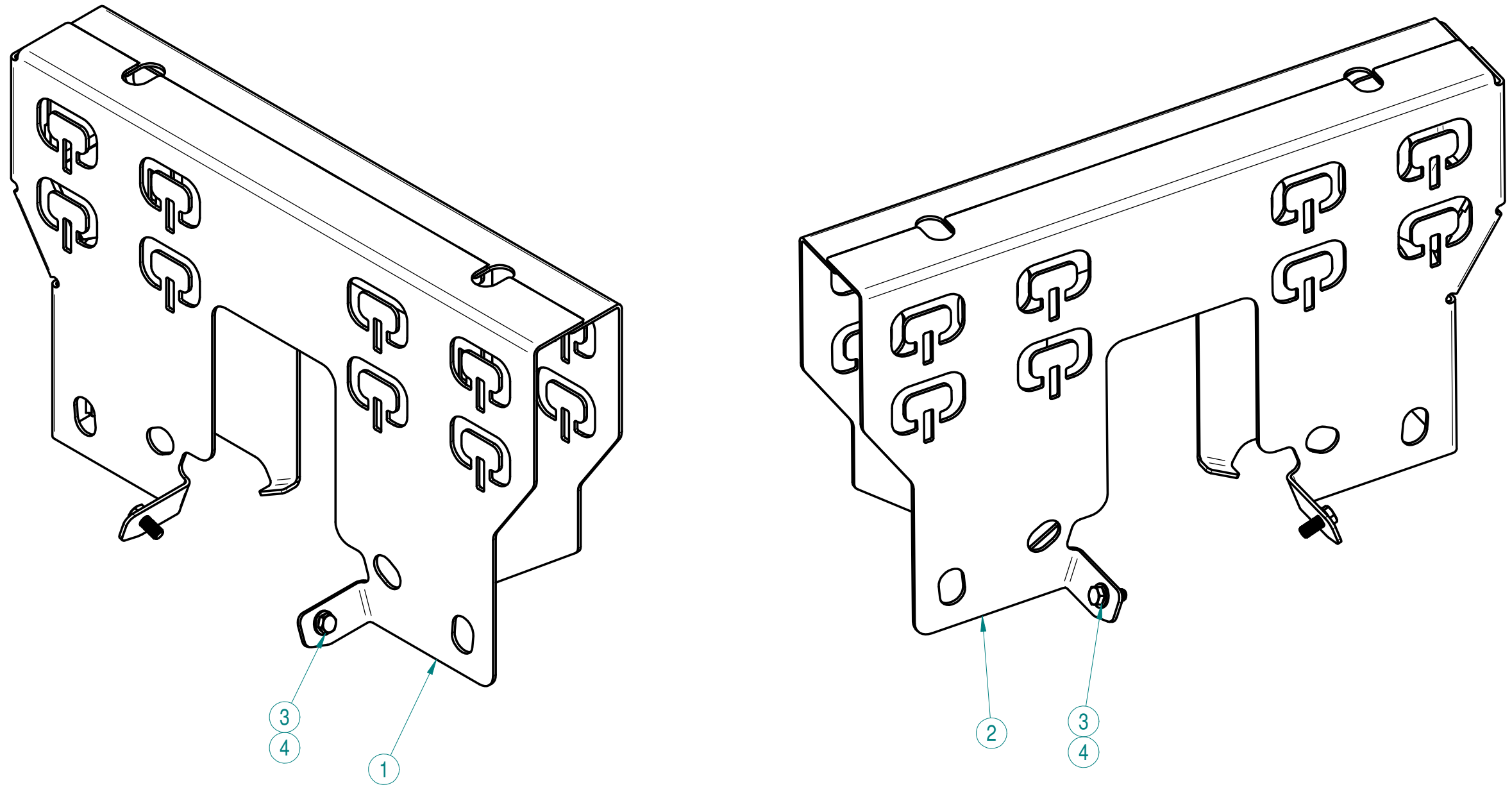
### Part list

Pos	Pcs	Title	Description	Item no:
27	1	Screw		103035
28	1	Nut		130002
29	1	Washer		137003
30	1	Pin		145000
31	3	Cotter pin		147142
32	2	Spring		163006
33	1	Arm		3199-2786
34	1	Shaft		3199-2793
35	1	Shaft w ith handle		3199-2794
36	1	Shaft		3199-2796
37	1	Low er link		3199-3702
38	1	Shaft		3199-3703
39	2	Bearing		410031
40	4	Bearing		411008
41	1	Upper link left		3199-3706
42	1	Upper link right		3199-2783
43	1	Declipping base unit		5005224
44	2	Shaft		5008516
45	1	Sealing kit		205005

Item no: **5010034**  
Revision: **A**

Title: Fast skydd Avbefästare

Spare part view





Item no: **5010034**  
Revision: **A**

Title: **Fast skydd Avbefästare**  
Title: Cover declipping unit

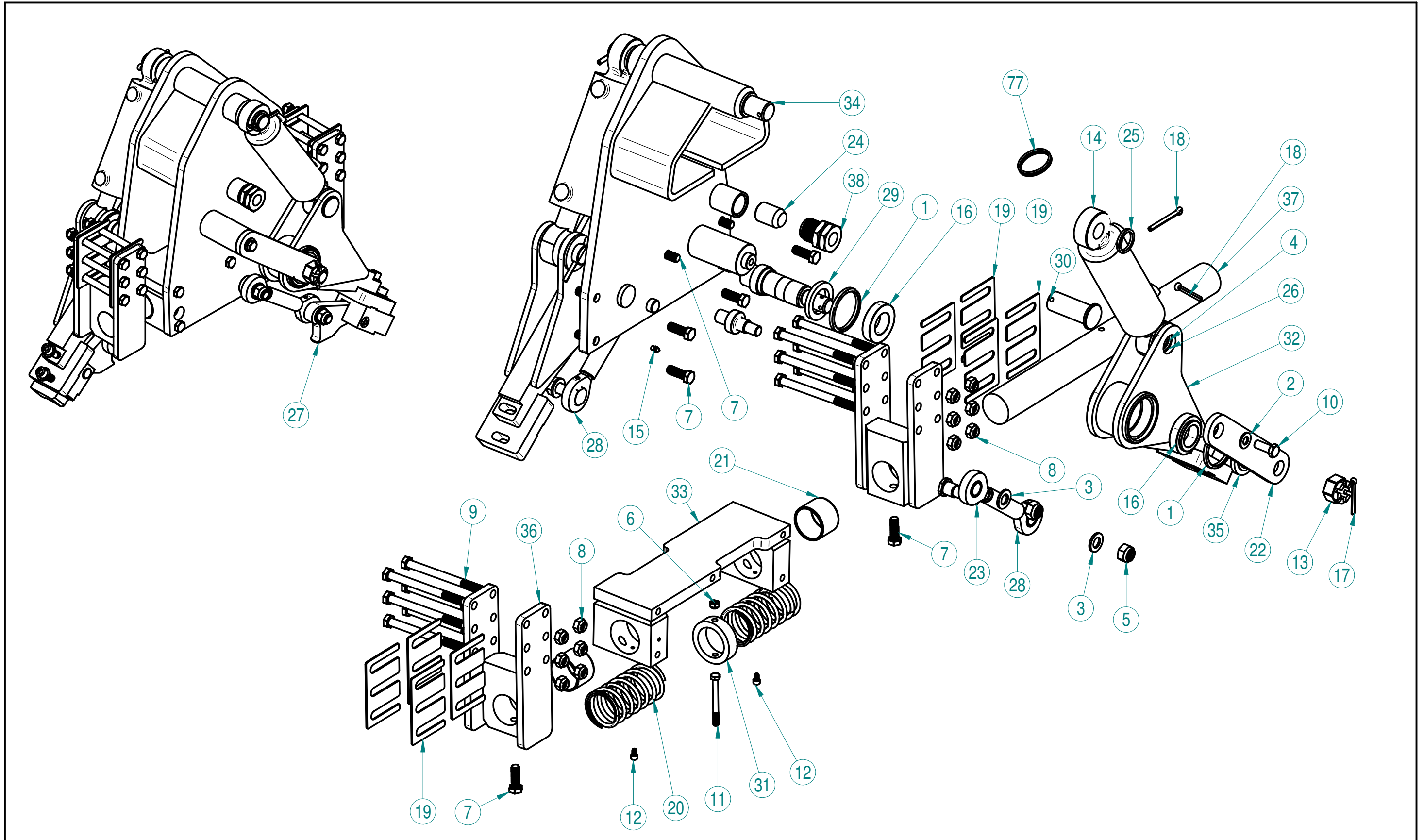
### Part list

Pos	Pcs	Title	Description	Item no:
1	1	Cover		5010034
2	1	Cover, filter side		5010035
3	4	Washer		137009
4	4	Screw		102103

Item no: **5001021**  
Revision: **J**

Title: E-clips befästare

Spare part view



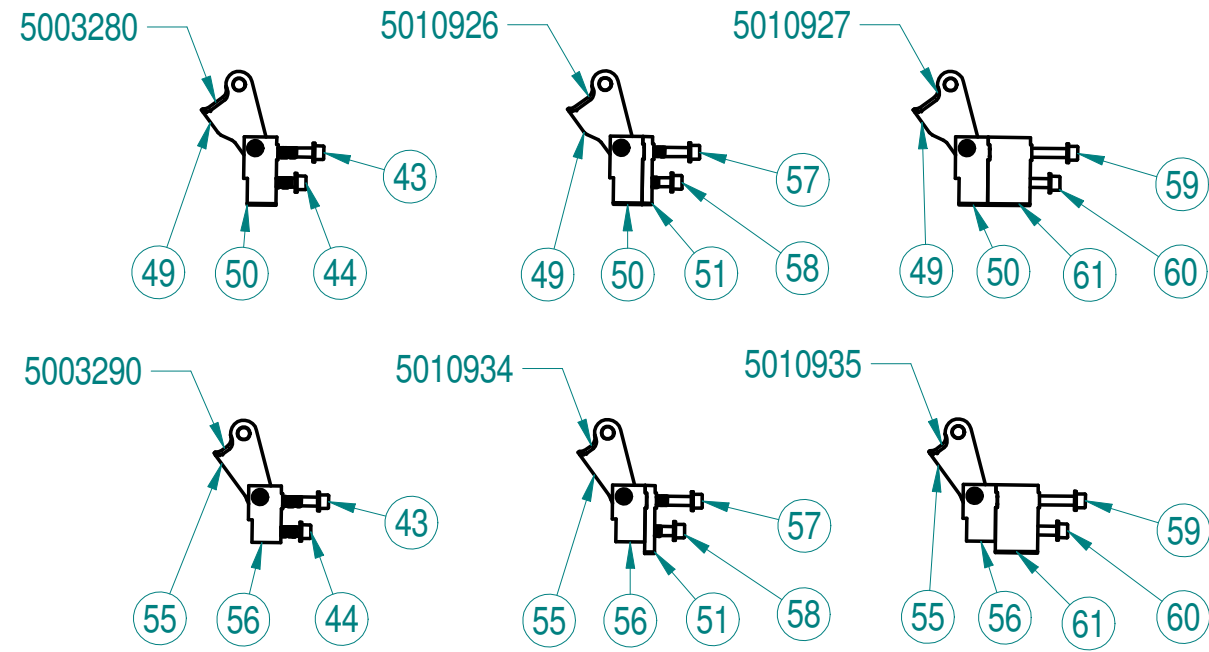
Item no: **5001021**  
Revision: **J**

Title: E-clips befästare

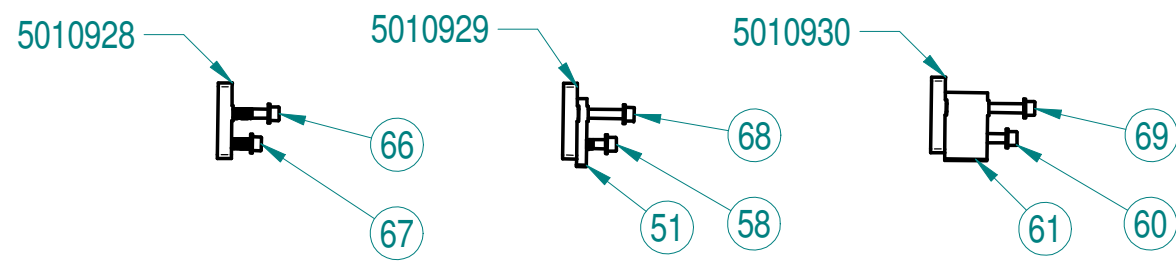
Spare part view

Variants

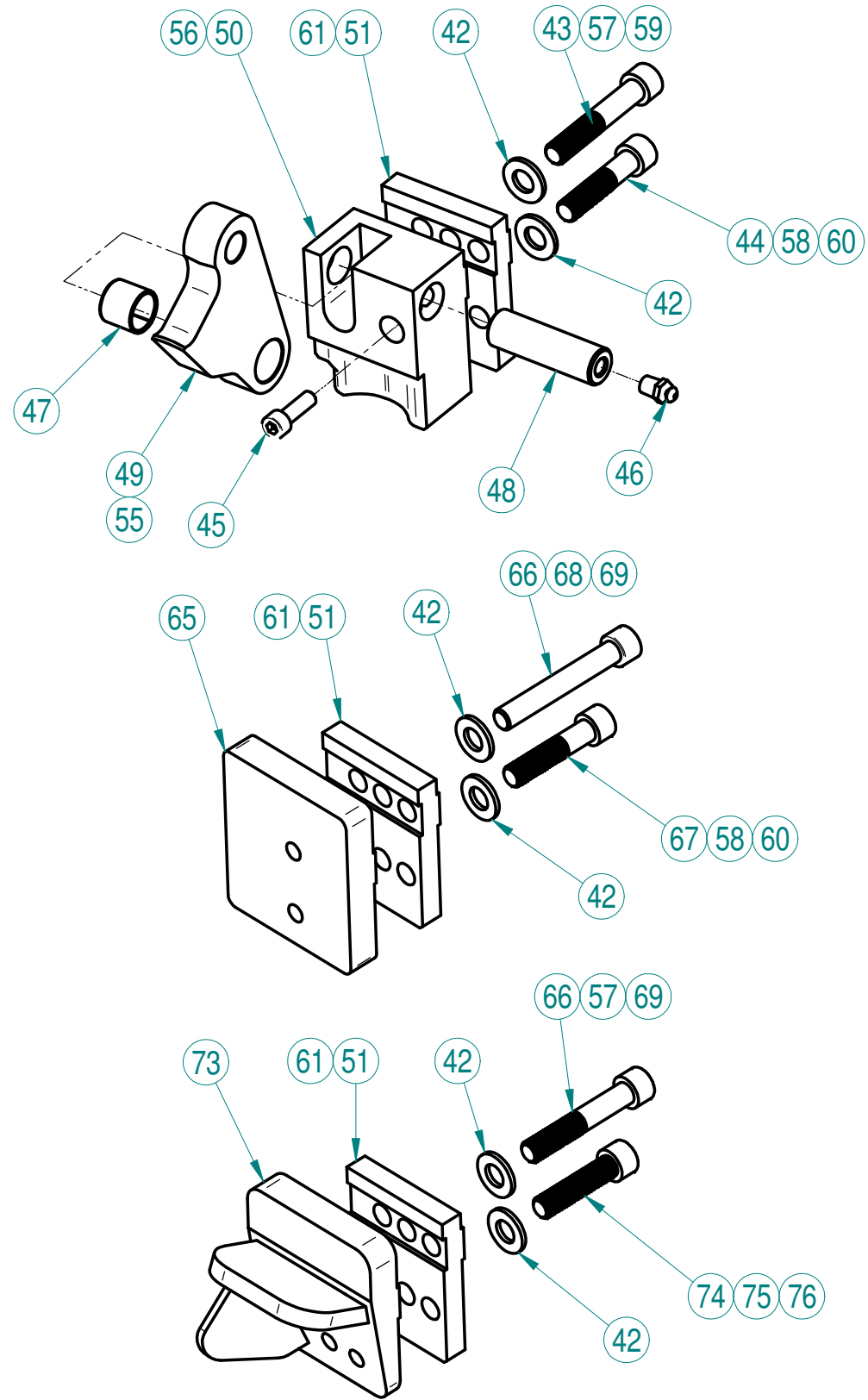
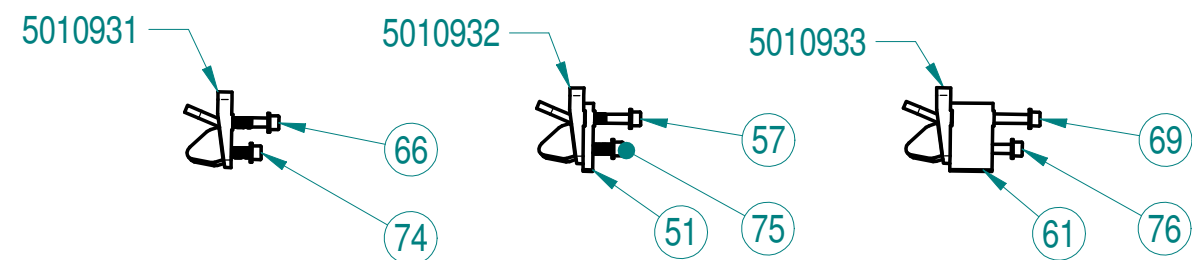
E-clips



Heyback



PR400



Item no: **5001021**  
Revision: **J**

Title: **E-clips befästare**  
Title: Declipping

### Part list

Pos	Pcs	Title	Description	Item no:
1	4	Sealing		405000
2	2	Washer		137009
3	4	Washer		137012
4	2	Washer		139019
5	4	Nut		130008
6	1	Nut		130004
7	12	Screw		102104
8	12	Nut		130006
9	12	Screw		103112
10	2	Screw		102103
11	1	Screw		103051
12	2	Screw		115028
13	2	Nut		134528
14	2	Hydraulic cylinder		200034
15	2	Grease nipple		157300
16	4	Bearing		400009
17	2	Pin		146101
18	4	Pin		146119
19	8	Shim		5001623
20	2	Spring		162006
21	2	Bearing		410020
22	2	Support		5003053
23	2	Shaft		5001644
24	2	Sliding plug		5001622
25	2	Spacer		5003054
26	4	Spacer		5003291
27	2	Clip shoe		See variant list
28	2	Parallell arm		5003283
29	2	Sealing		41900214
30	2	Shaft		5001019
31	1	Stop		5001025
32	2	Arm		5001008
33	1	Slider		5001030
34	1	Declipping base unit		5001028
35	2	Cover		41900215
36	2	Bracket declipping		5001029
37	1	Shaft		5001018
38	2	Bulk head		31991699

Item no: **5001021**  
Revision: **J**

Title: **E-clips befästare**  
Title: Declipping

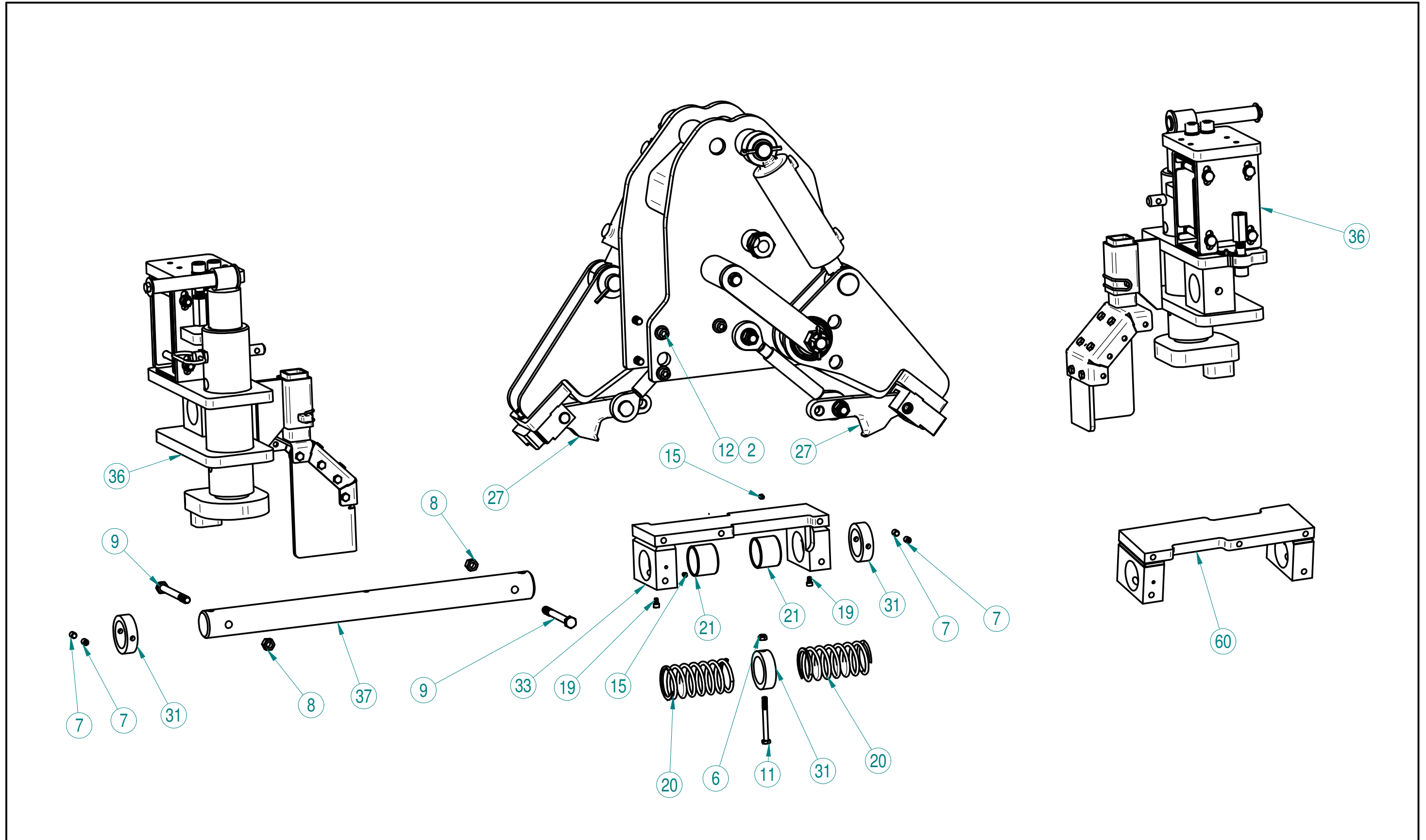
### Part list

Pos	Pcs	Title	Description	Item no:
39	2	E-clip shoe		5003280
40	2	E-clip shoe w spacer		5010926
41	2	E-clip shoe w spacer		5010927
42	4	Washer		137009
43	2	Screw		116111
44	2	Screw		113070
45	2	Screw		113046
46	2	Grease nipple		157320
47	2	Bearing		410014
48	2	Shaft		5001645
49	2	Claw guide		5003282
50	2	Claw		5003281
51	2	Spacer 13mm		5006716
52	2	E-clip shoe		5003290
53	2	E-clip shoe w spacer		5010934
54	2	E-clip shoe w spacer		5010935
55	2	Claw guide		5001057
56	2	Claw		5001012
57	2	Screw		114226
58	2	Screw		114092
59	2	Screw		114100
60	2	Screw		114099
61	2	Spacer 56mm		5006717
62	2	Hayback shoe		5010928
63	2	Hayback shoe w spacer		5010929
64	2	Hayback shoe w spacer		5010930
65	2	Declipping pad		5004389
66	2	Screw		114093
67	2	Screw		113070
68	2	Screw		116115
69	2	Screw		114101
70	2	PR400 shoe		5010931
71	2	PR400 shoe w spacer		5010932
72	2	PR400 shoe w spacer		5010933
73	2	Declipping pad		5003090
74	2	Screw		113068
75	2	Screw		114091
76	2	Screw		116116
77	2	Sealing kit		205039

Item no: **5004661**  
Revision: **F**

Title: E-clips befästare (offset)

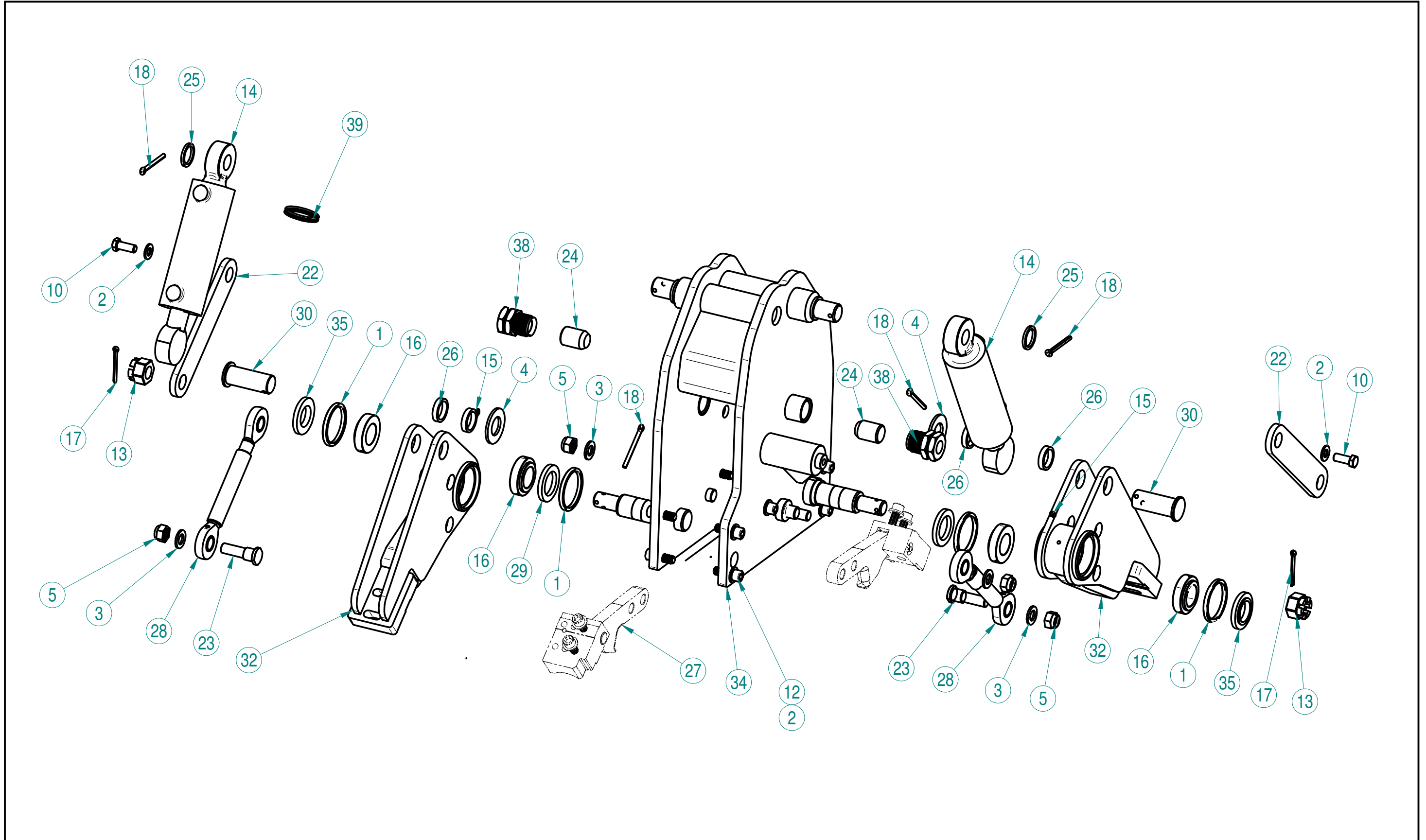
Spare part view



Item no: **5004661**  
Revision: **F**

Title: E-clips befästare (offset)

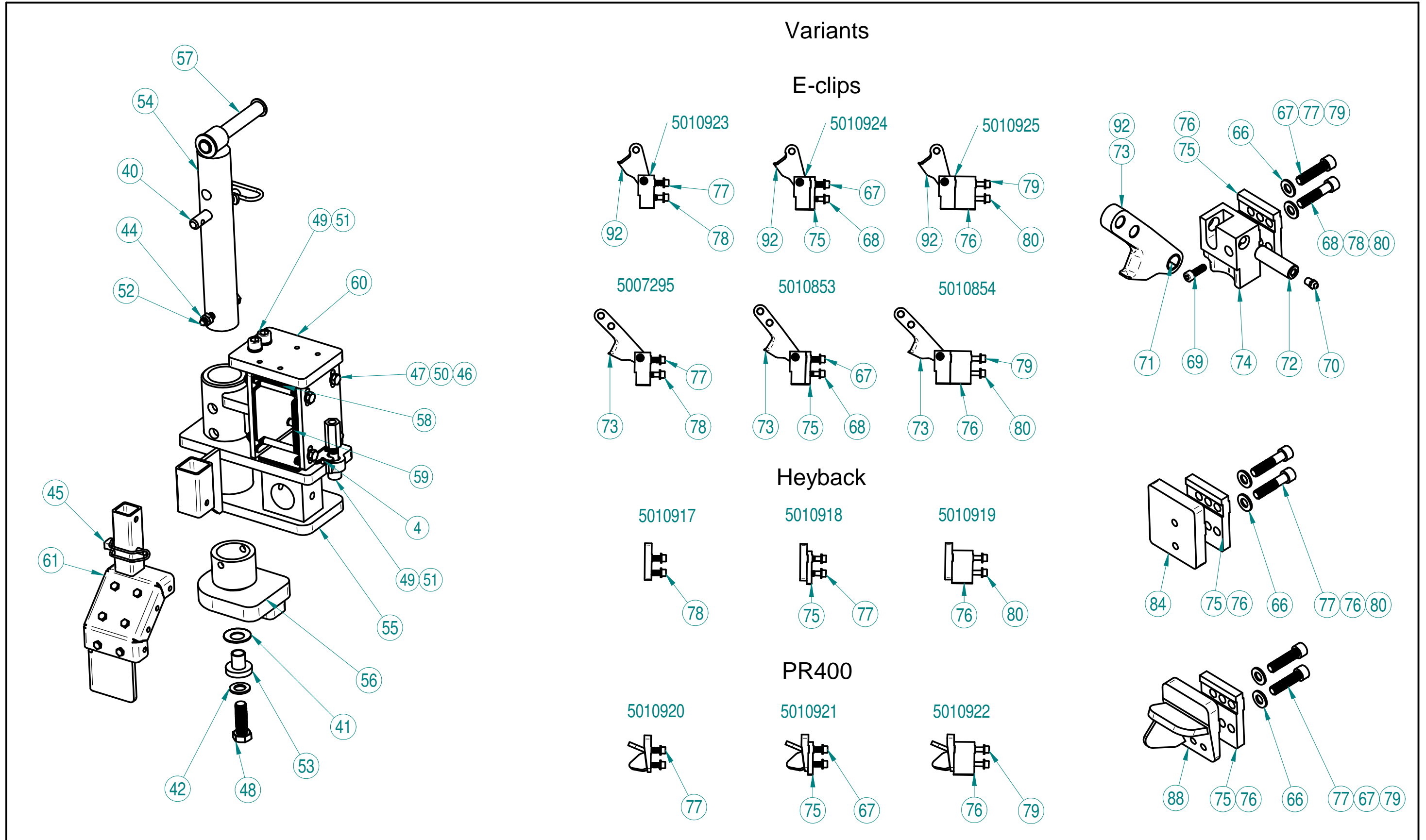
Spare part view



Item no: **5004661**  
Revision: **F**

Title: E-clips befästare (offset)

Spare part view





Item no: **5004661**  
 Revision: **F**

Title: **E-clips befästare (offset)**  
 Title: Clipping/Declipping

### Part list

Pos	Pcs	Title	Description	Item no:
1	4	Sealing		405000
2	16	Washer		137009
3	4	Washer		137012
4	2	Washer		139019
5	4	Nut		130008
6	1	Nut		130004
7	4	Screw		154073
8	2	Nut		126006
9	2	Screw		103110
10	2	Screw		102103
11	1	Screw		103051
12	10	Screw		113068
13	2	Nut		134528
14	2	Hydraulic cylinder		200034
15	4	Grease nipple		157300
16	4	Bearing		400009
17	2	Pin		146101
18	4	Pin		146119
19	2	Screw		113028
20	2	Spring		162006
21	2	Bearing		410020
22	2	Support		5003053
23	2	Shaft		5001644
24	2	Sliding plug		5001622
25	2	Spacer		5003054
26	4	Spacer		5003291
27	2	Clip shoe		See variant list
28	2	Parallell arm		5004690
29	2	Sealing		41900214
30	2	Shaft		5001019
31	3	Stop		5001025
32	2	Arm		5007291
33	1	Slider		5004667
34	1	Declipping base unit		5004662
35	2	Cover		41900215
36	2	Bracket declipping		5004670
37	1	Shaft		5004692
38	2	Bulk head		31991699

Item no: **5004661**  
 Revision: **F**

Title: **E-clips befästare (offset)**  
 Title: Clipping/Declipping

### Part list

Pos	Pcs	Title	Description	Item no:
39	2	Sealing kit		205039
40	2	Pin		157001
41	2	Washer		164004
42	2	Washer		137015
43	2	Pin		147140
44	2	Nut		130006
45	2	Pin		145006
46	8	Nut		126006
47	8	Screw		103112
48	2	Screw		102203
49	6	Screw		114151
50	16	Washer		142009
51	6	Washer		142012
52	2	Screw		103108
53	2	Guide		5004686
54	2	Cover		5004675
55	2	Base unit declipping		5004671
56	2	Declipping shoe		5004683
57	2	Declipping shaft		5004681
58	2	Handle		5005030
59	12	Spacer		5004693
60	12	Spacer		5004672
61	2	Clip catcher		5003387
62	2	Slider, mirrored		5010031
63	2	E-clip shoe		5007295
64	2	E-clip shoe w spacer		5010853
65	2	E-clip shoe w spacer		5010854
66	4	Washer		137009
67	4	Screw		114091
68	2	Screw		114092
69	2	Screw		113046
70	2	Grease nipple		157320
71	2	Bearing		410014
72	2	Shaft		5001645
73	2	Claw guide		5004810
74	2	Claw		5003281
75	2	Spacer 13mm		5006716
76	3	Spacer 56mm		5006717

Item no: **5004661**  
 Revision: **F**

Title: **E-clips befästare (offset)**  
 Title: Clipping/Declipping

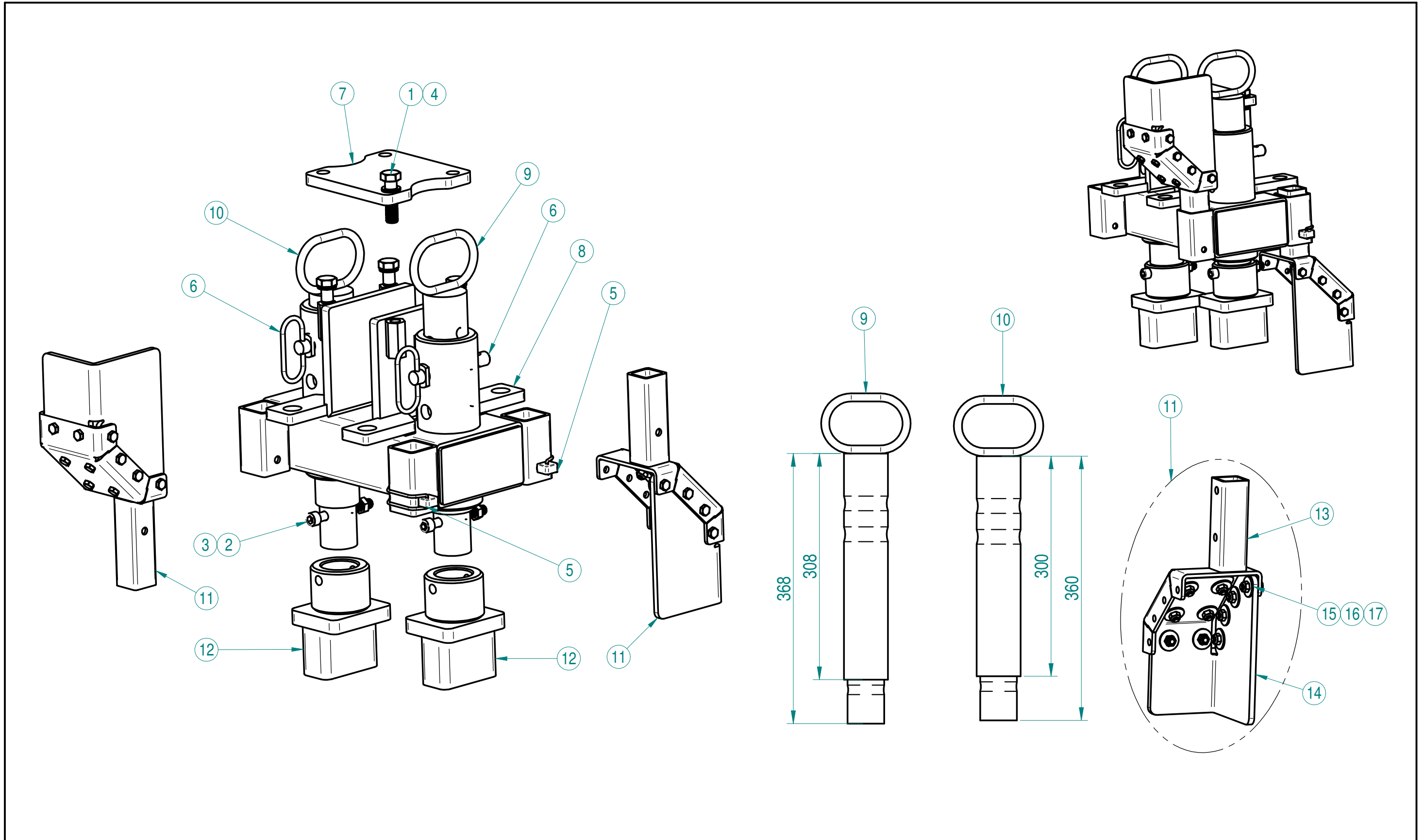
### Part list

Pos	Pcs	Title	Description	Item no:
77	4	Screw		113068
78	4	Screw		113070
79	4	Screw		116116
80	4	Screw		114099
81	2	Hayback shoe		5010920
82	2	Hayback shoe w spacer		5010921
83	2	Hayback shoe w spacer		5010922
84	2	Declipping pad		5004389
85	2	PR400 shoe w spacer		5010920
86	2	PR400 shoe w spacer		5010921
87	2	PR400 shoe w spacer		5010922
88	2	Declipping pad		5003090
89	2	E-clip shoe		5010923
90	2	E-clip shoe w spacer		5010924
91	2	E-clip shoe w spacer		5010925
92	2	Claw guide		5003282

Item no: **5002775**  
Revision: **E**

Title: E-clips avbefästare

Spare part view



Item no: **5002775**  
 Revision: **E**

Title: **E-clips avbefästare**  
 Title: Declipping unit E-clips

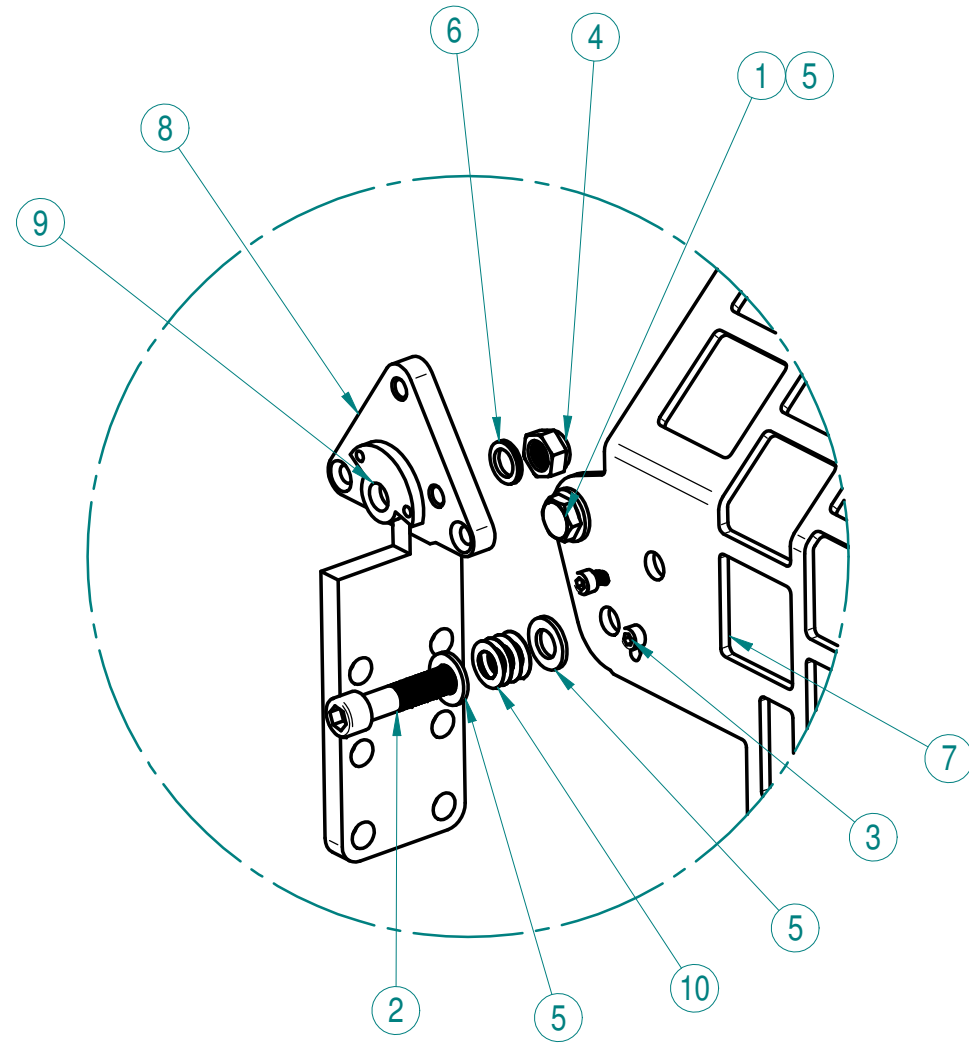
### Part list

Pos	Pcs	Title	Description	Item no:
1	4	Screw		103161
2	2	Screw		114099
3	2	Nut		130006
4	4	Washer		142012
5	2	Pin		145006
6	2	Shaft		157001
7	1	Plate		5003364
8	1	Declipping unit		5003366
9	1	Declipping shaft inner		5003374
10	1	Declipping shaft outer		5003375
11	2	Clip catcher compl.		5003387
12	2	Declipping shoe		5003410
13	1	Clip catcher		5003383
14	1	Rubber cover		5008532
15	10	Washer		143008
16	10	Screw		102057
17	10	Nut		130004

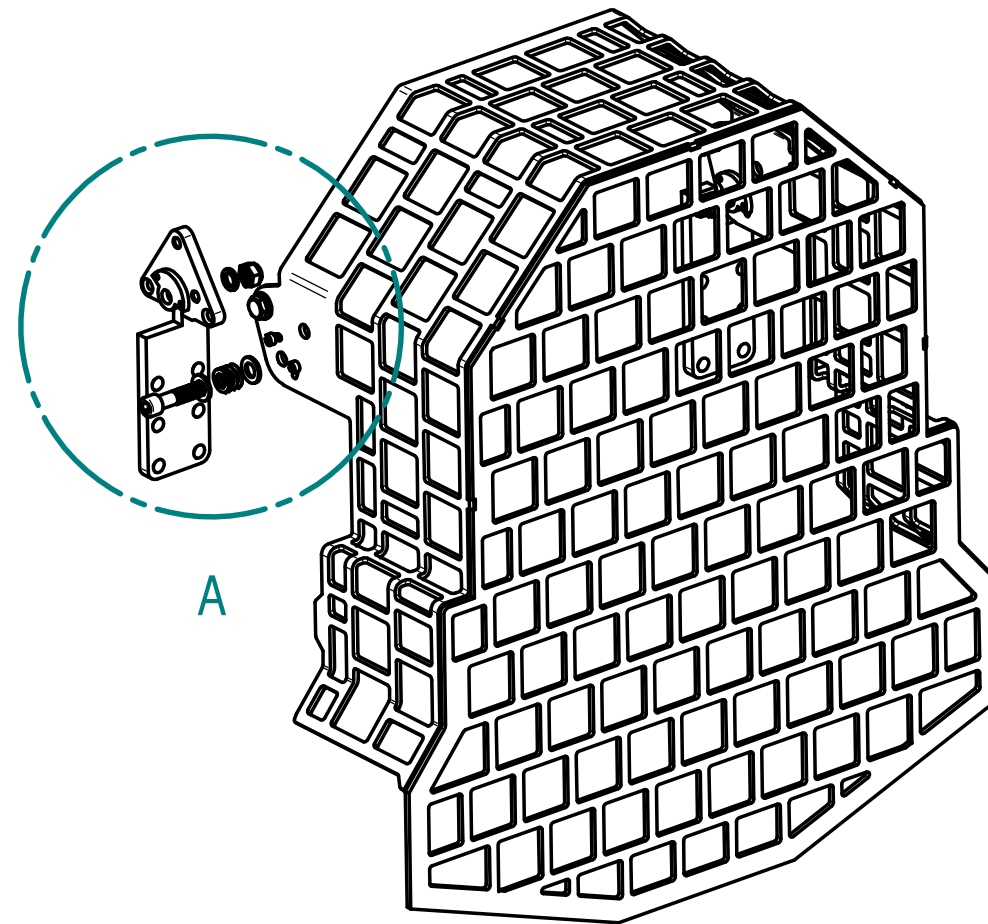
Item no: **5002484**  
Revision: **C**

Title: SKYDD e-clip modul

Spare part view



DETAIL A



Item no: **5002484**  
Revision: **C**

Title: **SKYDD e-clip modul**  
Title: Protection cover

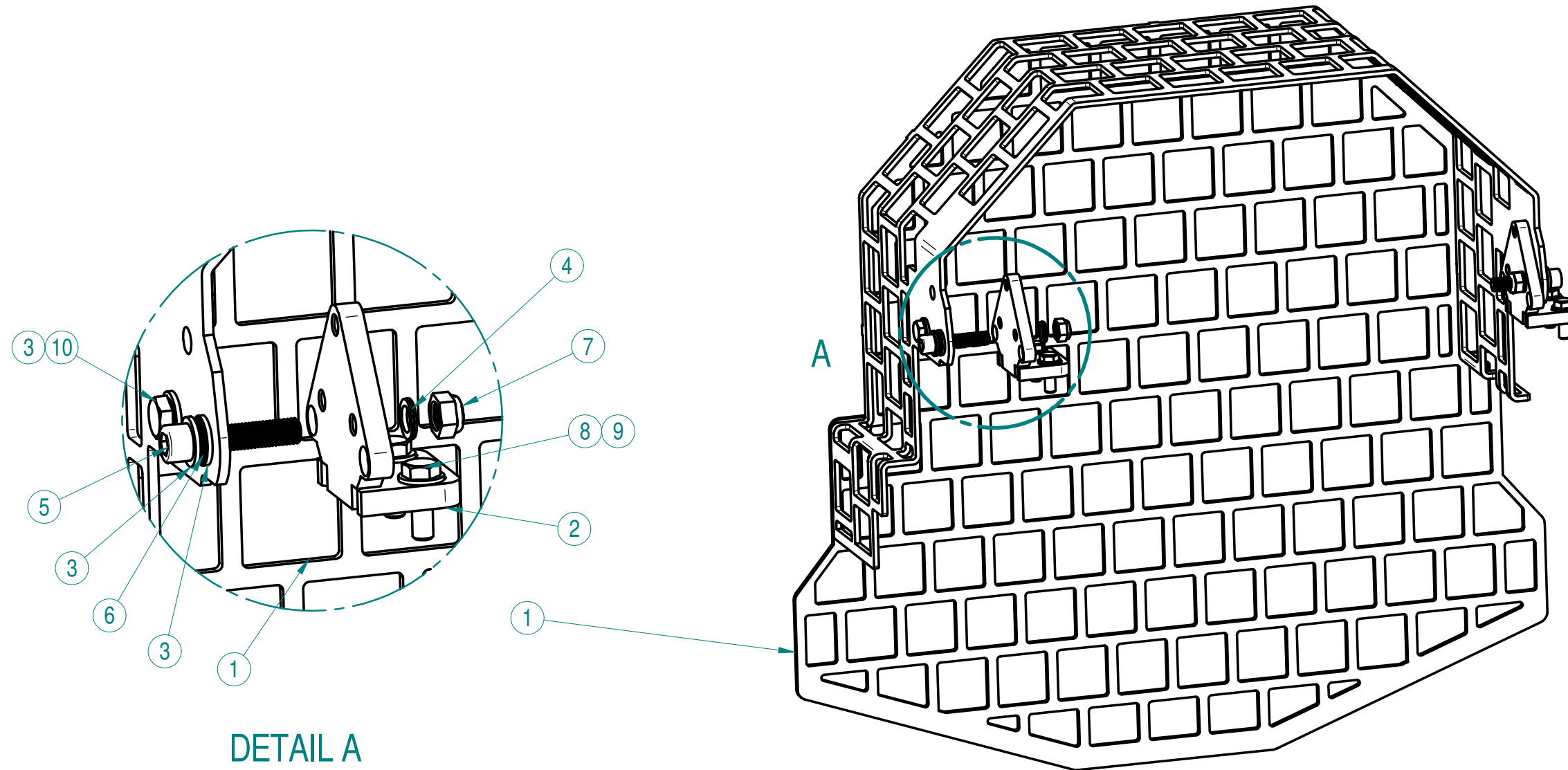
### Part list

Pos	Pcs	Title	Description	Item no:
1	2	Screw		102102
2	2	Screw		114092
3	4	Screw		115028
4	2	Nut		130006
5	6	Washer		137009
6	2	Washer		142009
7	1	Protection cover		5002478
8	2	Bracket		5002482
9	2	Flag		5002483
10	8	Spring washer		164001

Item no: **5006362**  
Revision: **C**

Title: SKYDD e-clip offset

Spare part view





Item no: **5006362**  
Revision: **C**

Title: **SKYDD e-clip offset**  
Title: Protection cover

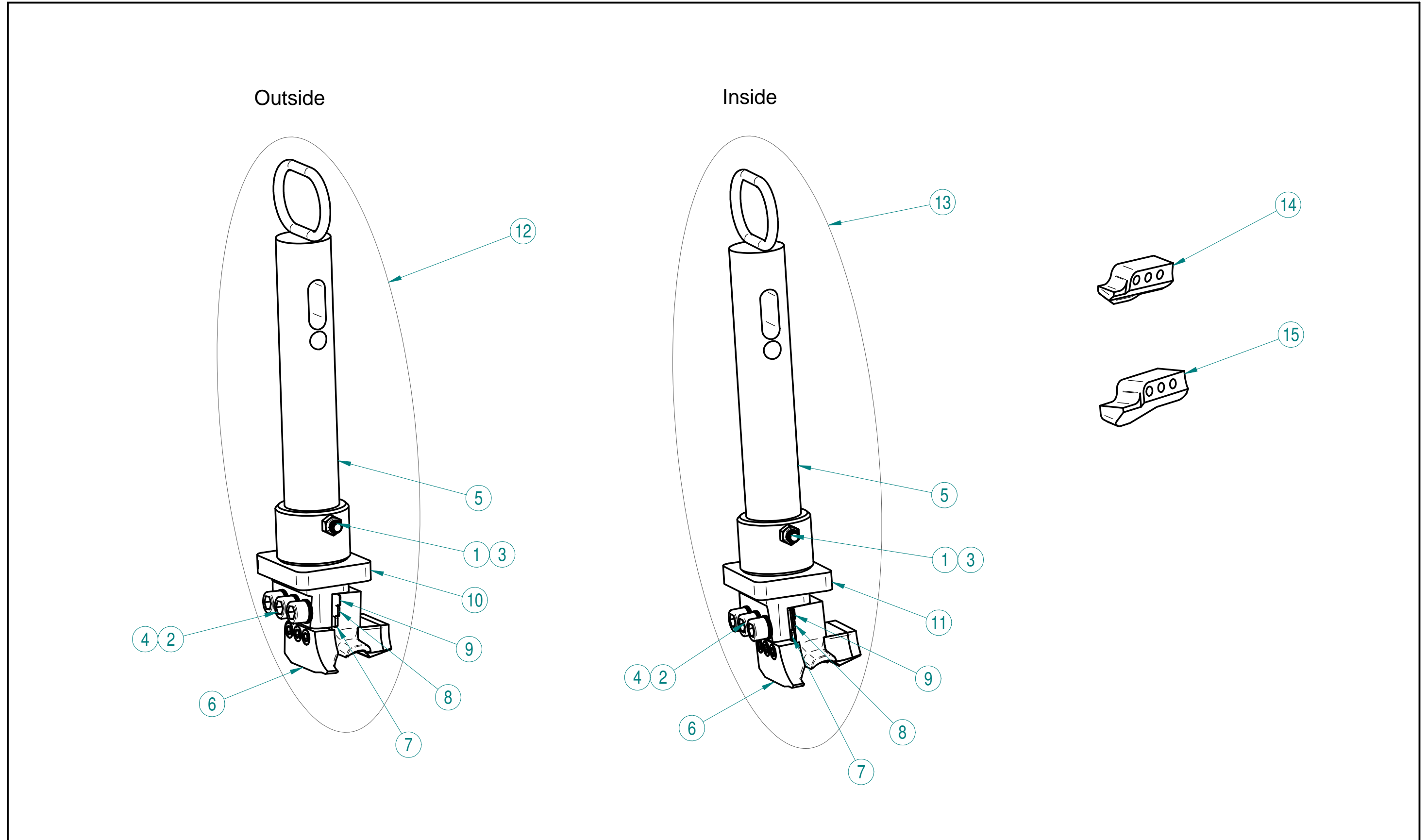
### Part list

Pos	Pcs	Title	Description	Item no:
1	1	Protection cover		5006328
2	2	Bracket		5006295
3	6	Washer		137009
4	2	Washer		142009
5	2	Screw		114092
6	8	Spring washer		164001
7	2	Nut		130006
8	4	Screw		102080
9	4	Washer		137007
10	2	Screw		102100

Item no: **5007300**  
Revision: **A**

Title: Antivandal e-clip topp

Spare part view



Item no: **5007300**  
 Revision: **A**

Title: **Antivandal e-clip topp**  
 Title: Declipping unit Anti Vandal e-clip

### Part list

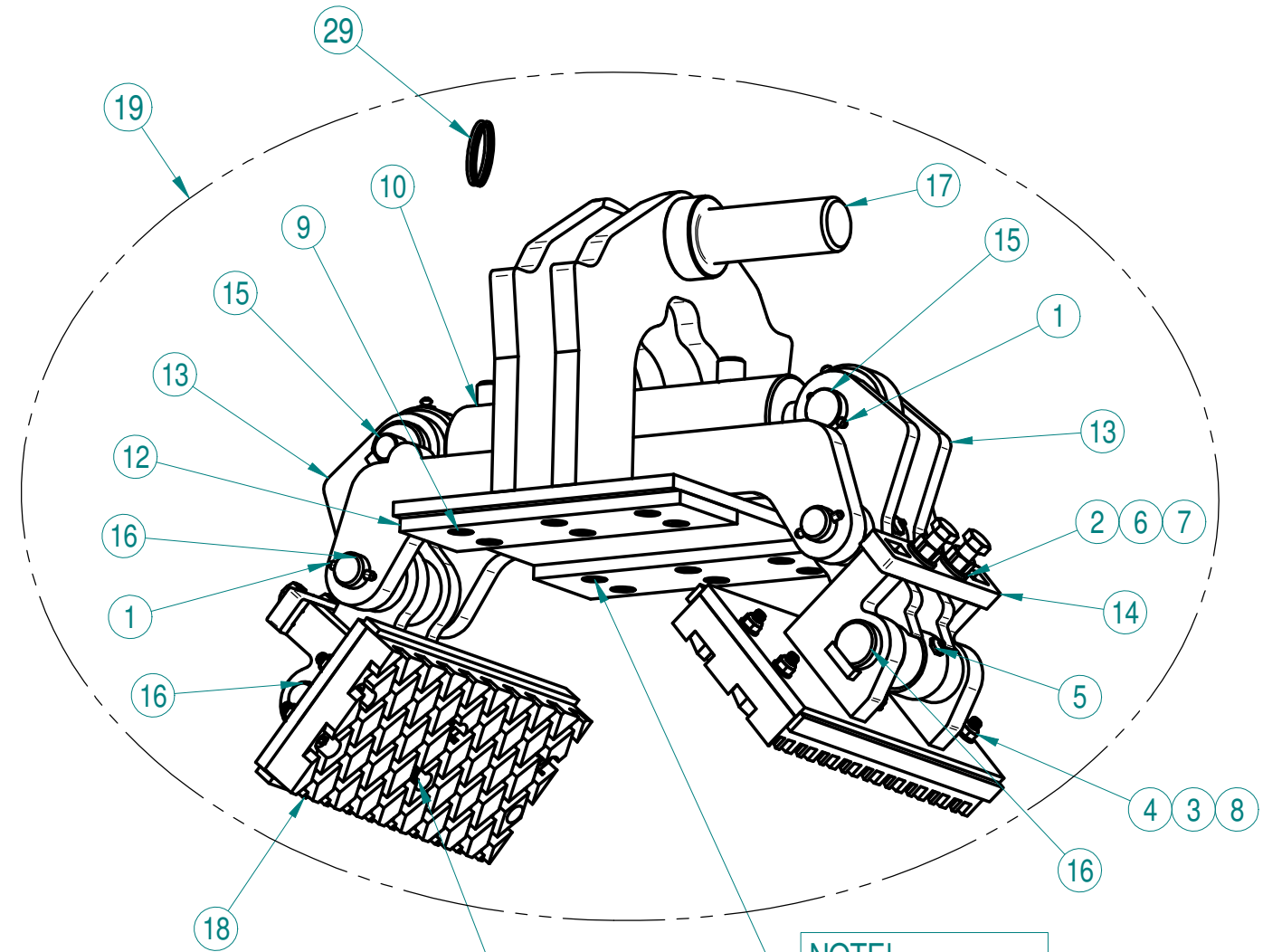
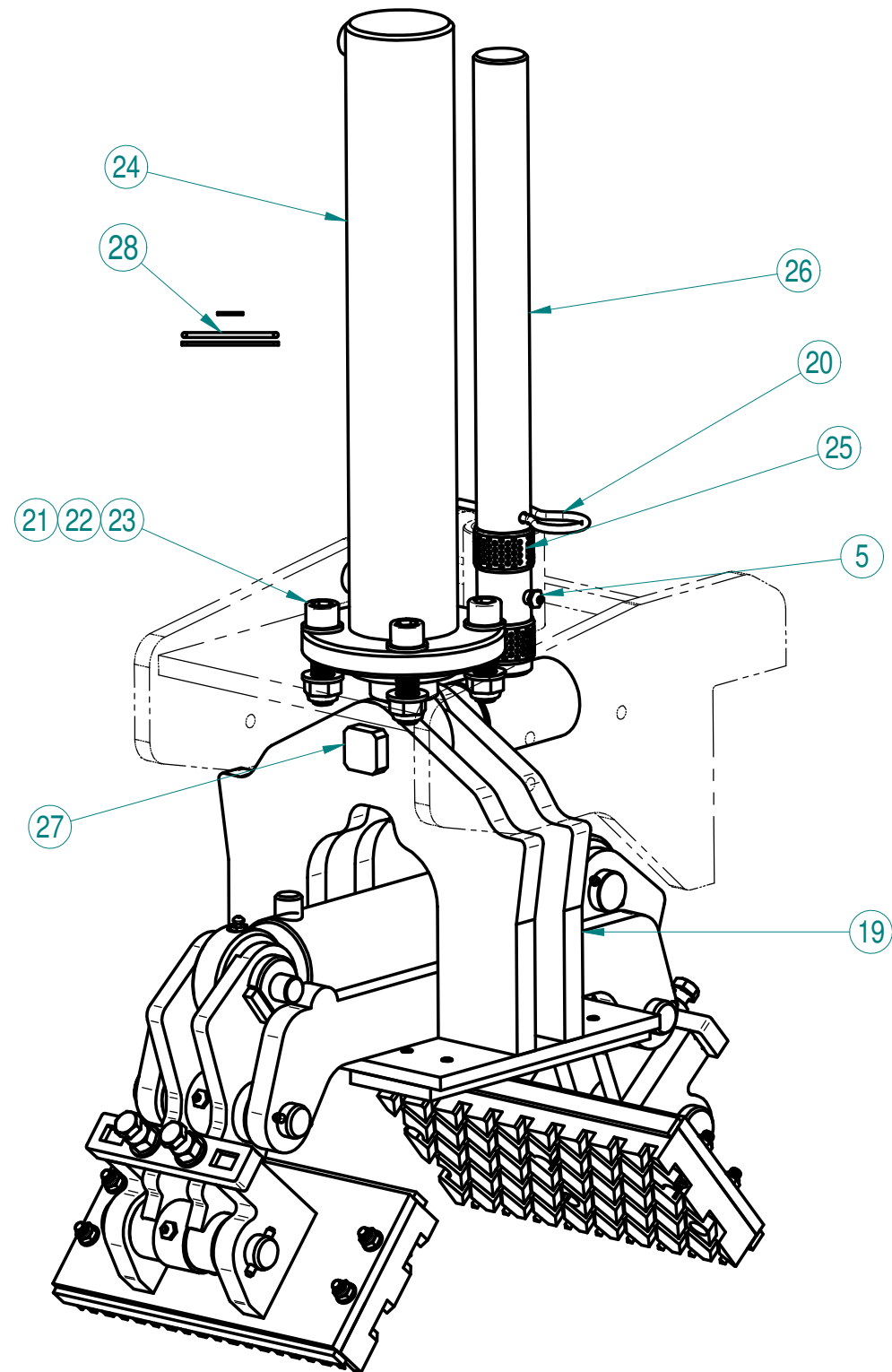
Pos	Pcs	Title	Description	Item no:
1	1	Screw		114099
2	3	Screw		116154
3	1	Nut		130006
4	3	Washer		142012
5	1	Declipping shaft Anti Vandal		5006834
6	1	Declipping shoe Anti Vandal e-clip		5007303
7	1	Shim 3mm		5007314
8	1	Shim 2mm		5007315
9	1	Shim 1mm		5007316
10	1	Bracket Anti Vandal outside		5007301
11	1	Bracket Anti Vandal inside		5007307
12	1	Declipping unit (outer)		5007317
13	1	Declipping unit (inner)		5007318
14	1	Sliding part (uninsulated)		5007306
15	1	Sliding part (insulated)		5007370

Item no: **5000450**  
 Revision: **F**

Title: Sliperslyft

Spare part view

Information about the hoses, see drawings:  
 5008350 G=1000, G=1067  
 5008620 G=1435  
 5008670 G=1520, G=1600



**NOTE!**  
 Use Locktite when  
 assemble Pos 9.

**NOTE!**  
 Mount 2x Pos 3 under  
 Pos 8 to avoid collision  
 between Pos 8 and Pos 13.

Item no: **5000450**  
 Revision: **F**

Title: **Sliperslyft**  
 Title: Sleeper lift

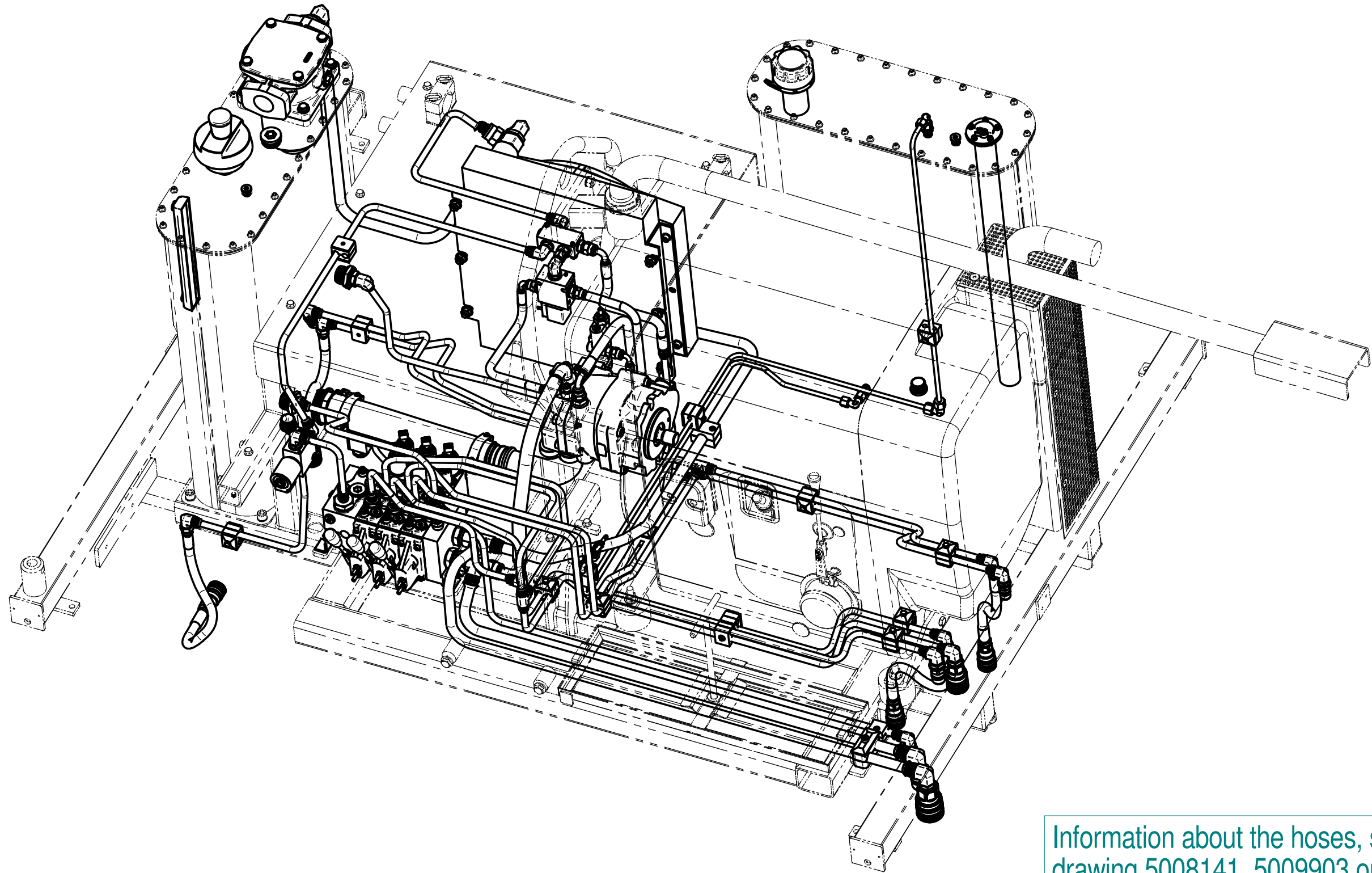
### Part list

Pos	Pcs	Title	Description	Item no:
1	6	Cotter pin		147143
2	4	Washer		137009
3	16	Washer		137005
4	12	Nut		130004
5	4	Grease nipple		157306
6	4	Nut		126006
7	4	Screw		102105
8	12	Screw		114040
9	12	Screw		122052
10	1	Hydraulic cylinder		200007
11	8	Bearing		411018
12	2	Wear plate		31900510
13	2	Arm		5005234
14	2	Plate holder		5000463
15	2	Shaft		5005240
16	4	Shaft		5005241
17	1	Base structure		5000459
18	2	Grapple pad		31960523
19	1	Sleeper grapple		5000452
20	1	Pin		145000
21	4	Screw		113091
22	4	Nut		130008
23	8	Washer		137012
24	1	Hydraulic cylinder		200008
25	4	Bearing		410000
26	1	Guiding shaft		5005230
27	1	Shaft		5005284
28	1	Sealing kit		205006
29	1	Sealing kit		205039

Item no: **5004000**  
Revision: **C**

Title: Hydraulic power unit

Spare part view

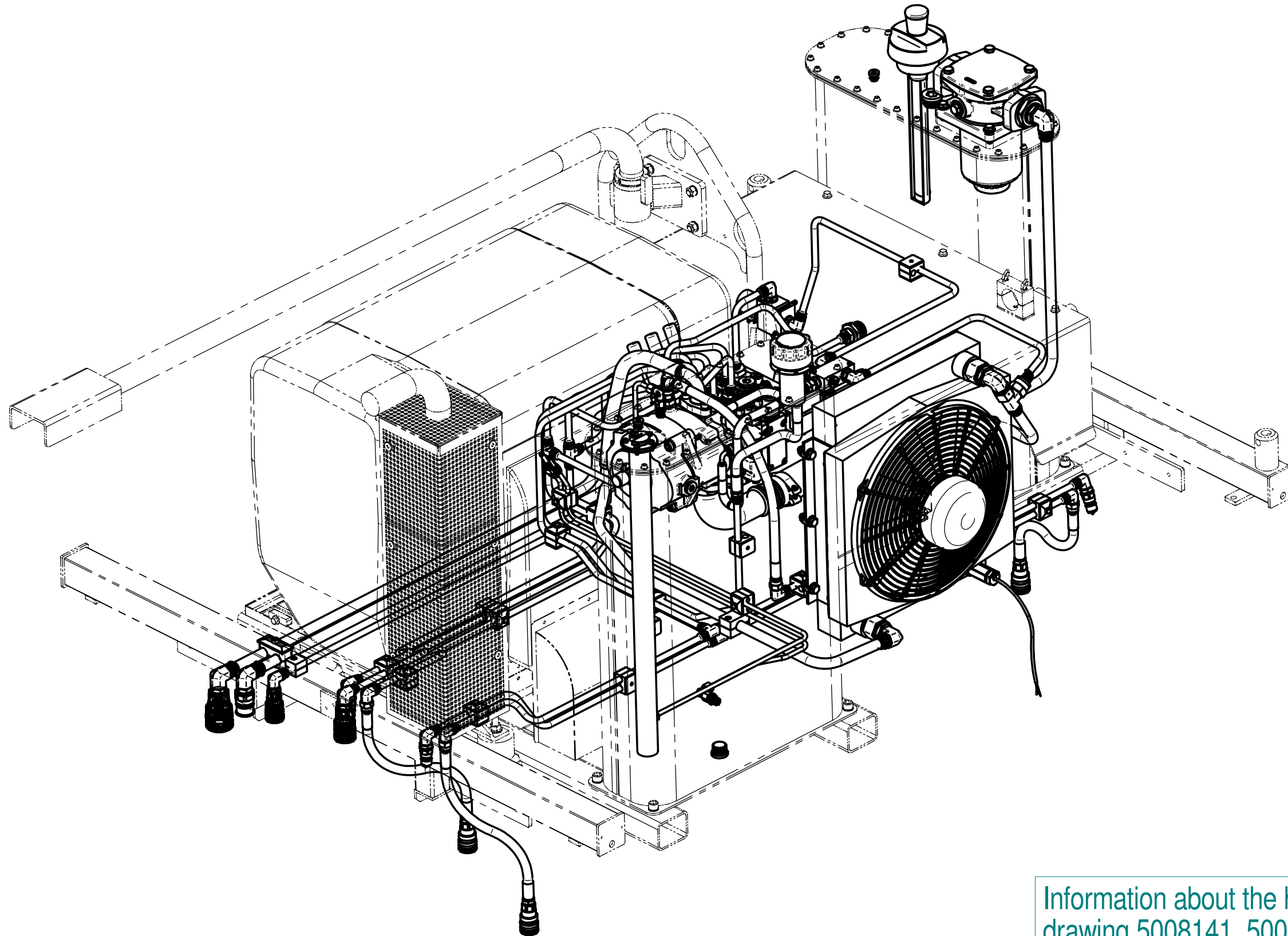


Information about the hoses, see drawing 5008141, 5009903 or 5010557.

Item no: **5004000**  
Revision: **C**

Title: Hydraulic power unit

Spare part view



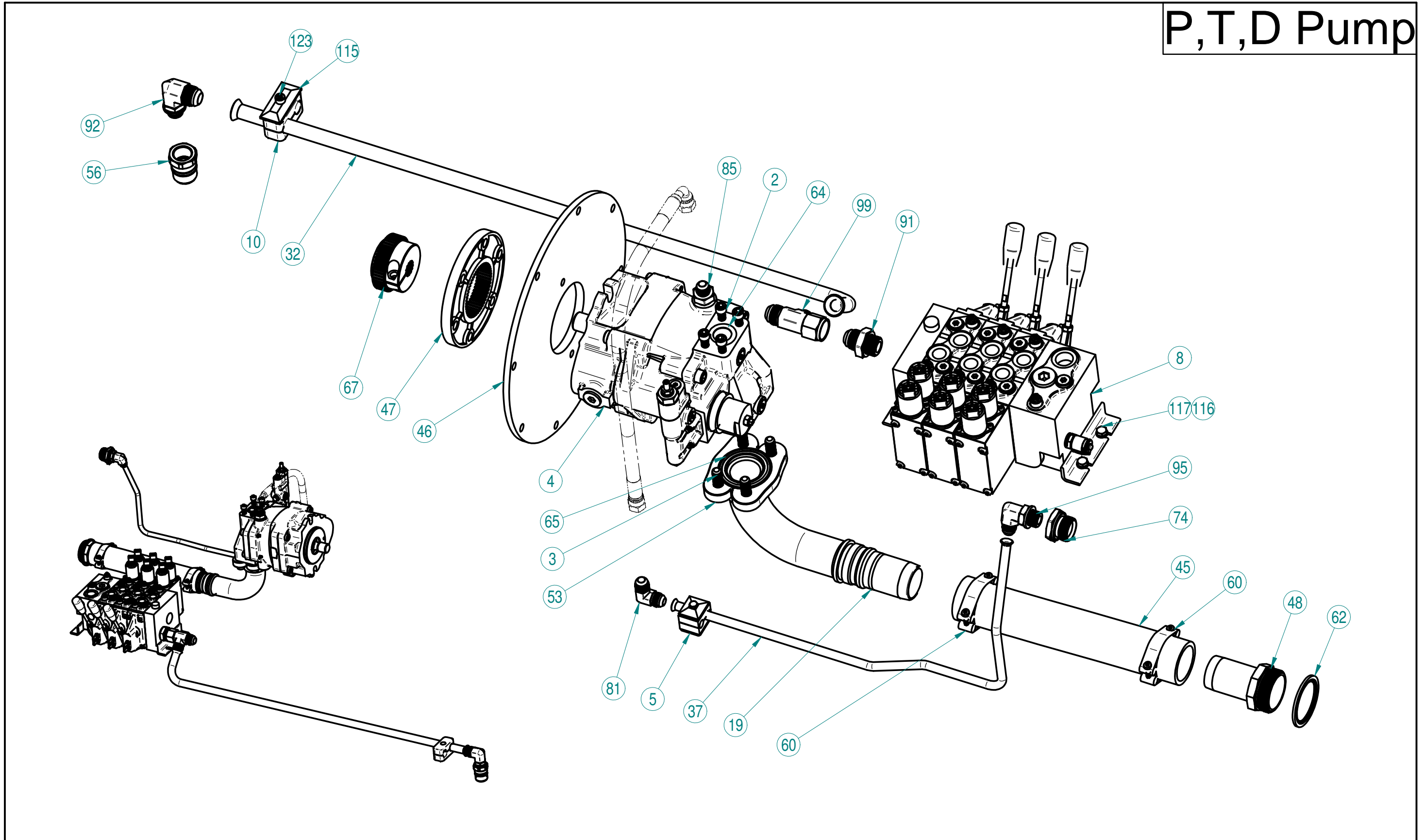
Information about the hoses, see drawing 5008141, 5009903 or 5010557.

Item no: **5004000**  
Revision: **C**

Title: Hydraulic power unit

Spare part view

# P,T,D Pump



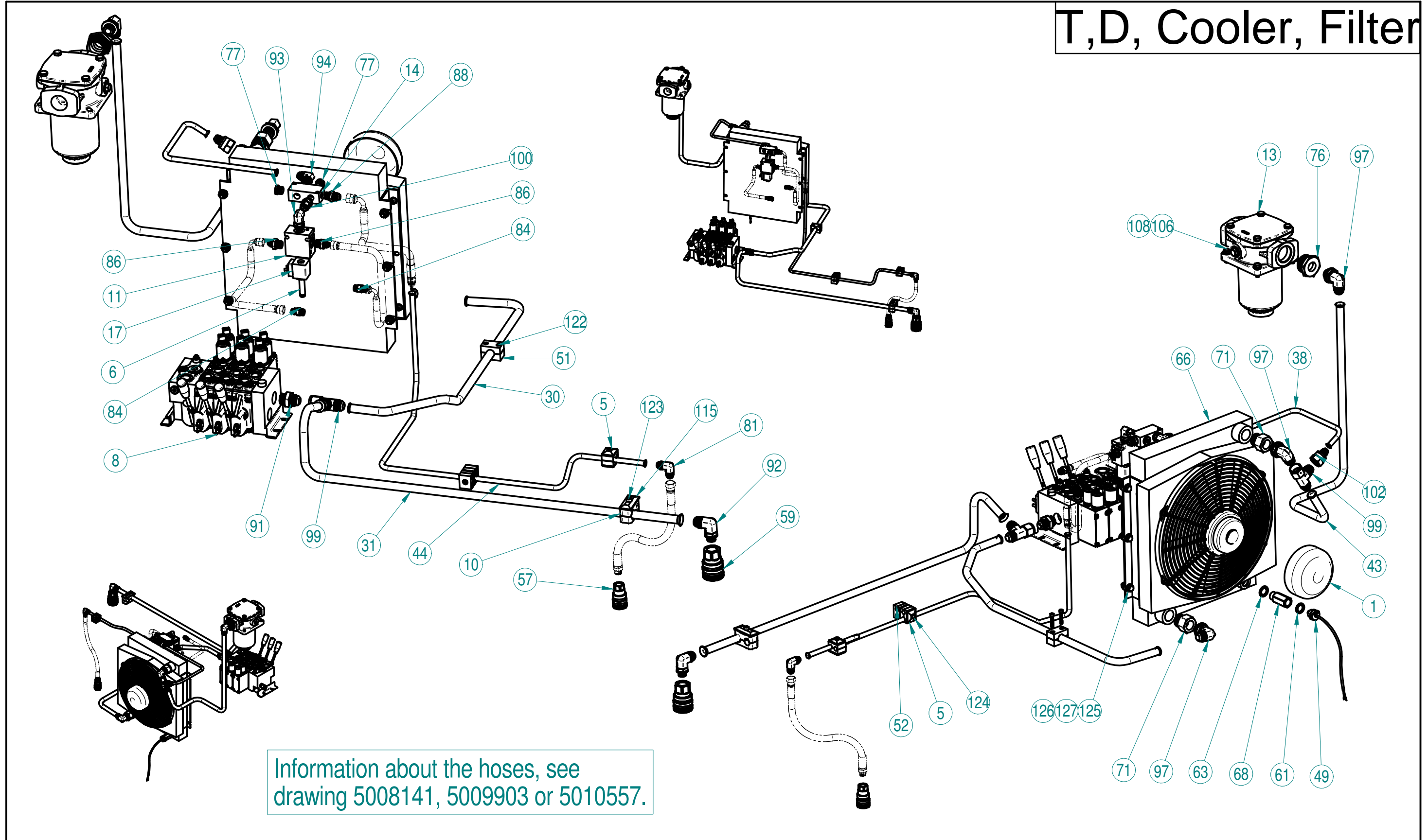


Item no: **5004000**  
Revision: **C**

Title: Hydraulic power unit

Spare part view

# T,D, Cooler, Filter



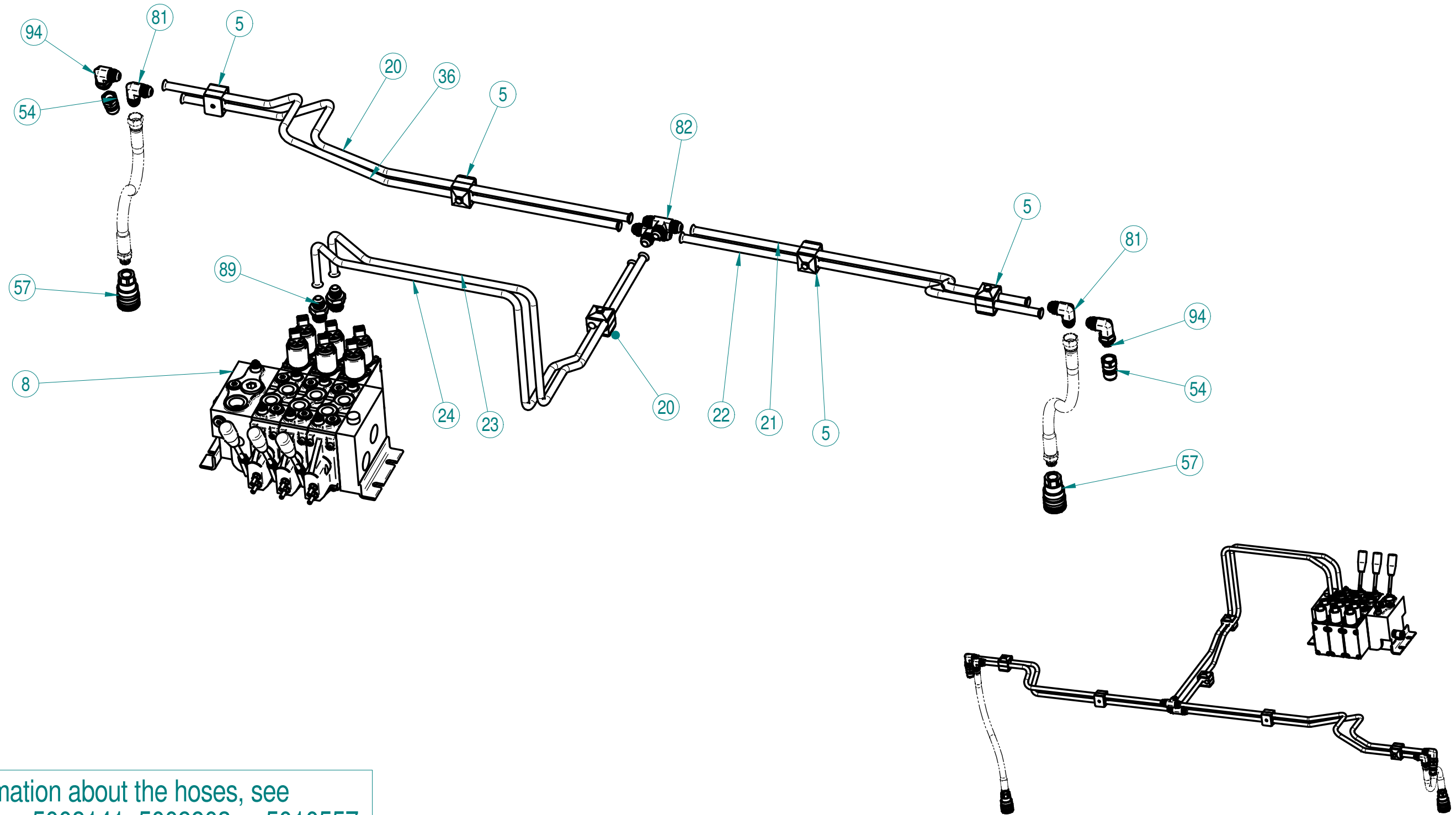
Information about the hoses, see drawing 5008141, 5009903 or 5010557.

Item no: **5004000**  
Revision: **C**

Title: Hydraulic power unit

Spare part view

Wheel tilt



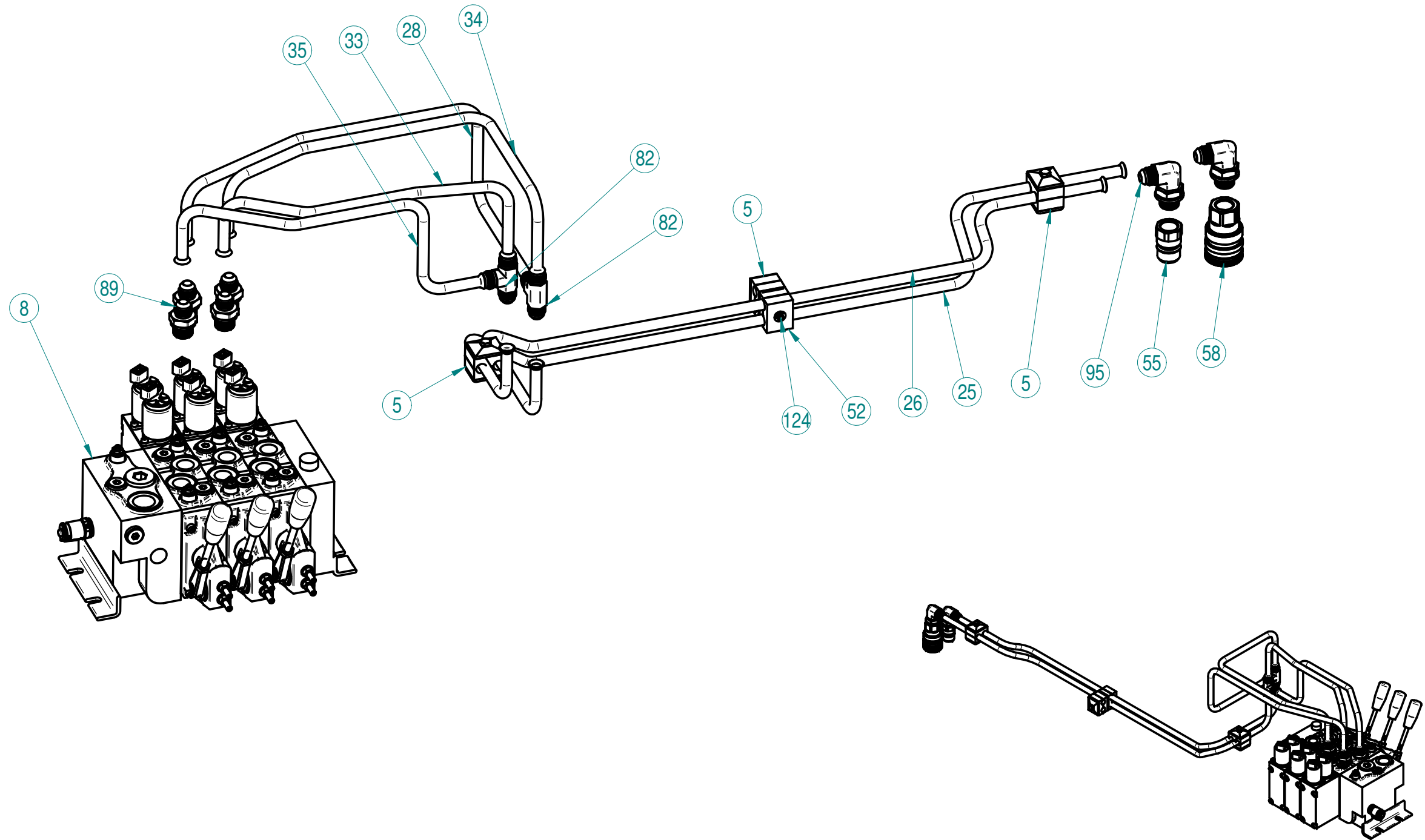
Information about the hoses, see drawing 5008141, 5009903 or 5010557.

Item no: **5004000**  
Revision: **C**

Title: Hydraulic power unit

Spare part view

Drive circuit

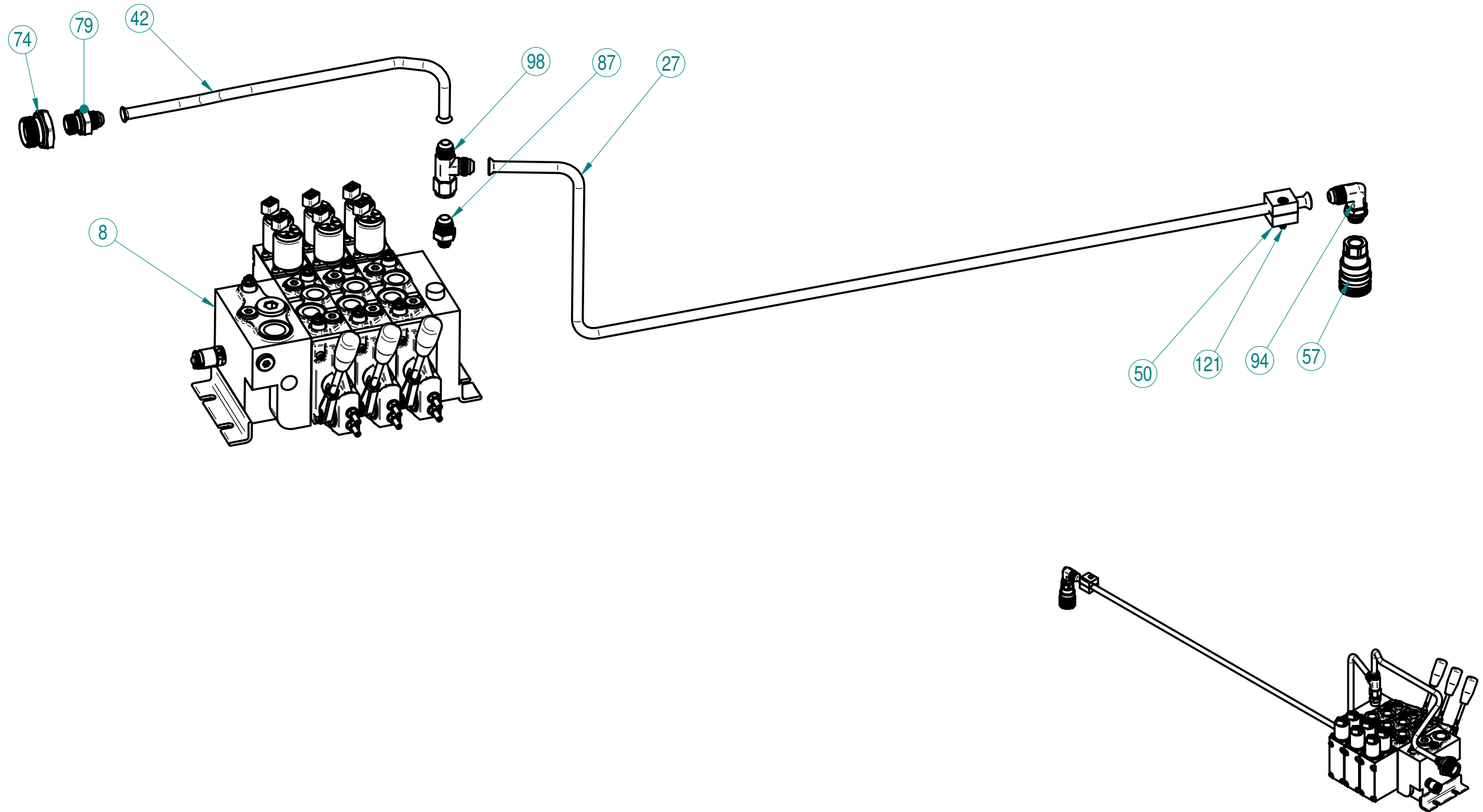


Item no: **5004000**  
Revision: **C**

Title: Hydraulic power unit

Spare part view

# Drain valve banks

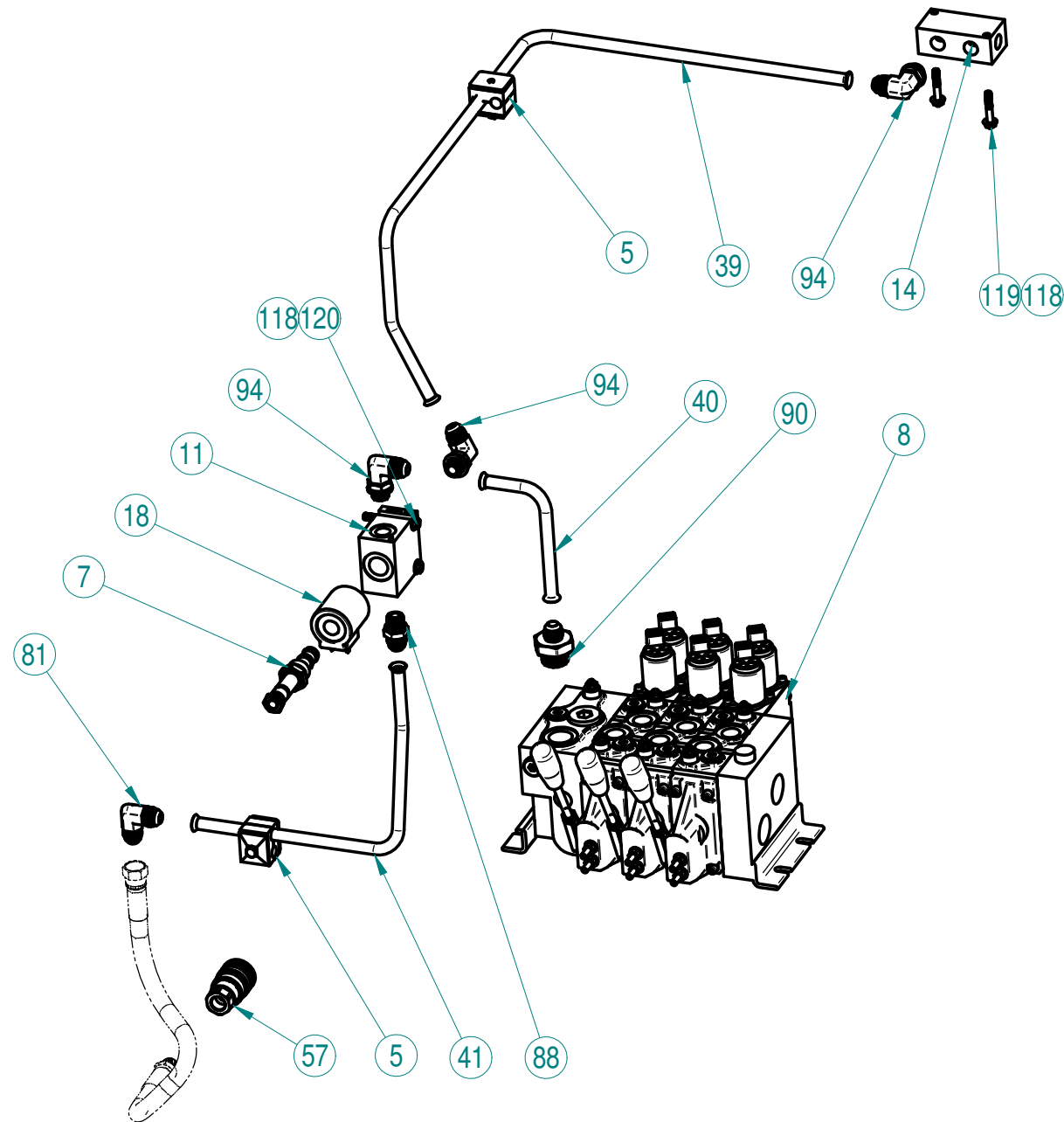


Item no: **5004000**  
Revision: **C**

Title: Hydraulic power unit

Spare part view

# Brake circuit



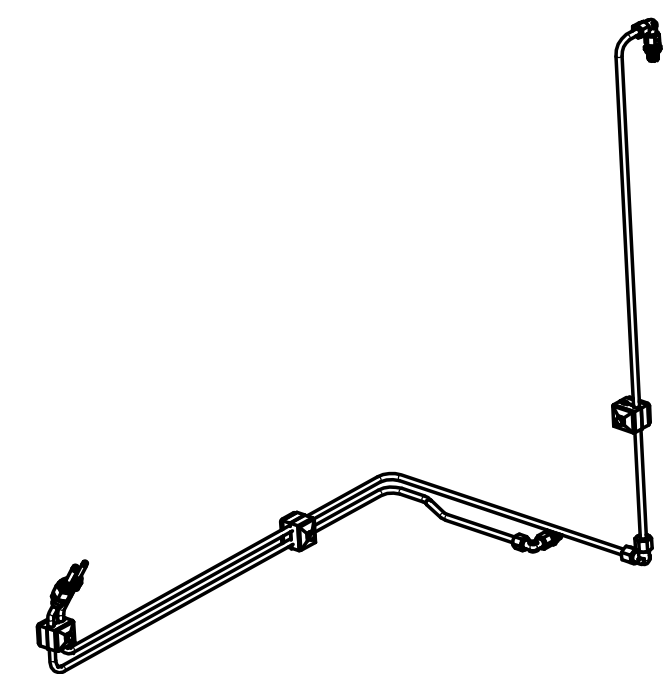
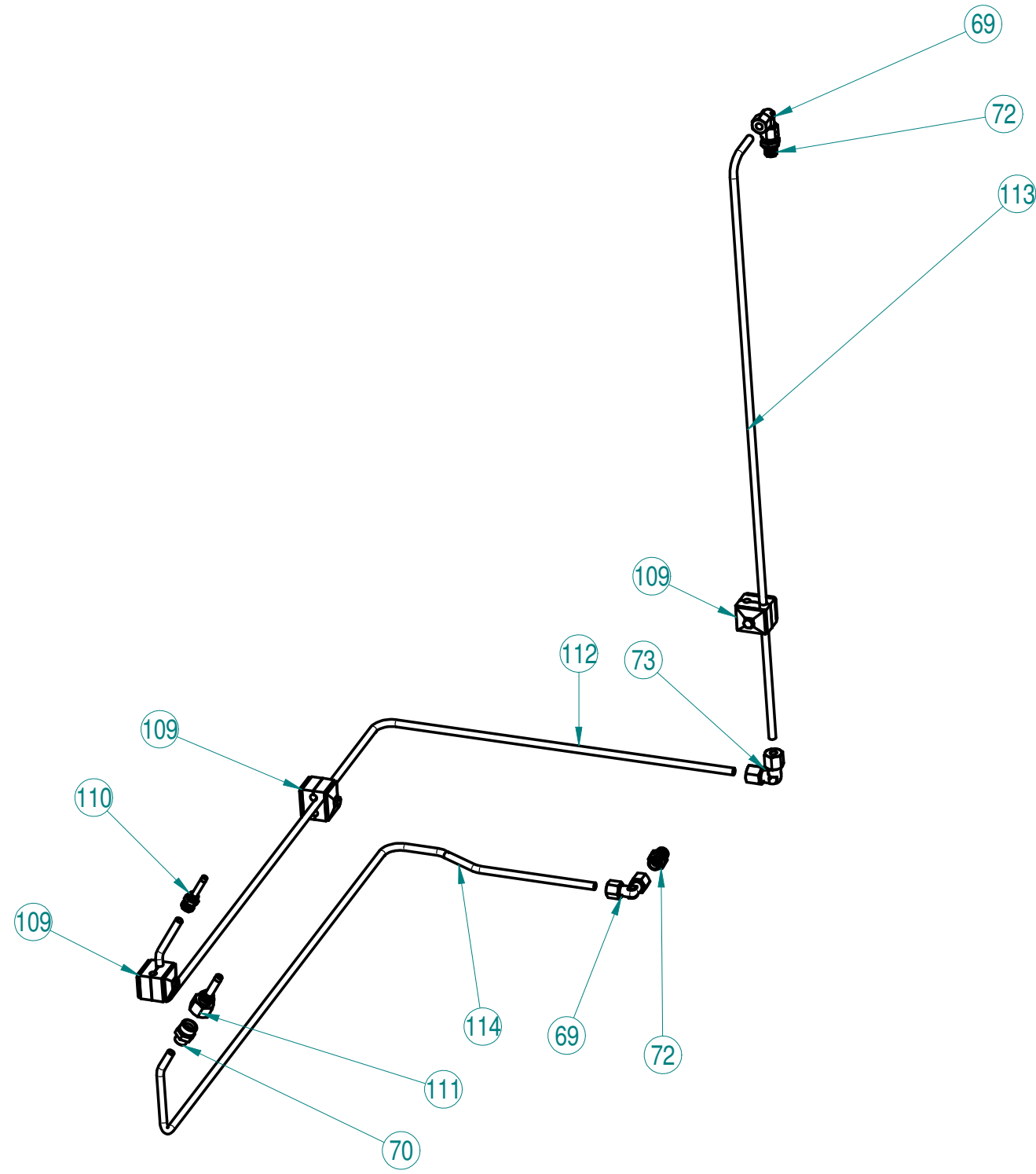
Information about the hoses, see drawing 5008141, 5009903 or 5010557.

Item no: **5004000**  
Revision: **C**

Title: Hydraulic power unit

Spare part view

Fuel line



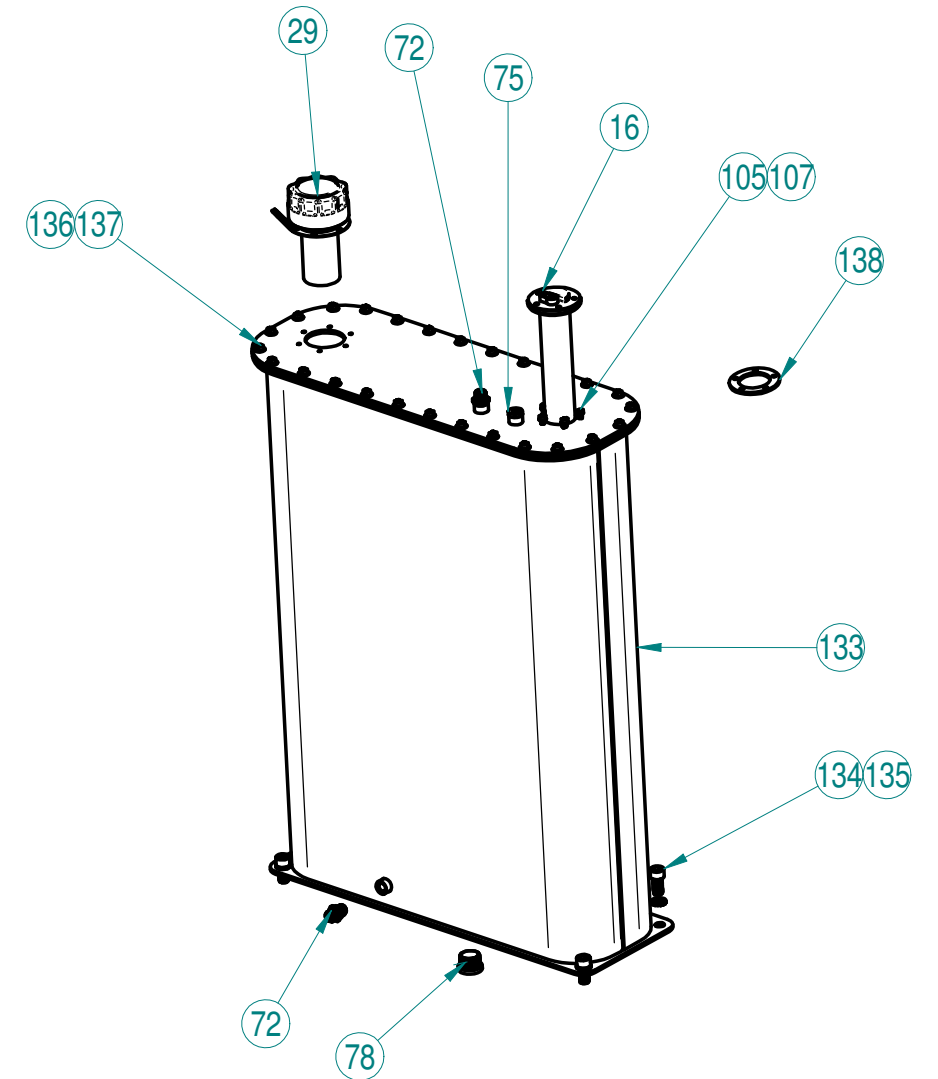
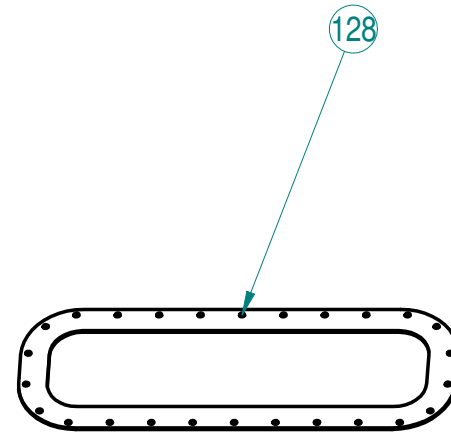
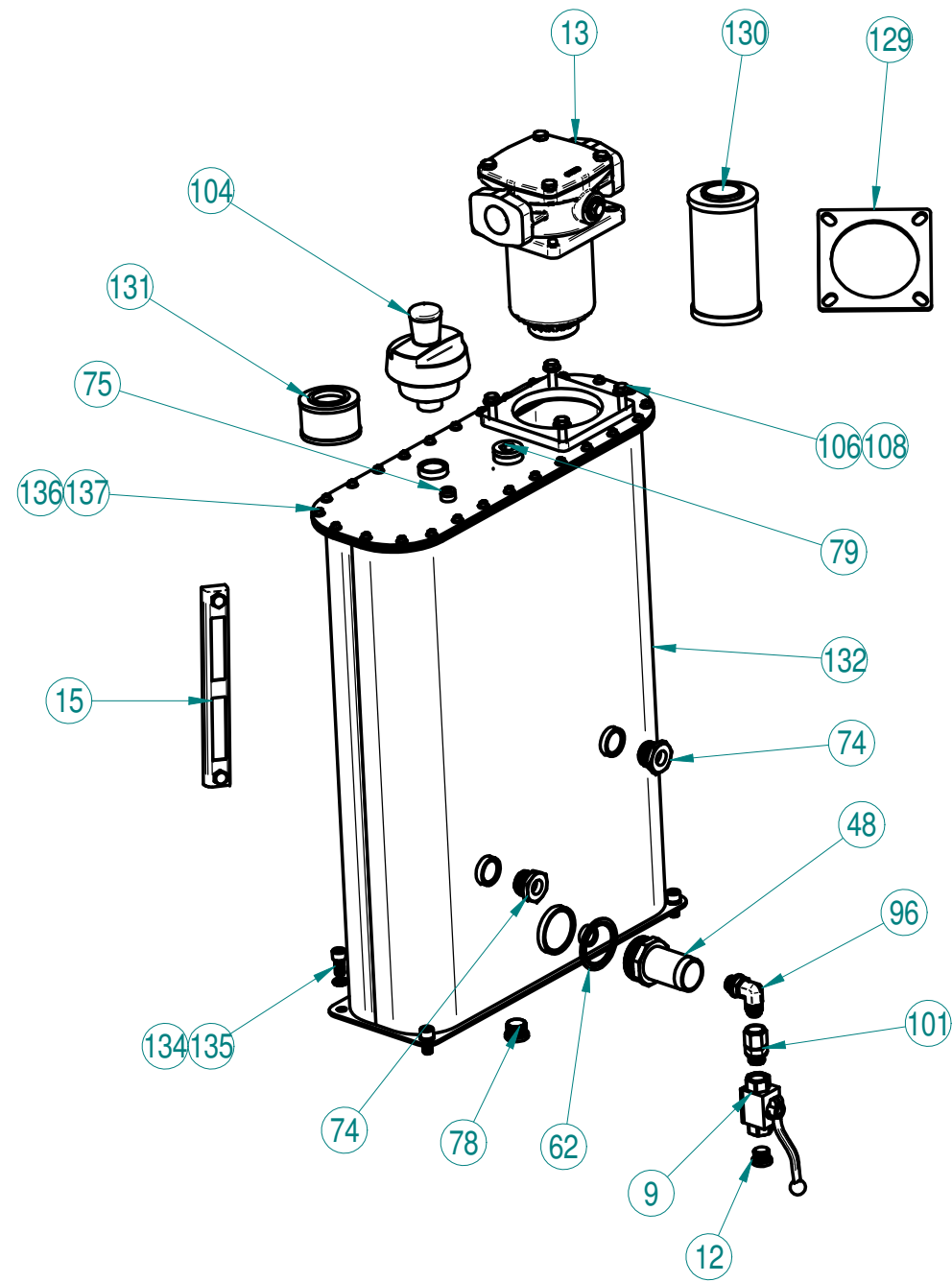
Item no: **5004000**  
Revision: **C**

Title: Hydraulic power unit

Spare part view

# Hydraulic tank

# Fuel tank



Item no: **5004000**  
Revision: **C**

Title: **Hydraulic power unit**  
Title: Hydraulic system and components

### Part list

Pos	Pcs	Title	Description	Item no:
1	1	Fan control		596801
2	4	Screw		118038
3	4	Screw		118071
4	1	Hydraulic pump		203021
5	14	Clamp body		5343-01-12
6	1	Spool		220004
7	1	Spool		220073
8	1	Valve Brevini HPV 41 3-sections		220130
9	1	2-way ball valve		220194
10	1	Clamp body		5390-93-20
11	2	Valve housing		230000
12	1	Plug		7503-00-08
13	1	Filter		295002
14	1	Manifold		3199-0275
15	1	Level glass		3199-0282
16	1	Level indicator		3199-0285
17	1	Solenoid		390039
18	1	Solenoid		390108
19	1	Suction connection 90-degree		4444-32-32
20	1	Wheel tilt (B) / Connection CD400		5003981
21	1	Wheel tilt (B) / Connection CD400		5003982
22	1	Wheel tilt (A) / Connection CD400		5003983
23	1	Brevini S3 / B		5003984
24	1	Brevini S3 / A		5003985
25	1	S1 A / S2-A		5003986
26	1	S1-B / S2-B		5003987
27	1	Drain Brevini / Brevini		5010245
28	1	Brevini S1 / B		5003989
29	1	Filler cap		5003991
30	1	Brevini / Cooler		5003996
31	1	T-Brevini / Brevini		5010243
32	1	P- Brevini / Brevini		5010244
33	1	Brevini S2-A		5003997
34	1	Brevini S2-B		5003998
35	1	Brevini S1-A		5003999
36	1	Wheel tilt (A) / Connection CD400		5004001
37	1	Tank / Pump draining		5004002
38	1	Tank manifold / Cooler		5004003



Item no: **5004000**  
Revision: **C**

Title: **Hydraulic power unit**  
Title: Hydraulic system and components

### Part list

Pos	Pcs	Title	Description	Item no:
39	1	Brake valve / Tank manifold		5004004
40	1	Brevini / Brake valve		5004005
41	1	Brake valve / Connection		5004006
42	1	Brevini draining / Tank		5004009
43	1	Cooler / Tank filter		5004010
44	1	Return pipe motor drainage		5010030
45	1	Suction hose		5004826
46	1	Connection flange SAE B		5005932
47	1	Elastic flange		5005934
48	1	Connection 2"		5074-32-32
49	1	Temperature sw itch		53005471
50	1	Clamp body		5390-41-08
51	1	Clamp body		5390-04-20
52	1	Clamp body		5390-41-12
53	2	SAE-Flange		5540-01-32
54	2	Quick release fitting G3/8" Male		5552-22-06
55	1	Quick release fitting G1/2" Male		5552-22-08
56	1	Quick release fitting G3/4" Male		5552-22-12
57	5	Quick release fitting G3/8" Female		5552-23-06
58	1	Quick release fitting G1/2" Female		5552-23-08
59	1	Quick release fitting G3/4" Female		5552-23-12
60	2	Hose clamp		5566-00-60
61	1	Rubber/Steel w asher		5601-01-08
62	1	Rubber/Steel w asher		5601-01-32
63	1	Rubber/Steel w asher		5601-02-22
64	1	O-ring 1"		5610-02-16
65	1	O-ring 2"		5610-02-32
66	1	Oil cooler		595141
67	1	Drive sleeve		595577
68	1	Adapter		596802
69	2	Adjustable elbow fitting		6051-08-08
70	1	Adapter		5105-12-09
71	2	Adapter		7005-16-12
72	2	Adapter		6009-08-05
73	1	Elbow fitting		6542-08-08
74	2	Adapter		7017-16-08
75	2	Plug		7503-00-04
76	1	Adapter		7017-24-12

Item no: **5004000**  
 Revision: **C**

Title: **Hydraulic power unit**  
 Title: Hydraulic system and components

### Part list

Pos	Pcs	Title	Description	Item no:
77	2	Plug		7503-00-06
78	2	Plug		7503-00-12
79	1	Plug		7503-00-16
80	1	Plug		7503-50-14
81	5	Adapter		7602-12-12
82	4	T-fitting		7603-12-12
83	1	Adapter		7614-09-07
84	2	Adapter		7614-09-09
85	1	Adapter		7614-12-14
86	2	Adapter		7616-09-06
87	1	Adapter		7616-12-04
88	2	Adapter		7616-12-06
89	7	Adapter		7616-12-08
90	1	Adapter		7616-12-12
91	2	Adapter		7616-17-12
92	2	Adjustable elbow fitting		7622-17-08
93	1	Adjustable elbow fitting		7622-09-06
94	7	Adjustable elbow fitting		7622-12-06
95	3	Adjustable elbow fitting		7622-12-08
96	1	Adjustable elbow fitting		7622-14-08
97	3	Adjustable elbow fitting		7622-17-12
98	1	L-fitting swivel nut		7663-12-12
99	3	L-fitting swivel nut		7663-17-17
100	1	Adapter		7666-09-06
101	1	Adapter		7666-14-08
102	1	Adapter		7670-17-12
103	1	Test nipple M16x2 G1/4"		8301-00-04
104	1	Filler cap		295018
105	5	Screw		113018
106	4	Screw		102080
107	5	Washer		137002
108	4	Washer		139007
109	3	Clamp body		5343-01-08
110	1	Press coupling M14 - 8		4220-14-08
111	1	Press coupling M20 Nut - 12		4270-12-05-2
112	1	Fuel pipe		5010247
113	1	Fuel pipe		5010248
114	1	Fuel pipe		5010249

Item no: **5004000**  
 Revision: **C**

Title: **Hydraulic power unit**  
 Title: Hydraulic system and components

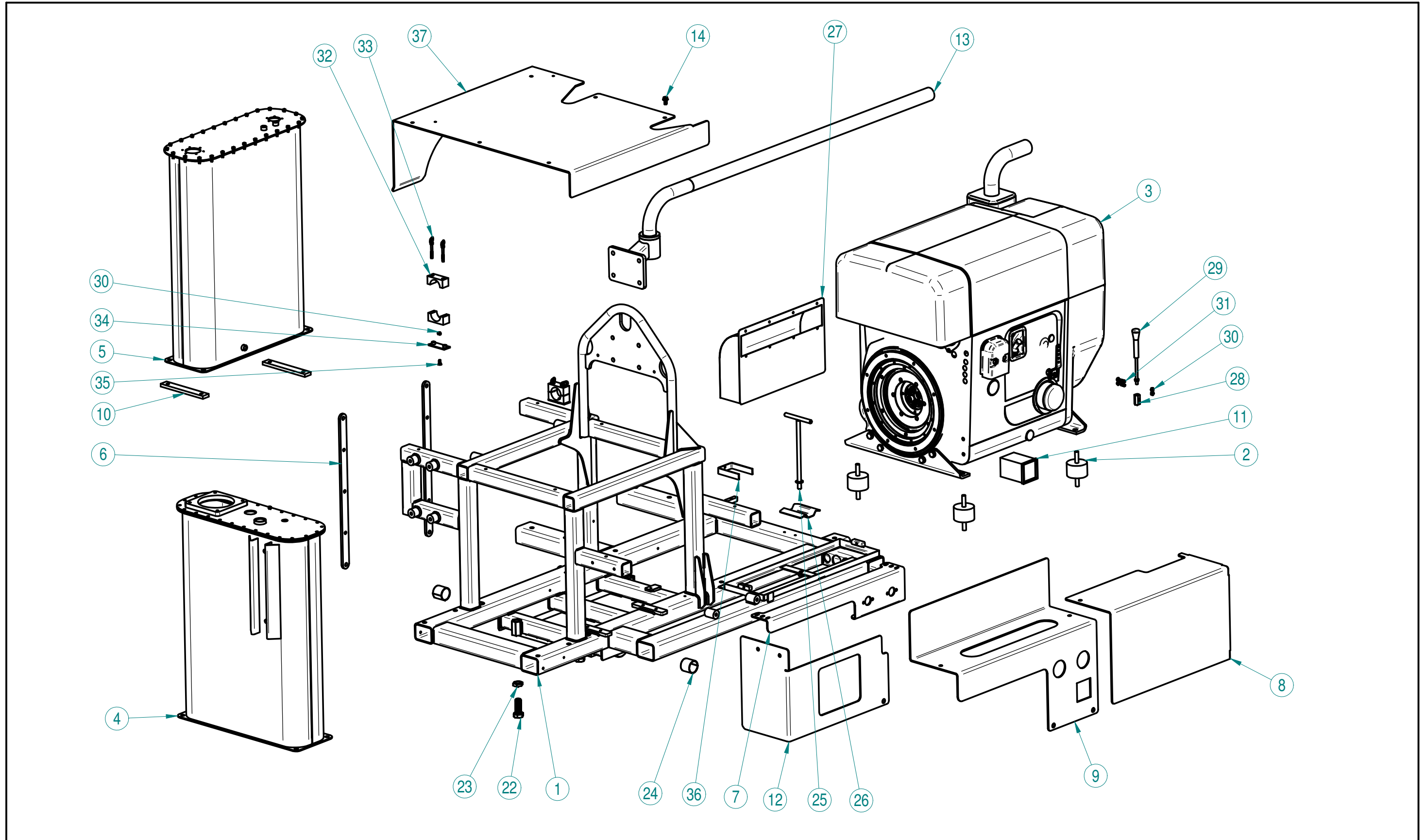
### Part list

Pos	Pcs	Title	Description	Item no:
115	1	Cover plate		5394-13-01
116	4	Washer		137005
117	4	Screw		102053
118	4	Screw		137003
119	2	Screw		103025
120	2	Screw		103027
121	1	Screw		113036
122	2	Screw		113037
123	1	Screw		114044
124	1	Screw		101020
125	12	Washer		137007
126	6	Nut		130005
127	6	Screw		102080
128	2	Sealing		3199-1256
129	1	Sealing		295030
130	1	Filter element		295001
131	1	Filter element		295027
132	1	Hydraulic tank		3199-0217
133	1	Fuel tank		3199-0214
134	8	Screw		115066
135	8	Washer		142009
136	52	Screw		113031
137	52	Washer		137003
138	1	Sealing		295028

Item no: **5003870**  
Revision: **F**

Title: Power unit CD400 SP

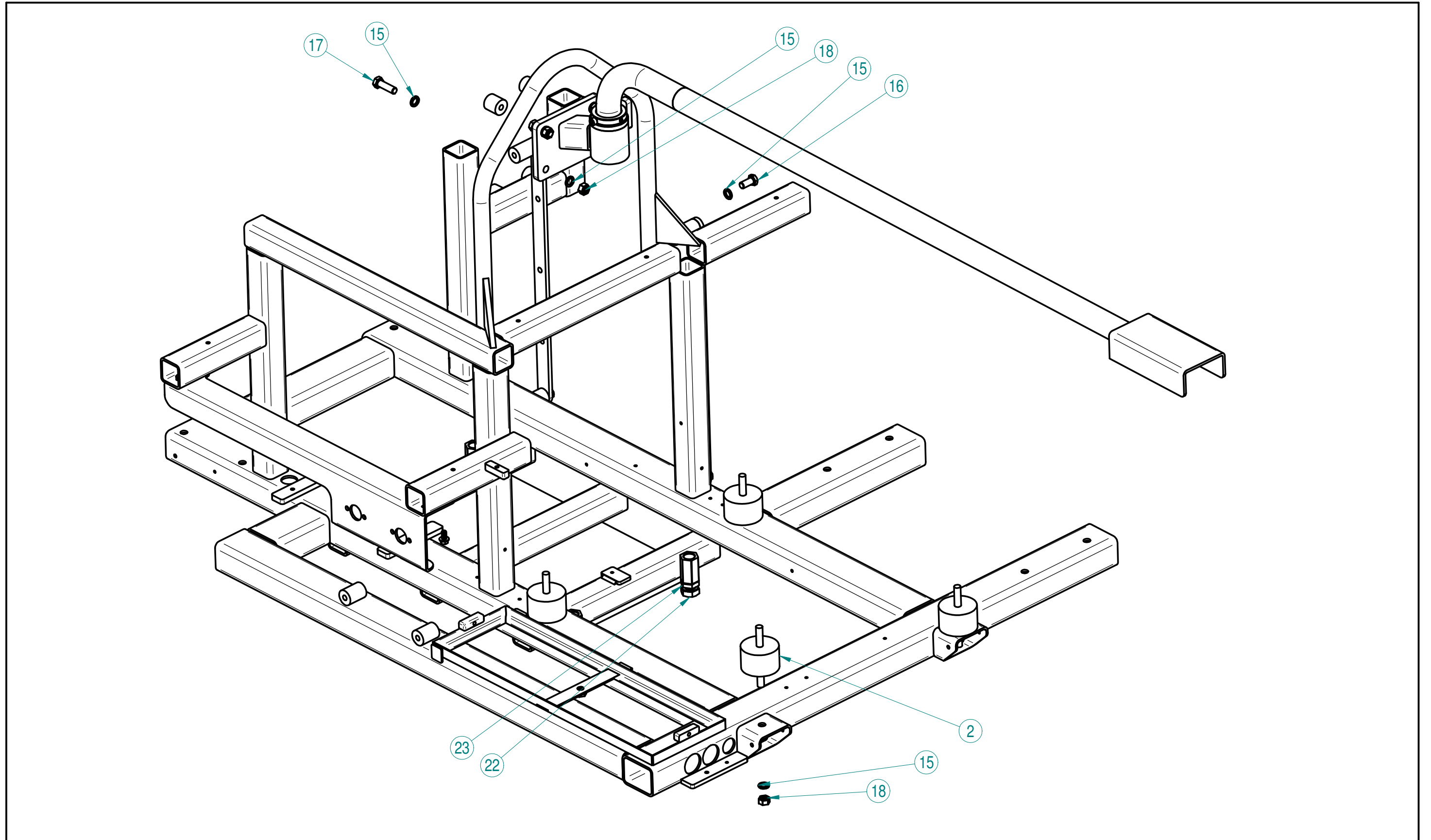
Spare part view



Item no: **5003870**  
Revision: **F**

Title: Power unit CD400 SP

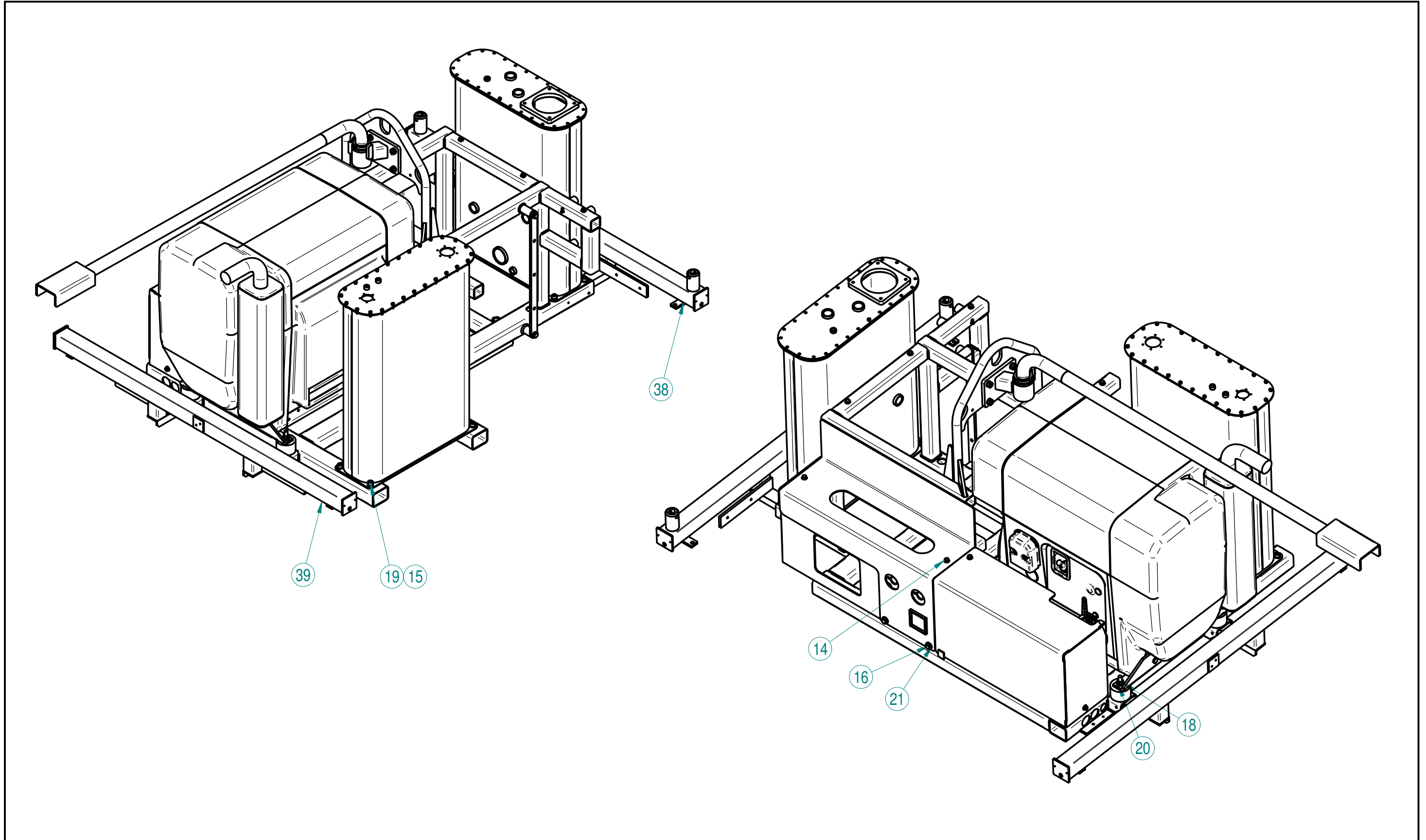
Spare part view



Item no: **5003870**  
Revision: **F**

Title: Power unit CD400 SP

Spare part view



Item no: **5003870**  
 Revision: **F**

Title: **Power unit CD400 SP**  
 Title: **Mounting kit motor unit**

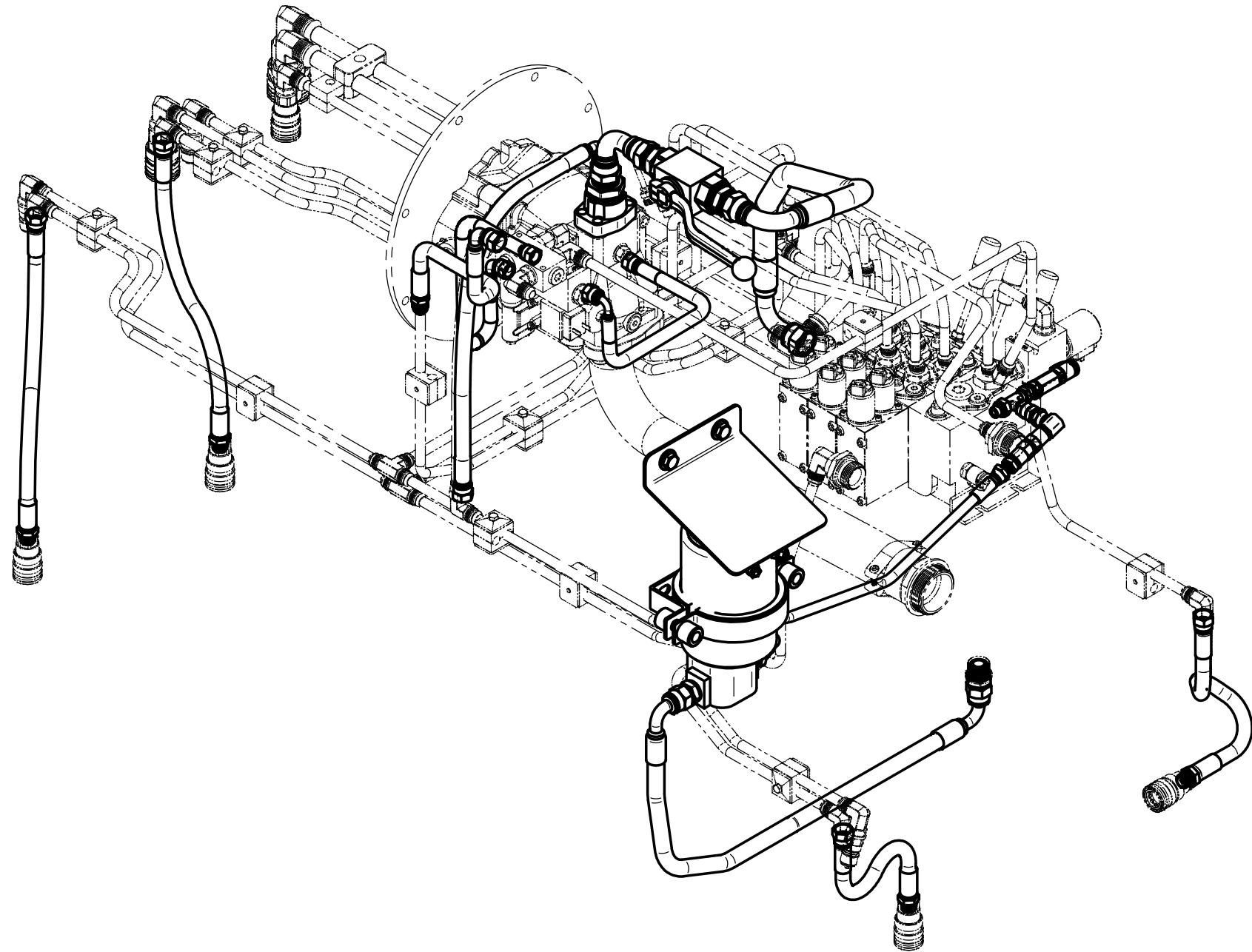
### Part list

Pos	Pcs	Title	Description	Item no:
1	1	Frame		5009920
2	4	Vibration isolator		3199-0965
3	1	Motor		595538
4	1	Hydraulic tank 70L		3199-0217
5	1	Fuel tank 70L		3199-0214
6	2	Bracket oil cooler		3199-0242
7	1	Bracket sw itch		5010015
8	1	Cover		5010010
9	1	Cover		5010013
10	4	Bracket tank		3199-0270
11	1	Instrument box Hatz		instrumentbox
12	1	Cover		5010014
13	1	Arm		5004104
14	16	Screw		109133
15	24	Washer		142009
16	6	Screw		102102
17	4	Screw		102105
18	12	Nut		126006
19	8	Screw		115066
20	4	Washer		142019
21	2	Washer		137009
22	4	Screw		104134
23	4	Nut		129010
24	2	Bearing		410004
25	1	Battery screw		5006887
26	1	Bracket		5006886
27	1	Exhaust cover Hatz 3L41C		5006835
28	1	Bracket		5006899
29	1	Lever		595088
30	4	Nut		130002
31	2	Screw		103024
32	2	Clamp		5390-06-45
33	4	Screw		5008137
34	2	Weld plate		5691-06-01
35	2	Screw		122037
36	1	Bracket		5008125
37	1	Cover		5009908
38	1	Emergency brake beam		5005107
39	1	Emergency brake beam		5005104

Item no: **5009903**  
Revision: **B**

Title: Nödkörningsmodul

Spare part view

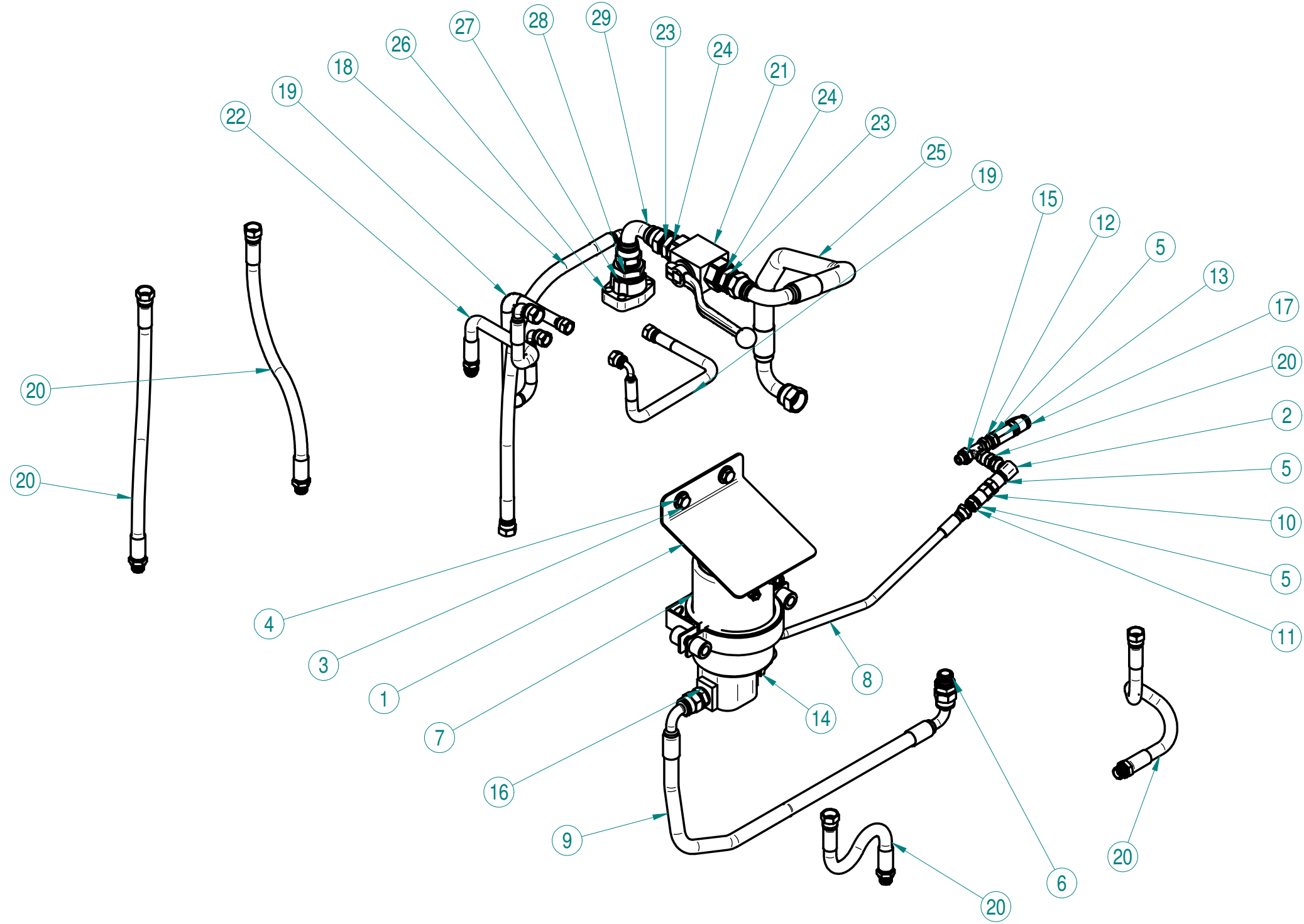




Item no: **5009903**  
Revision: **B**

Title: Nödkörningsmodul

Spare part view



Item no: **5009903**  
 Revision: **B**

Title: **Nödkörningsmodul**  
 Title: Hose kit emergency operation

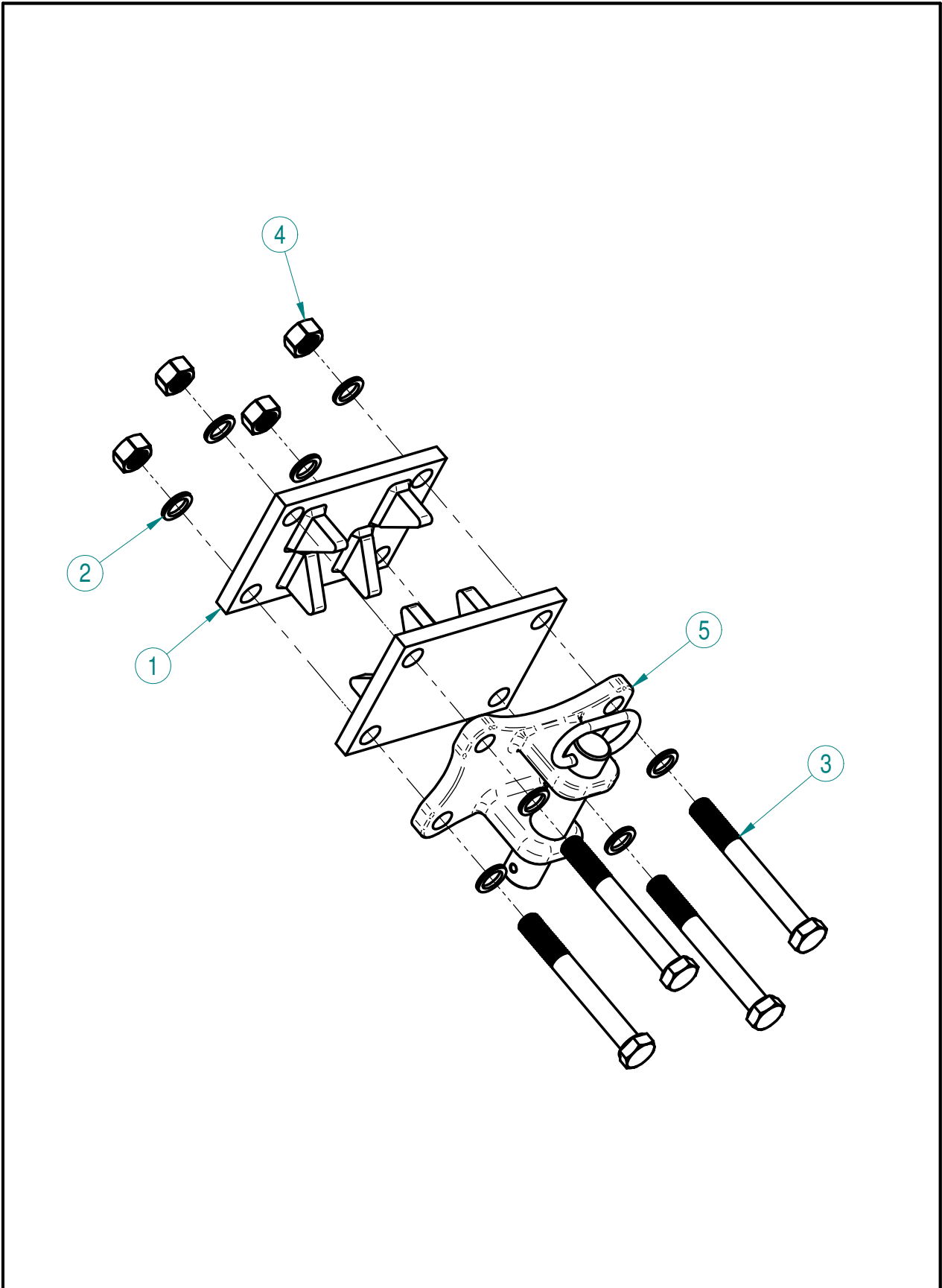
### Part list

Pos	Pcs	Title	Description	Item no:
1	1	Cover plate		5009882
2	1	Elbow fitting		7201-04-04
3	2	Screw		102100
4	2	Washer		137009
5	3	Rubber/Steel w asher		251002
6	1	Adapter		7616-14-08
7	1	Pow erpack emergency operation		5009904
8	1	Pump-P		5010137
9	1	Suction hose		5010138
10	1	Check valve		5558-04-04
11	1	Adapter		7002-04-04
12	2	Adapter		7008-04-04
13	1	Adapter		7011-04-04
14	1	Adapter		7012-04-08
15	1	L-fitting		7414-04-04
16	1	Adapter		7611-14-08
17	1	Test nipple M16x2 G1/4"		8301-00-04
18	1	Leak		5007163
19	2	Pump-LS		5008178
20	4	Wheel tilt / Brake		5007155
21	1	2-way ball valve		8031-12-12
22	1	Tank		5010007
23	2	Adapter		7002-12-12
24	2	Rubber/Steel w asher		5601-01-12
25	1	Pump-P		5010139
26	1	Flange		5541-00-16
27	1	Rubber/Steel w asher		5601-01-16
28	1	Adapter		7002-12-16
29	1	Elbow fitting		7206-12-12

Item no: **5008095**  
Revision: **A**

Title: Drag kompl. CD400 SP

Spare part view



Item no: **5008095**  
Revision: **A**

Title: **Drag kompl. CD400 SP**  
Title: Trailer attachment

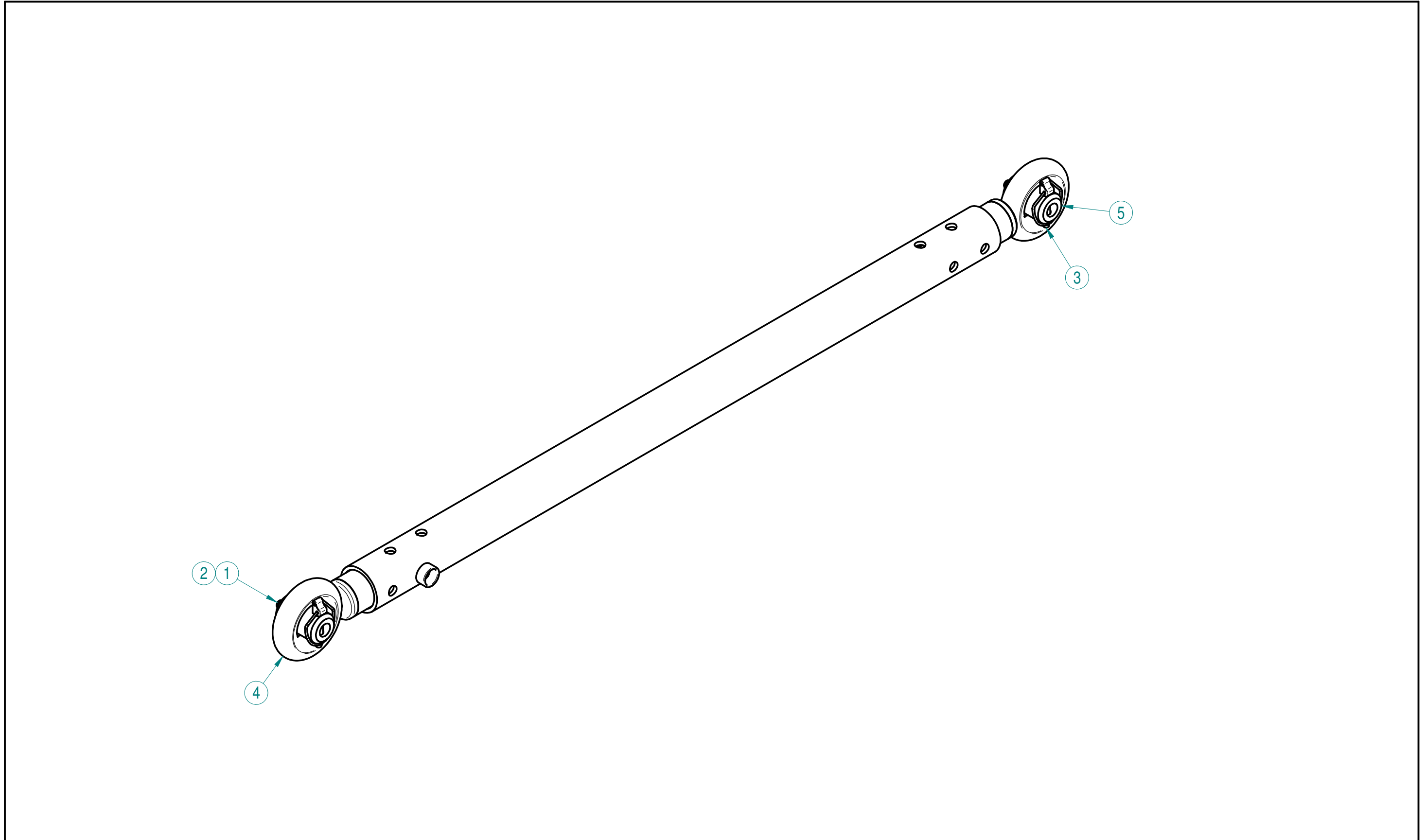
### Part list

Pos	Pcs	Title	Description	Item no:
1	2	Fixating plate		5008096
2	8	Washer		142015
3	4	Screw		103226
4	4	Nut		126010
5	1	Trailer attachment		595012

Item no: **5007896**  
Revision: **C**

Title: DRAGSTÅNG

Spare part view



Item no: **5007896**  
Revision: **C**

Title: **DRAGSTÅNG**  
Title: Tie rod

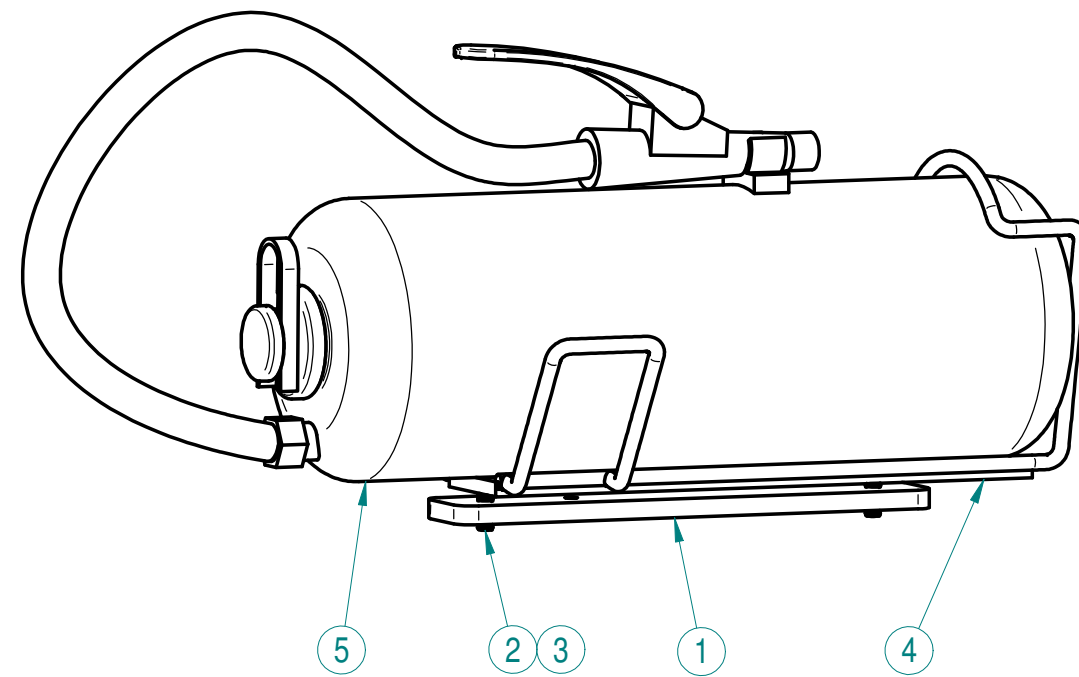
### Part list

Pos	Pcs	Title	Description	Item no:
1	2	Screw		115071
2	2	Washer		142009
3	2	Pin		145013
4	1	Tie rod 1400 mm		5000331
5	2	Bracket		5007948

Item no: **5010177**  
Revision: **A**

Title: Brandsläckare

Spare part view



Item no: **5010177**  
Revision: **A**

Title: **Brandsläckare**  
Title: Fire extinguisher

### Part list

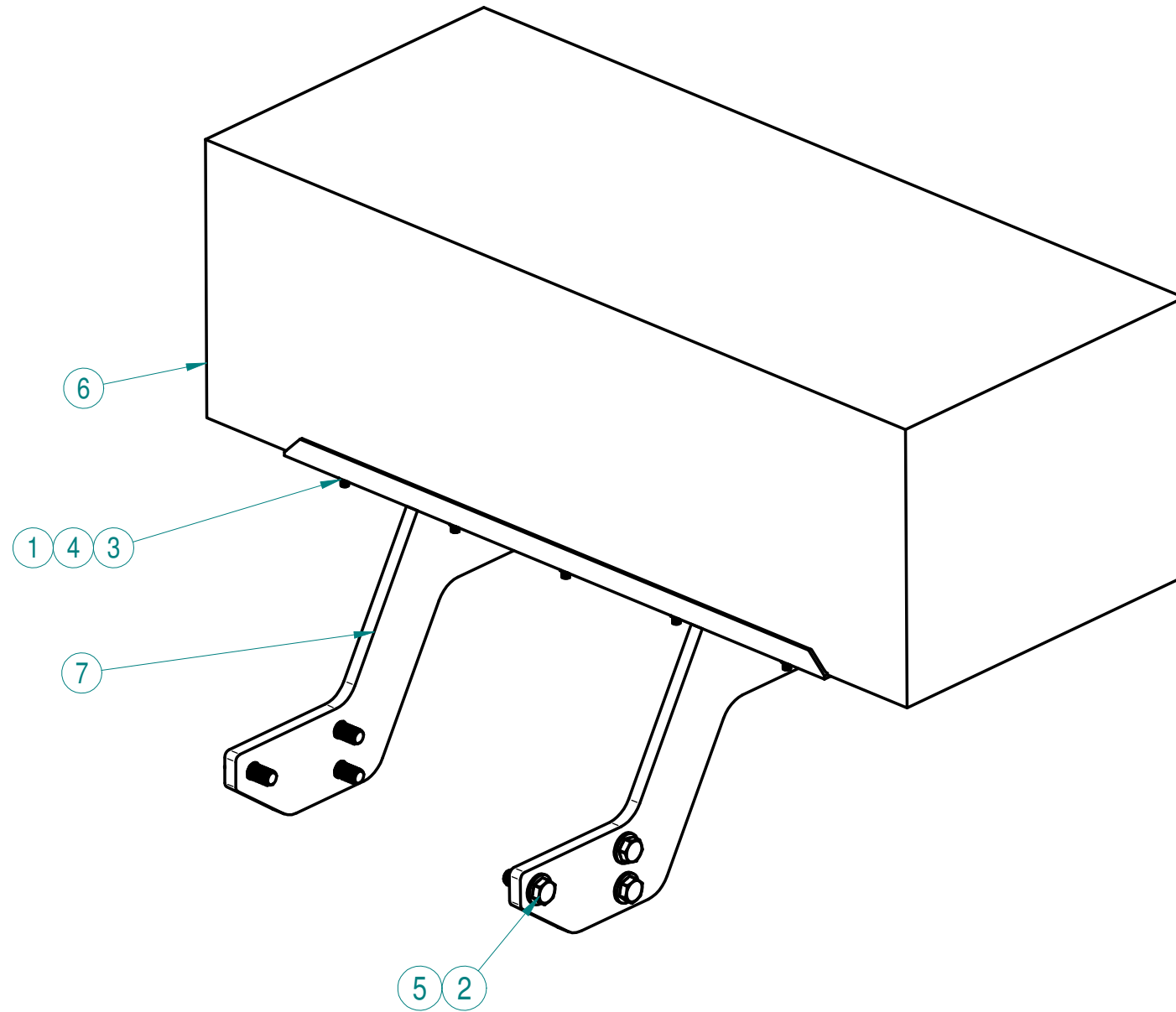
Pos	Pcs	Title	Description	Item no:
1	1	Plate		5010178
2	2	Screw		102058
3	2	Washer		137005
4	1	Bracket		596818
5	1	Fire extinguisher 6Kg		596827



Item no: **5010808**  
Revision: **A**

Title: Verktvylåda kompl.

Spare part view



Item no: **5010808**  
Revision: **A**

Title: **Verktygslåda kompl.**  
Title: Tool box

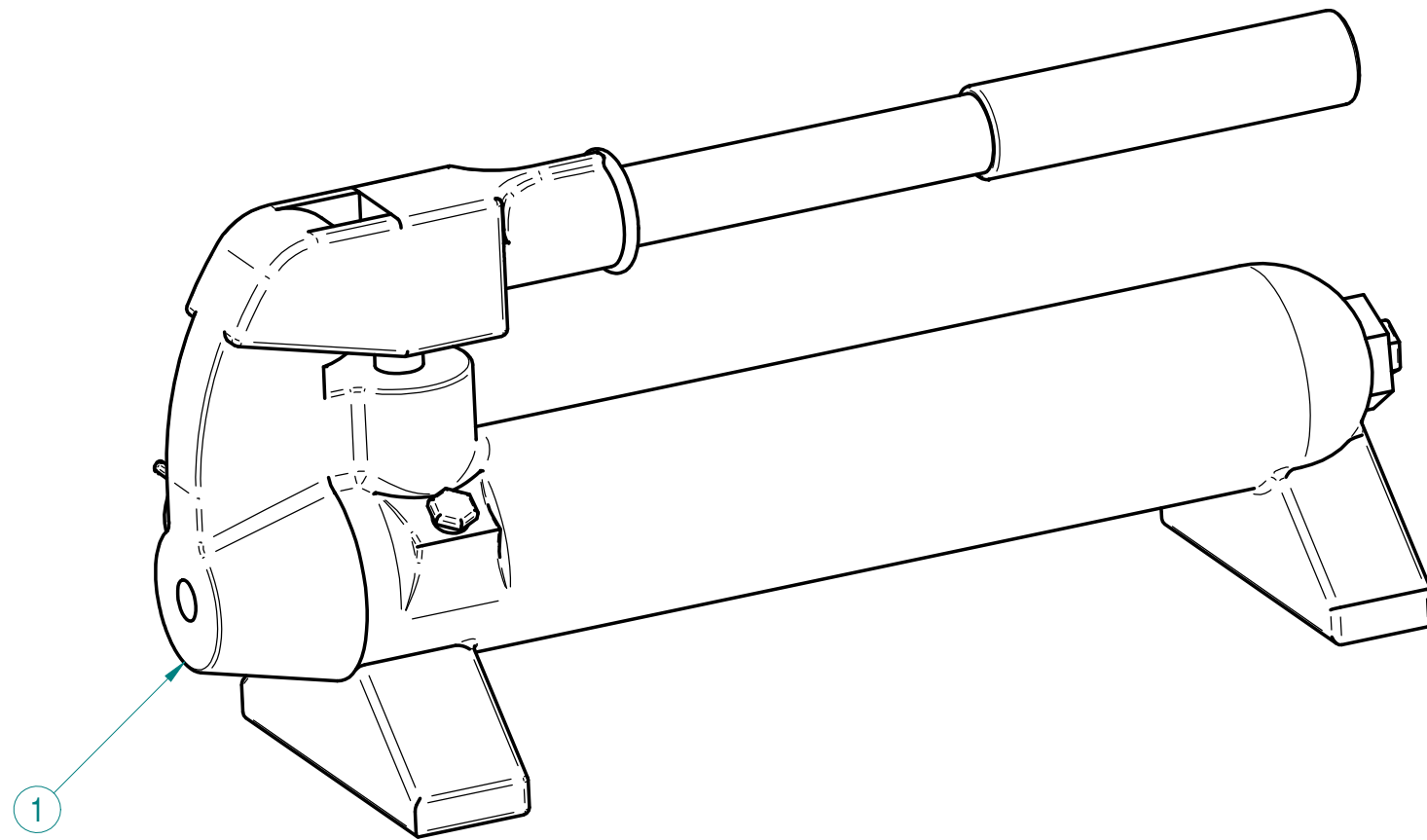
### Part list

Pos	Pcs	Title	Description	Item no:
1	10	Screw		100033
2	6	Screw		102104
3	10	Nut		130002
4	20	Washer		137003
5	6	Washer		137009
6	1	Tool box		5004571
7	1	Bracket		5006930

Item no: **595575**  
Revision:

Title: Porto Power

Spare part view



Item no: **595575**  
Revision:

Title: **Porto Power**  
Title: Porto Power

### Part list

Pos	Antal	Artikel	Beskrivning	Artikelnr.
1	1	Porto Power		595575

Item no: **5010557**

Title: Slangsats CD400 ram

Revision: **A**

## Spare part view

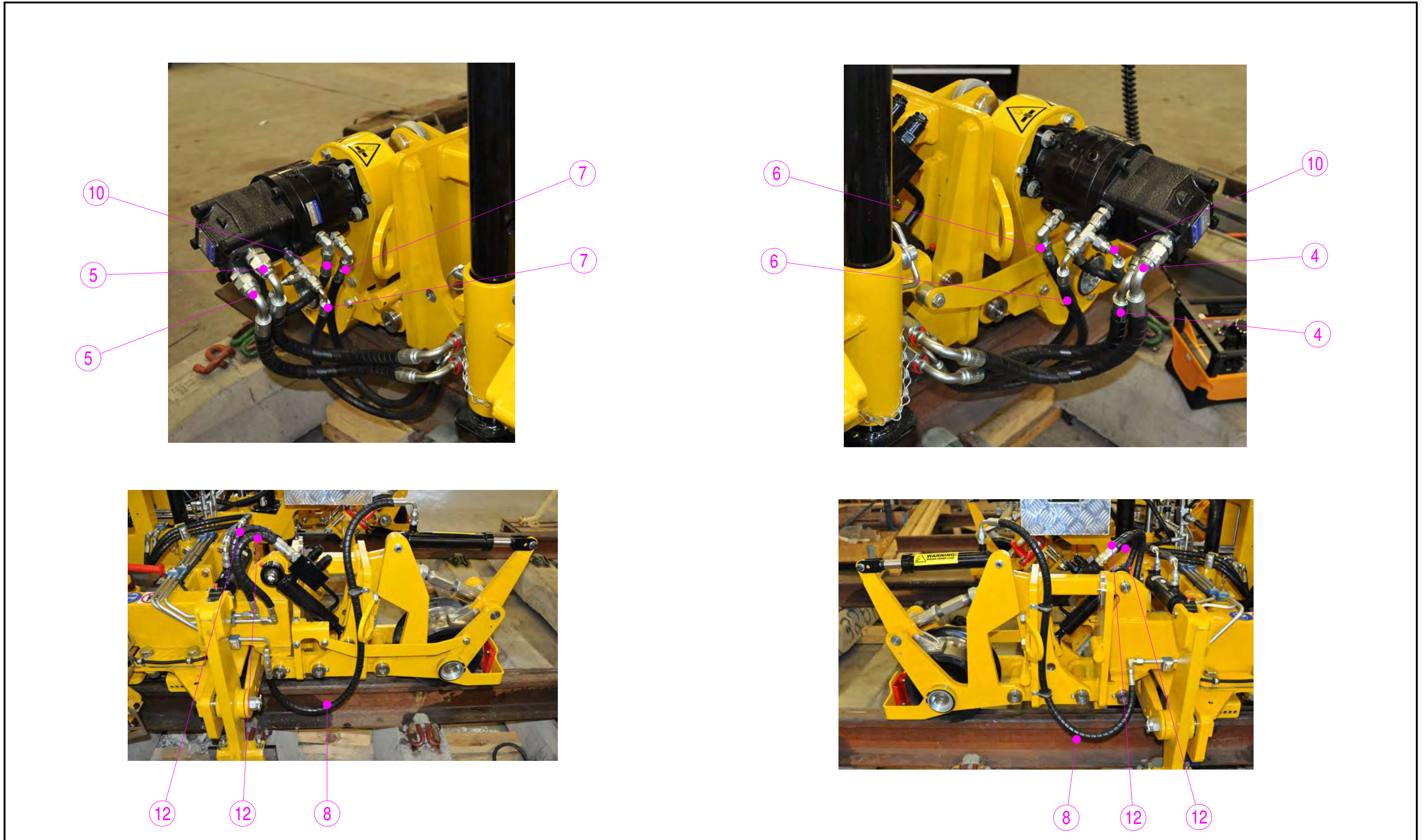
**CD400 Module frame**

Pos	Pcs	Hose Kappaflex 2K CO	Total Length	Coupling 1	Coupling 2	Angle	Function	Coupling 1	Coupling 2	Part number
1	2	1105-10-12	0,57	4202-12-12	4214-17-12		Pump / tank con.	3/4" BSP male	1-1/6" JIC male	5007050-A
2	1	1105-10-06	0,55	4202-06-06	4214-12-06		Leak	3/8" BSP male	3/4" JIC male	5007051-A
3	2	1105-10-08	0,45	4202-08-08	4213-13-08		Wheel motor	1/2" BSP male	3/4" JIC female	5007052-B
4	2	1105-10-08	0,54	4216-14-08	3C147140808	90°	Wheel motor	7/8" JIC female 90°	1/2" Plug-in 3C147140808 male 90°	5007054-A
5	2	1105-10-08	0,54	4216-14-08	3C147140808	270°	Wheel motor	7/8" JIC female 90°	1/2" Plug-in 3C147140808 male 90°	5007055-A
6	2	1105-10-04	0,55	4216-09-04	3C147140404	90°	Leak	9/16" JIC female 90°	1/4" Plug-in 3C147140404 male 90°	5007151-B
7	2	1105-10-04	0,55	4216-09-04	3C147140404	270°	Leak	9/16" JIC female 90°	1/4" Plug-in 3C147140404 male 90°	5007152-B
8	2	1105-10-06	1,05	4213-12-06	4216-12-06		P-Brake	3/4" JIC female	3/4" JIC female 90°	5007153-B
9	6	1105-10-06	0,46	4202-06-06	4213-12-06		Wheel tilt	3/8" BSP male	3/4" JIC female	5007155-C
10	2	1105-10-04	0,25	4216-09-04	4213-09-04		Leak	9/16" JIC female 90°	9/16" JIC female	5010554-A
11	1	1105-10-06	0,65	4214-12-06	4213-12-06		Brake	3/4" JIC male	3/4" JIC female	5010555-A
12	8	1105-10-06	0,48	4213-12-06	4213-12-06		Wheel tilt	3/4" JIC female	3/4" JIC female	5010556-A

Item no: **5010557**  
Revision: **A**

Title: Slangsats CD400 ram

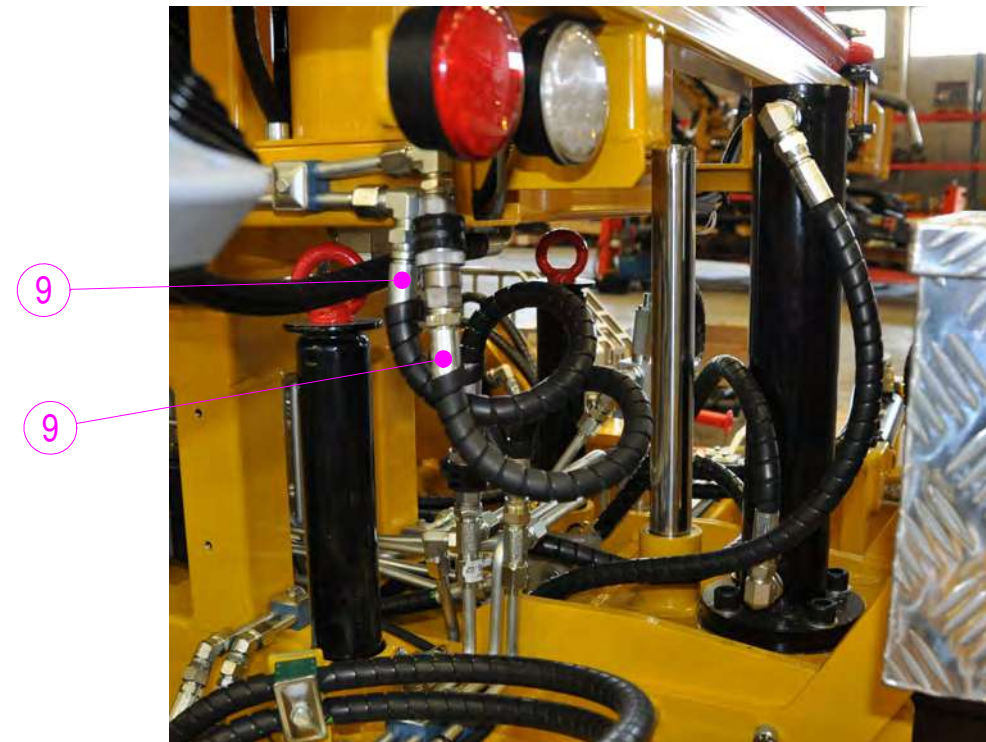
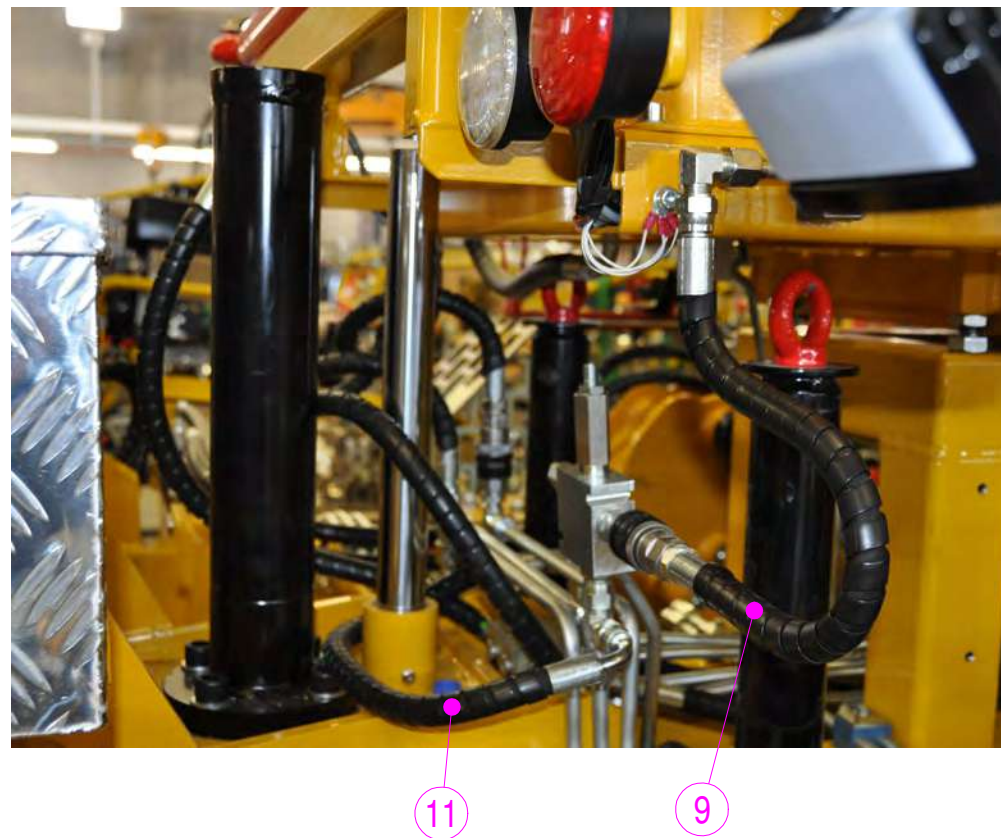
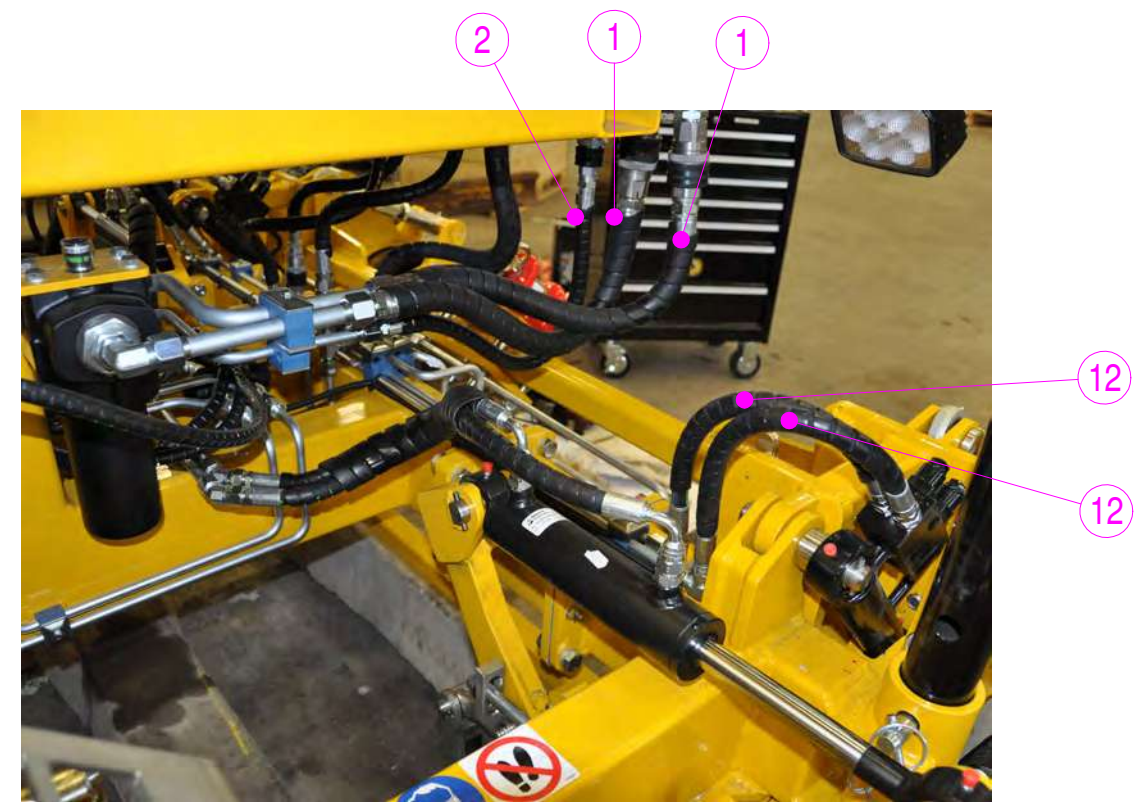
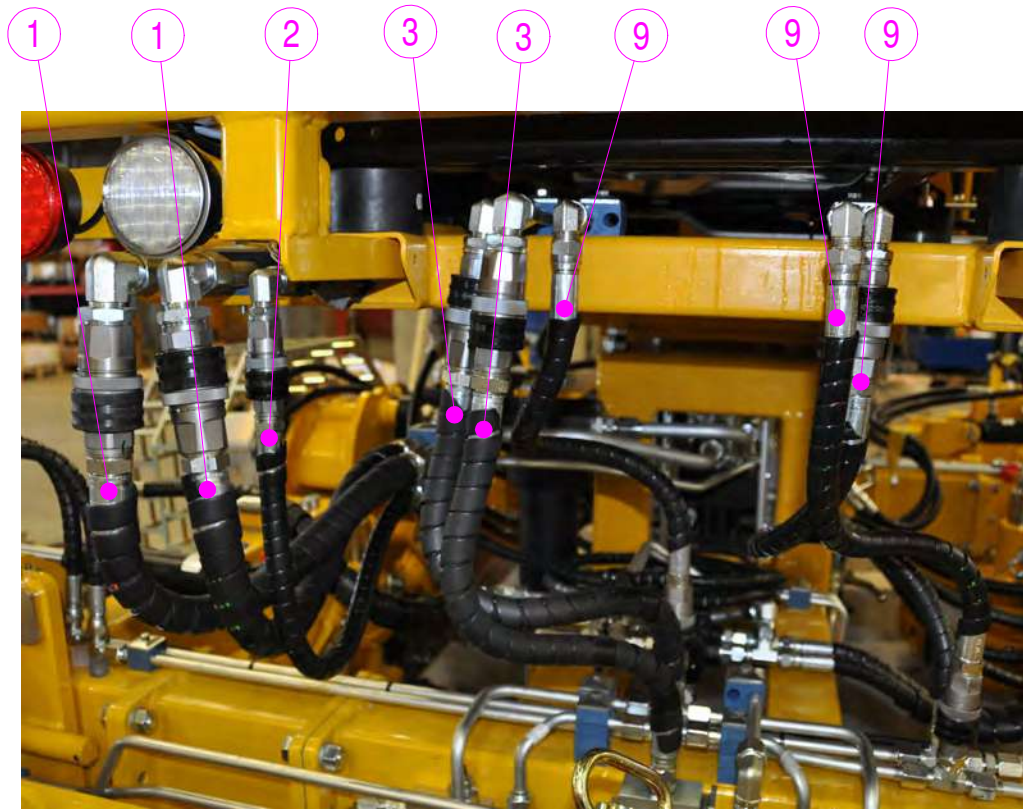
Spare part view



Item no: **5010557**  
Revision: **A**

Title: Slangsats CD400 ram

Spare part view



Item no: **5008350**

Title: Slangsats lyft och FC verktyg

Revision: **B**

Spare part view

**CD400 FastClip-Tool and Sleeper lift G=1000, 1067**

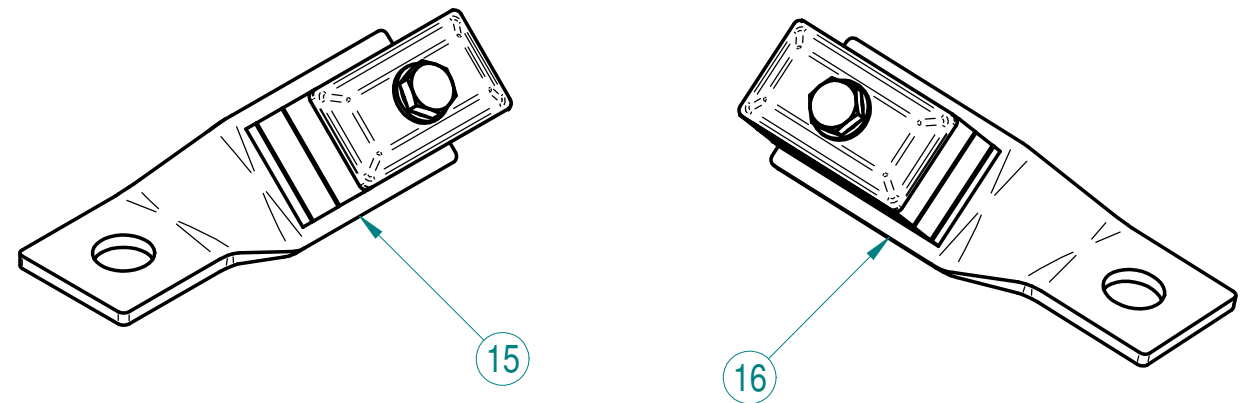
Pos	Pcs	Hose Kappaflex 2K CO	Total Length	Coupling 1	Coupling 2	Angle	Function	Coupling 1	Coupling 2	Part number
1	2	1105-10-06	0,71	4214-12-06	4216-12-06		Clipping	3/4" JIC male	3/4" JIC female 90°	5007159-B
2	2	1105-10-06	0,90	4214-12-06	4216-12-06		Clipping	3/4" JIC male	3/4" JIC female 90°	5010819-A
3	1	1105-10-06	0,55	4213-12-06	4216-12-06		Declipping	3/4" JIC female	3/4" JIC female 90°	5007165-A
4	1	1105-10-06	0,38	4213-12-06	4216-12-06		Declipping	3/4" JIC female	3/4" JIC female 90°	5010820-A
5	1	1105-10-06	0,28	4214-12-06	4216-12-06		Declipping	3/4" JIC male	3/4" JIC female 90°	5007166-B
6	1	1105-10-06	0,46	4214-12-06	4216-12-06		Declipping	3/4" JIC male	3/4" JIC female 90°	5007167-B
7	1	1105-10-06	0,57	4213-12-06	4216-12-06		Sleeper lift	3/4" JIC female	3/4" JIC female 90°	5007168-A
8	1	1105-10-06	0,65	4213-12-06	4216-12-06		Sleeper lift	3/4" JIC female	3/4" JIC female 90°	5007169-A
9	1	1105-10-06	0,90	4213-12-06	4280-08-06		Sleeper grab	3/4" JIC female	1/2" BSP Banjo for BS bolt	5007170-A
10	1	1105-10-06	1,10	4213-12-06	4280-08-06		Sleeper grab	3/4" JIC female	1/2" BSP Banjo for BS bolt	5007171-A

**Adapters**

Pos	Pcs	Type	Part number
11	2	Banjo screw	4280-01-08
12	2	Adjustable elbow 90°	7622-12-08
13	8	Adapter	7616-12-06
14	6	Adapter 45°	7661-12-12

**Hose fixation**

Pos	Pcs	Name	Part number
15	1	Bracket right	5010264
16	1	Bracket left	5010265

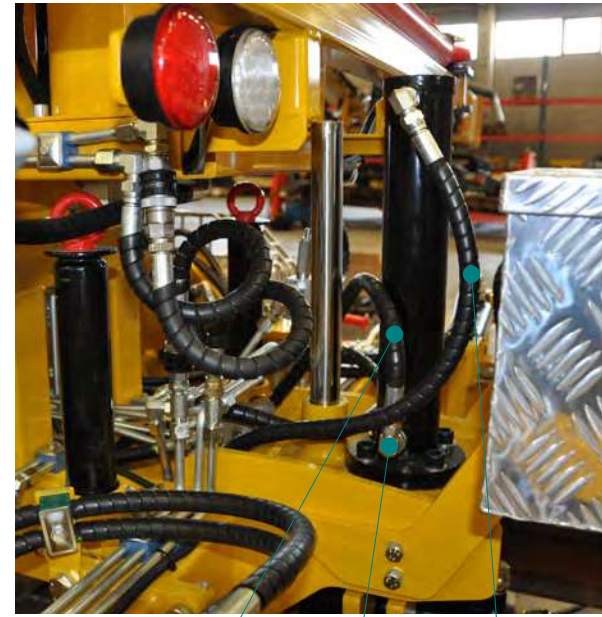
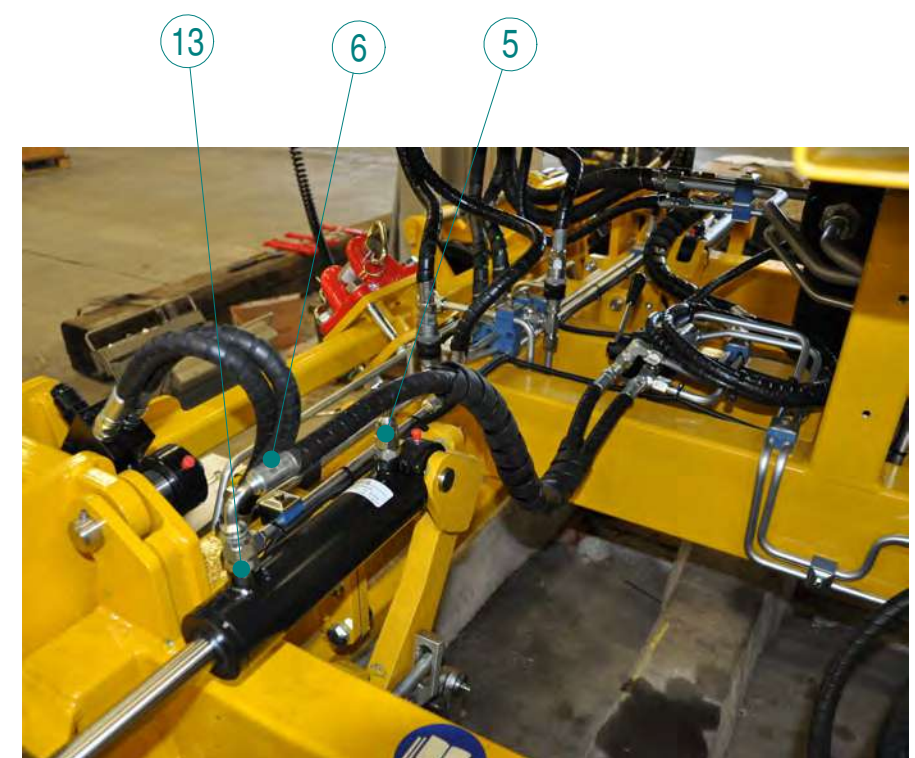
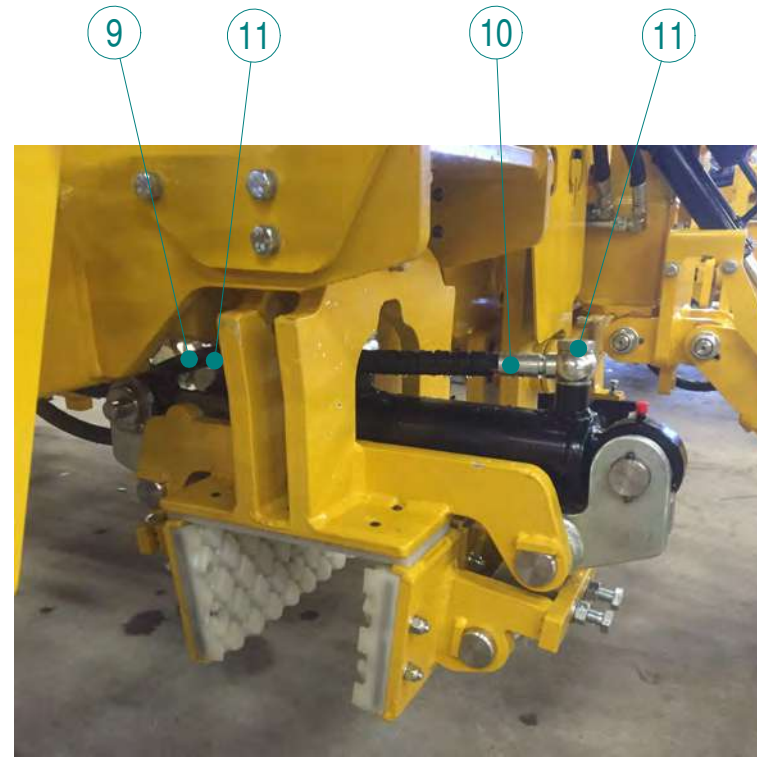
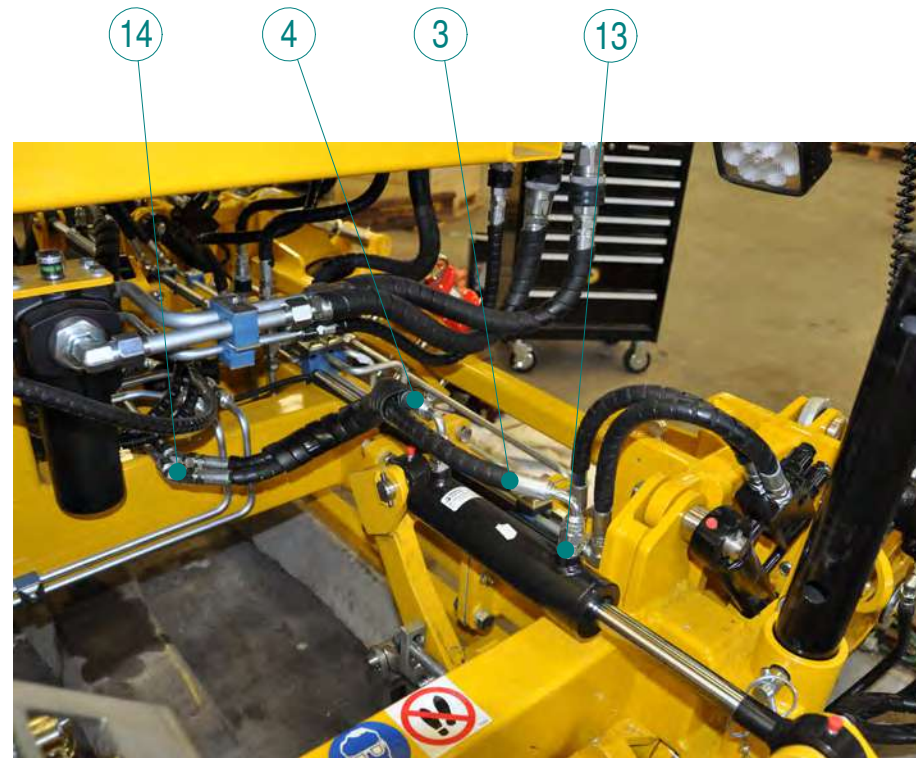




Item no: **5008350**  
Revision: **B**

Title: Slangsats lyft och FC verktyg

Spare part view



Item no: **5008620**  
 Revision: **C**

Title: Slangsats lyft och FC verktyg

Spare part view

**CD400 FastClip-Tool and Sleeper lift G=1435**

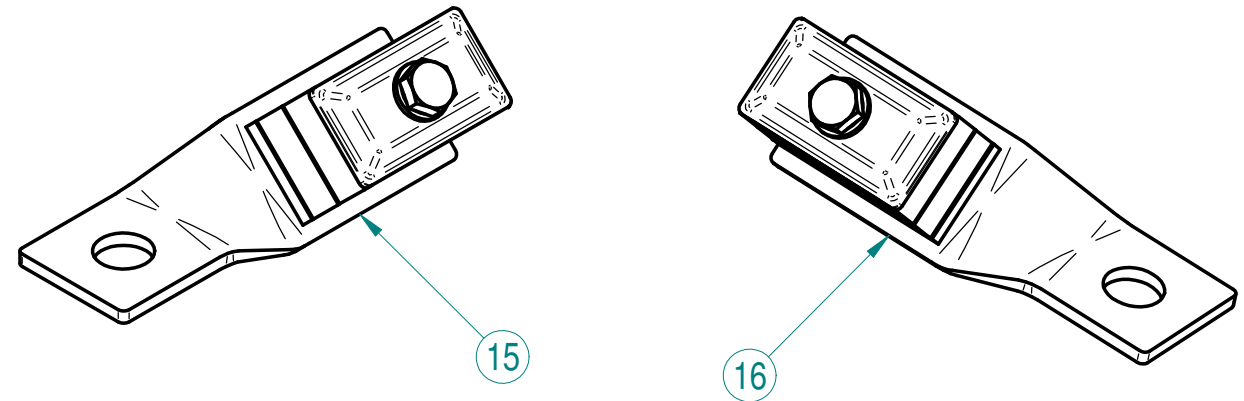
Pos	Pcs	Hose Kappaflex 2K CO	Total Length	Coupling 1	Coupling 2	Angle	Function	Coupling 1	Coupling 2	Part number
1	2	1105-10-06	0,93	4214-12-06	4216-12-06		Clipping	3/4" JIC male	3/4" JIC female 90°	5008621-B
2	2	1105-10-06	1,12	4214-12-06	4216-12-06		Clipping	3/4" JIC male	3/4" JIC female 90°	5010679-A
3	1	1105-10-06	0,77	4213-12-06	4216-12-06		Declipping	3/4" JIC female	3/4" JIC female 90°	5008622-A
4	1	1105-10-06	0,60	4213-12-06	4216-12-06		Declipping	3/4" JIC female	3/4" JIC female 90°	5010680-A
5	1	1105-10-06	0,50	4214-12-06	4216-12-06		Declipping	3/4" JIC male	3/4" JIC female 90°	5008623-B
6	1	1105-10-06	0,68	4214-12-06	4216-12-06		Declipping	3/4" JIC male	3/4" JIC female 90°	5008624-B
7	1	1105-10-06	0,57	4213-12-06	4216-12-06		Sleeper lift	3/4" JIC female	3/4" JIC female 90°	5007168-A
8	1	1105-10-06	0,65	4213-12-06	4216-12-06		Sleeper lift	3/4" JIC female	3/4" JIC female 90°	5007169-A
9	1	1105-10-06	0,90	4213-12-06	4280-08-06		Sleeper grab	3/4" JIC female	1/2" BSP Banjo for BS bolt	5007170-A
10	1	1105-10-06	1,10	4213-12-06	4280-08-06		Sleeper grab	3/4" JIC female	1/2" BSP Banjo for BS bolt	5007171-A

**Adapters**

Pos	Pcs	Type	Part number
11	2	Banjo screw	4280-01-08
12	2	Adjustable elbow 90°	7622-12-08
13	8	Adapter	7616-12-06
14	6	Adapter 45°	7661-12-12

**Hose fixation**

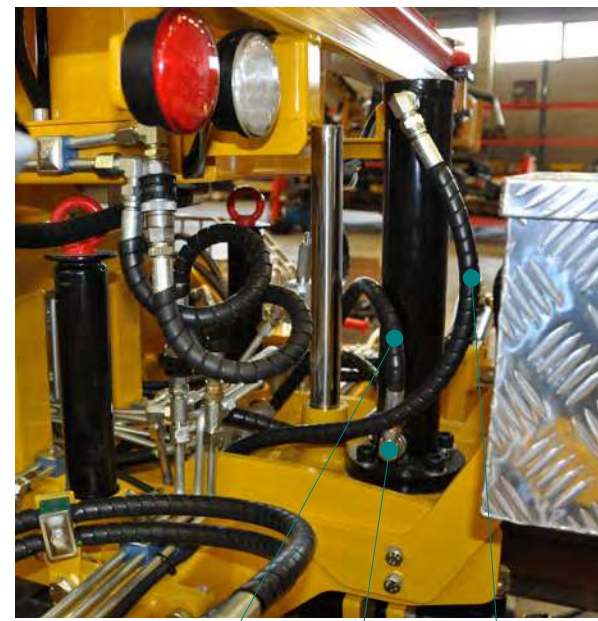
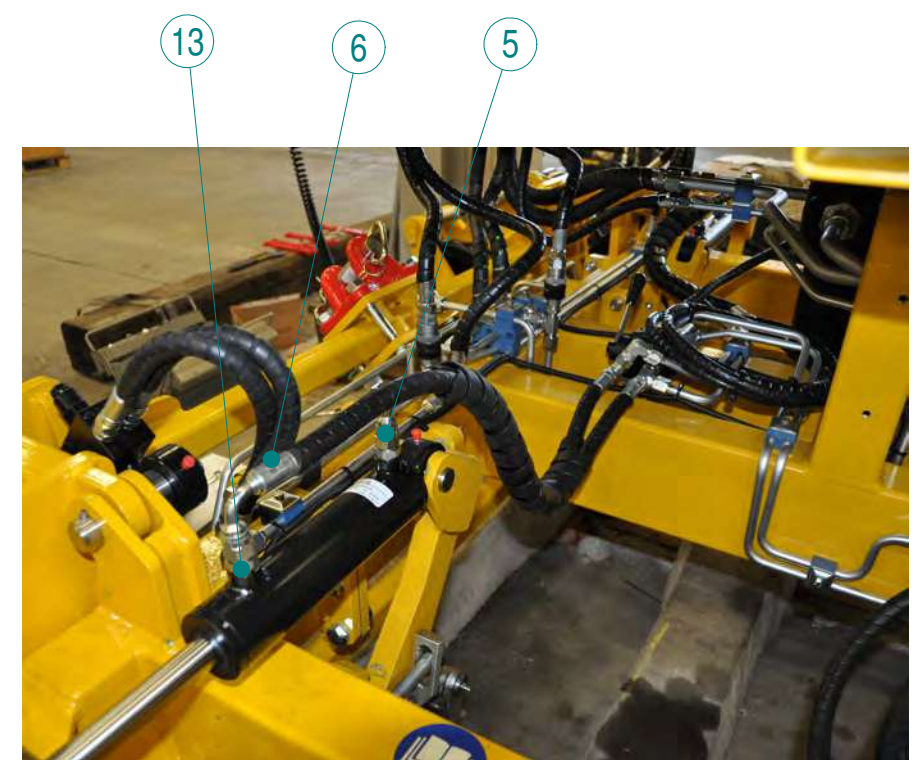
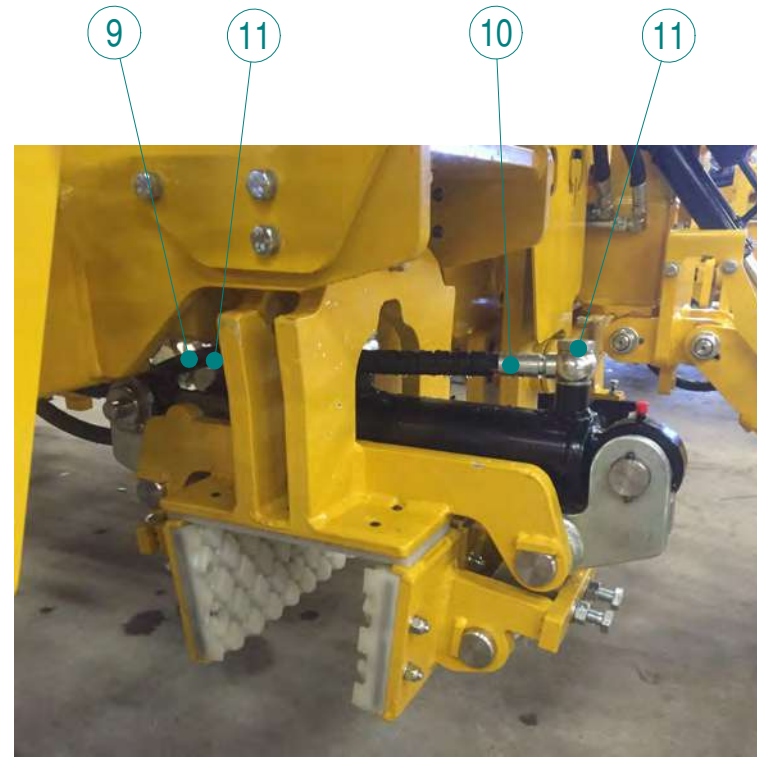
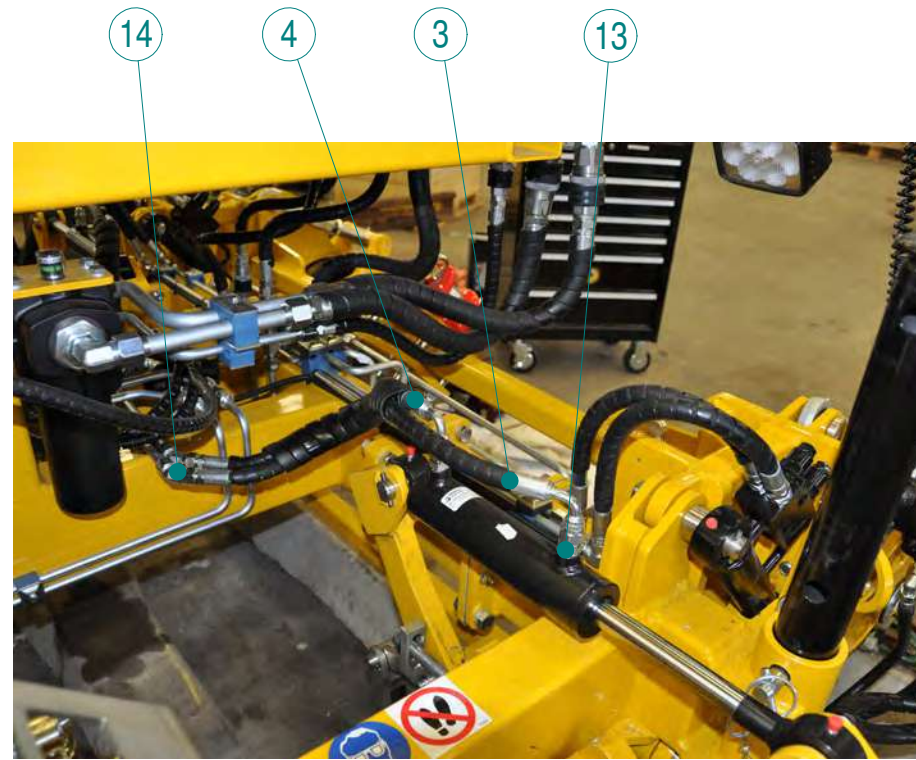
Pos	Pcs	Name	Part number
15	1	Bracket right	5010264
16	1	Bracket left	5010265



Item no: **5008620**  
Revision: **C**

Title: Slangsats lyft och FC verktyg

Spare part view



Item no: **5008670**

Title: Slangsats lyft och FC verktyg

Revision: **B**

Spare part view

**CD400 FastClip-Tool and Sleeper lift G=1520, 1600**

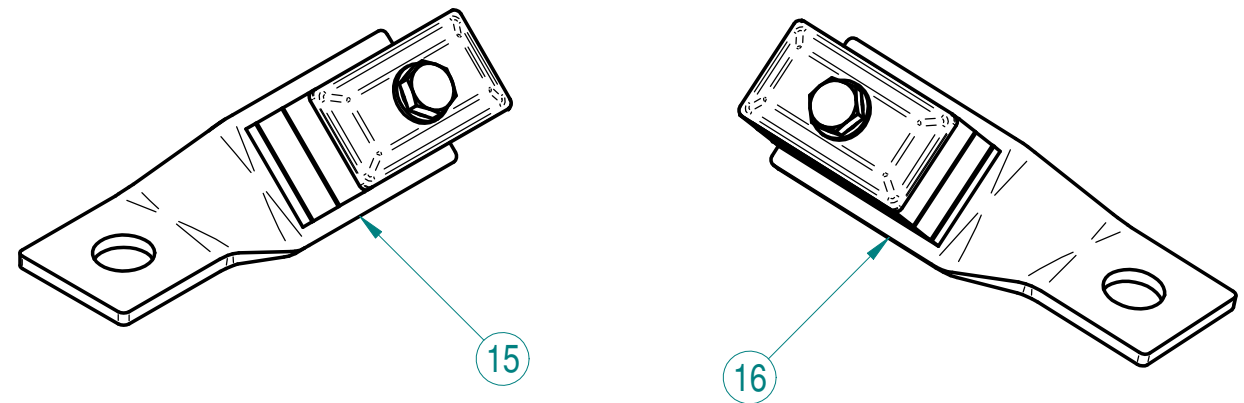
Pos	Pcs	Hose Kappaflex 2K CO	Total Length	Coupling 1	Coupling 2	Angle	Function	Coupling 1	Coupling 2	Part number
1	2	1105-10-06	1,01	4214-12-06	4216-12-06		Clipping	3/4" JIC male	3/4" JIC female 90°	5008630-B
2	2	1105-10-06	1,20	4214-12-06	4216-12-06		Clipping	3/4" JIC male	3/4" JIC female 90°	5010821-A
3	1	1105-10-06	0,85	4213-12-06	4216-12-06		Declipping	3/4" JIC female	3/4" JIC female 90°	5008631-A
4	1	1105-10-06	0,68	4213-12-06	4216-12-06		Declipping	3/4" JIC female	3/4" JIC female 90°	5010822-A
5	1	1105-10-06	0,58	4214-12-06	4216-12-06		Declipping	3/4" JIC male	3/4" JIC female 90°	5008632-B
6	1	1105-10-06	0,76	4214-12-06	4216-12-06		Declipping	3/4" JIC male	3/4" JIC female 90°	5008633-B
7	1	1105-10-06	0,57	4213-12-06	4216-12-06		Sleeper lift	3/4" JIC female	3/4" JIC female 90°	5007168-A
8	1	1105-10-06	0,65	4213-12-06	4216-12-06		Sleeper lift	3/4" JIC female	3/4" JIC female 90°	5007169-A
9	1	1105-10-06	0,90	4213-12-06	4280-08-06		Sleeper grab	3/4" JIC female	1/2" BSP Banjo for BS bolt	5007170-A
10	1	1105-10-06	1,10	4213-12-06	4280-08-06		Sleeper grab	3/4" JIC female	1/2" BSP Banjo for BS bolt	5007171-A

**Adapters**

Pos	Pcs	Type	Part number
11	2	Banjo screw	4280-01-08
12	2	Adjustable elbow 90°	7622-12-08
13	8	Adapter	7616-12-06
14	6	Adapter 45°	7661-12-12

**Hose fixation**

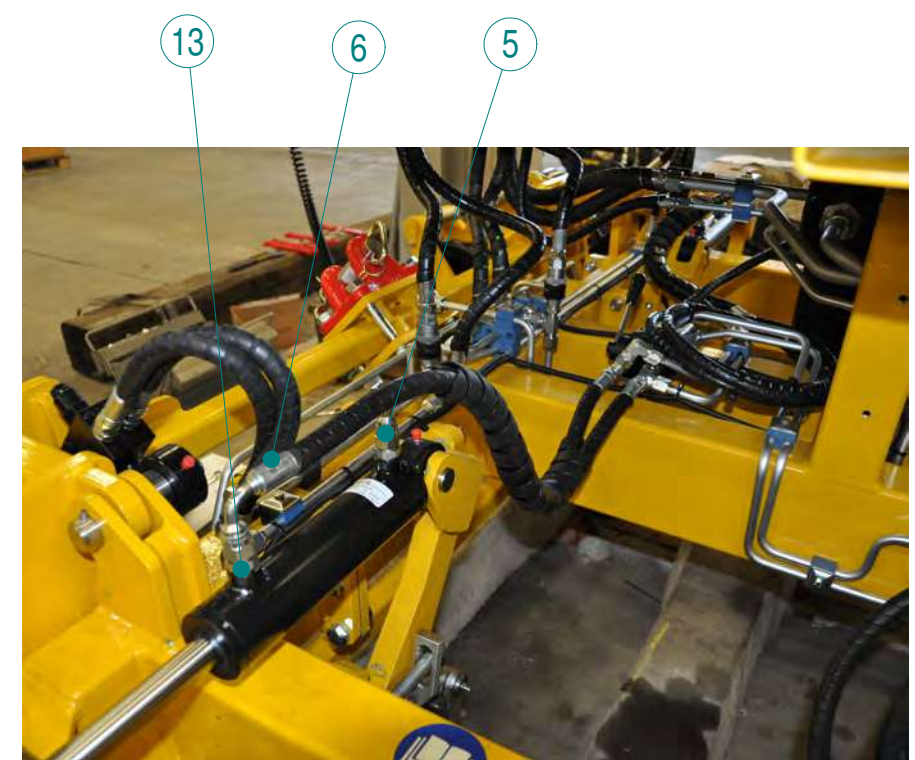
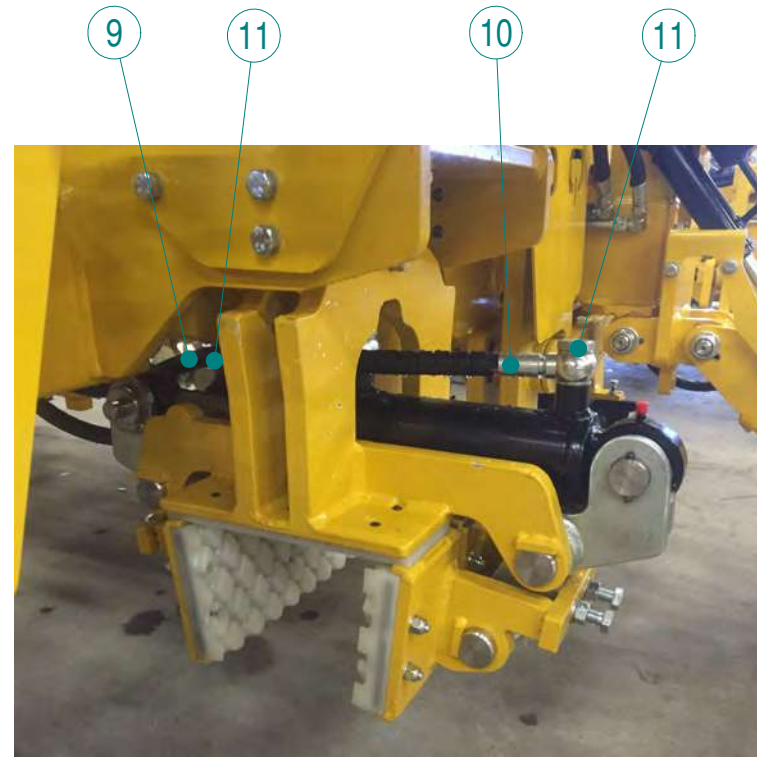
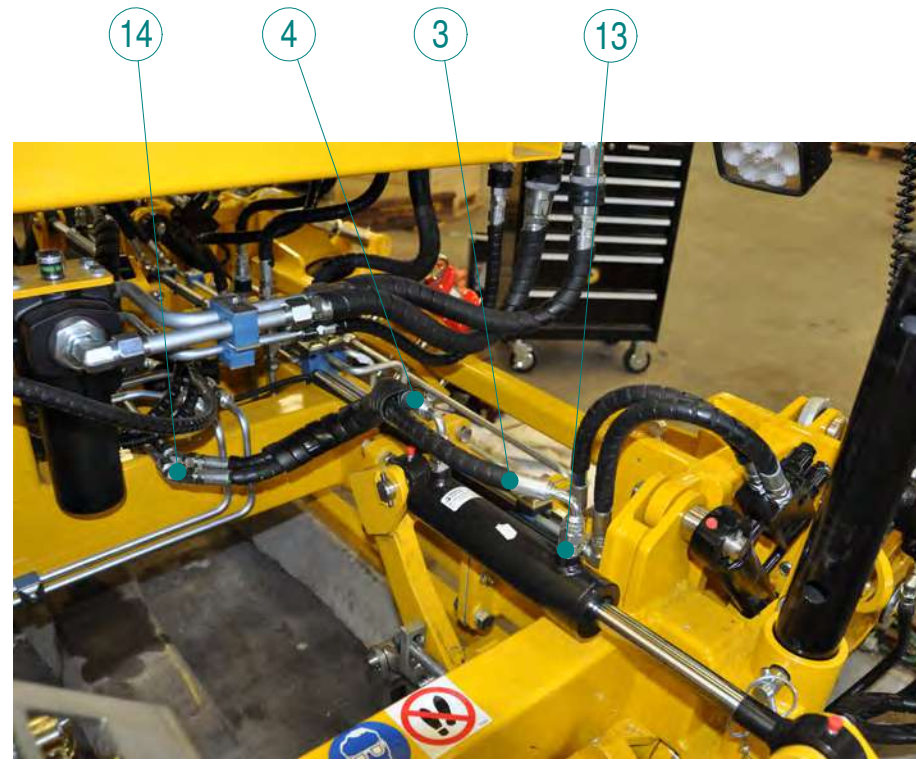
Pos	Pcs	Name	Part number
15	1	Bracket right	5010264
16	1	Bracket left	5010265



Item no: **5008670**  
Revision: **B**

Title: Slangsats lyft och FC verktyg

Spare part view



Item no: **5008370**

Title: Slangsats e-clips verktyg

Revision: **C**

## Spare part view

**CD400 E-clip Tool G=1000, 1067**

Pos	Pcs	Hose Kappaflex 2K CO	Total Length	Coupling 1	Coupling 2	Angle	Function	Coupling 1	Coupling 2	Part number
1	2	1105-10-06	1,00	4213-12-06	4216-12-06		E-clip	3/4" JIC female	3/4" JIC female 90°	5007160-A
2	2	1105-10-06	0,83	4213-12-06	4216-12-06		E-clip	3/4" JIC female	3/4" JIC female 90°	5007162-A
3	4	1105-10-06	0,56	4213-12-06	4216-12-06		E-clip / Leak	3/4" JIC female	3/4" JIC female 90°	5007163-A

**Adapters**

Pos	Pcs	Type	Part number
4	8	Adjustable elbow 90°	7622-12-08

Item no: **5008370**  
Revision: **C**

Title: Slangsats e-clips verktyg

Spare part view



- 3
- 1
- 3
- 2
- 3
- 4
- 3
- 4



- 2
- 4
- 1
- 4

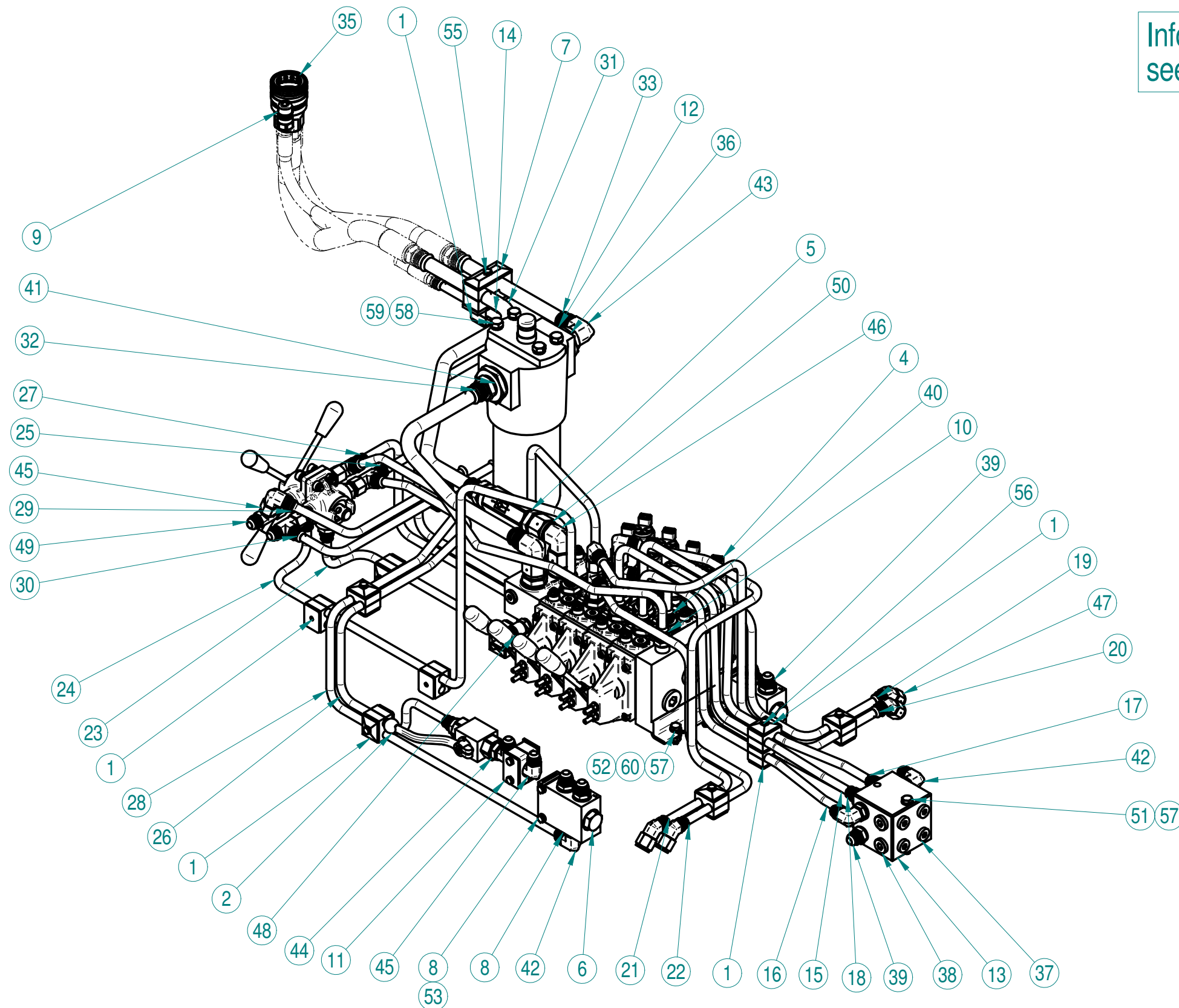


- 2
- 3
- 3
- 1
- 3
- 3
- 4
- 4
- 1
- 2

Item no: **5007800**  
Revision: **C**

Title: Rör & hydraulik CD400

Spare part view



Information about the hoses,  
see drawing 5010557

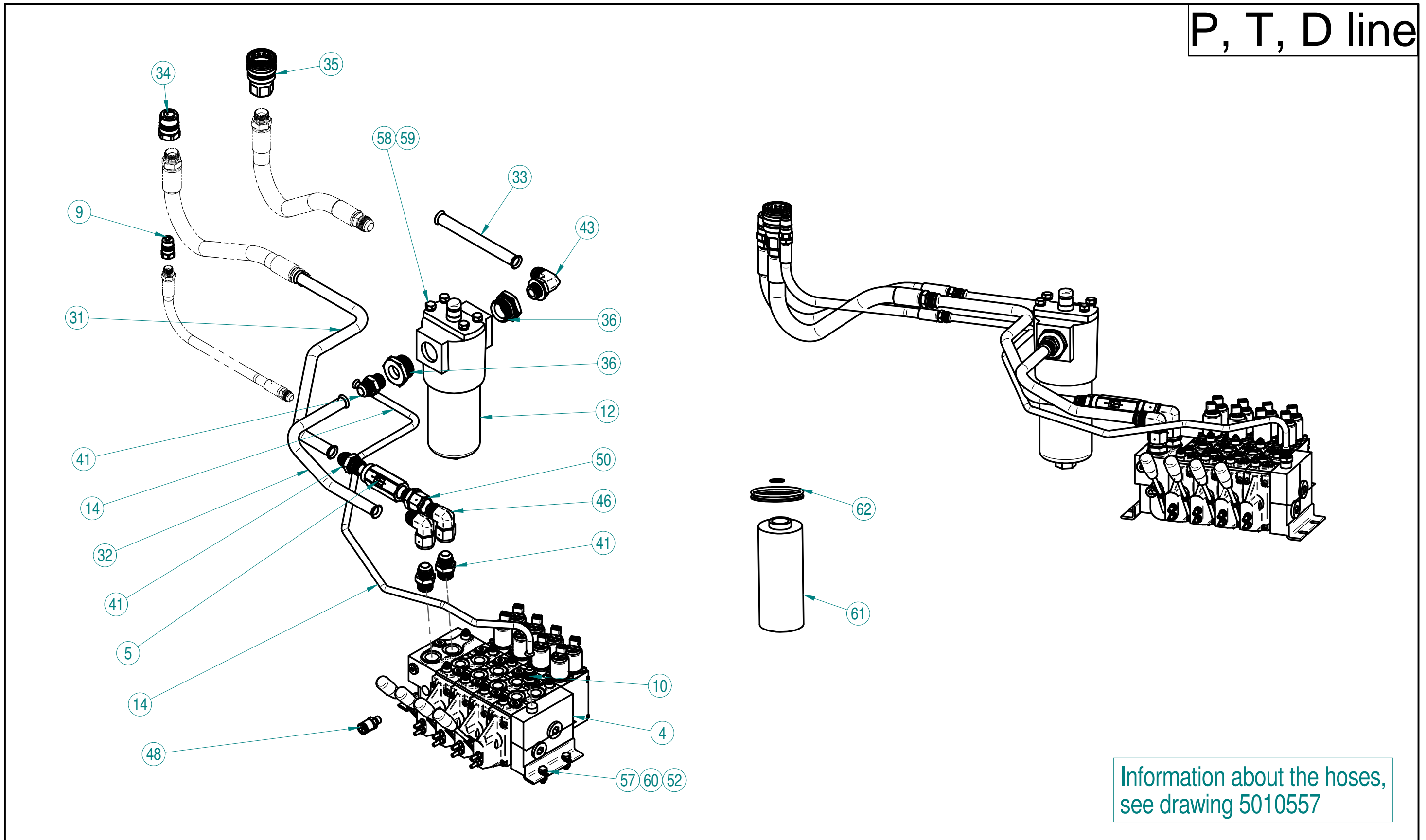


Item no: **5007800**  
Revision: **C**

Title: Rör & hydraulik CD400

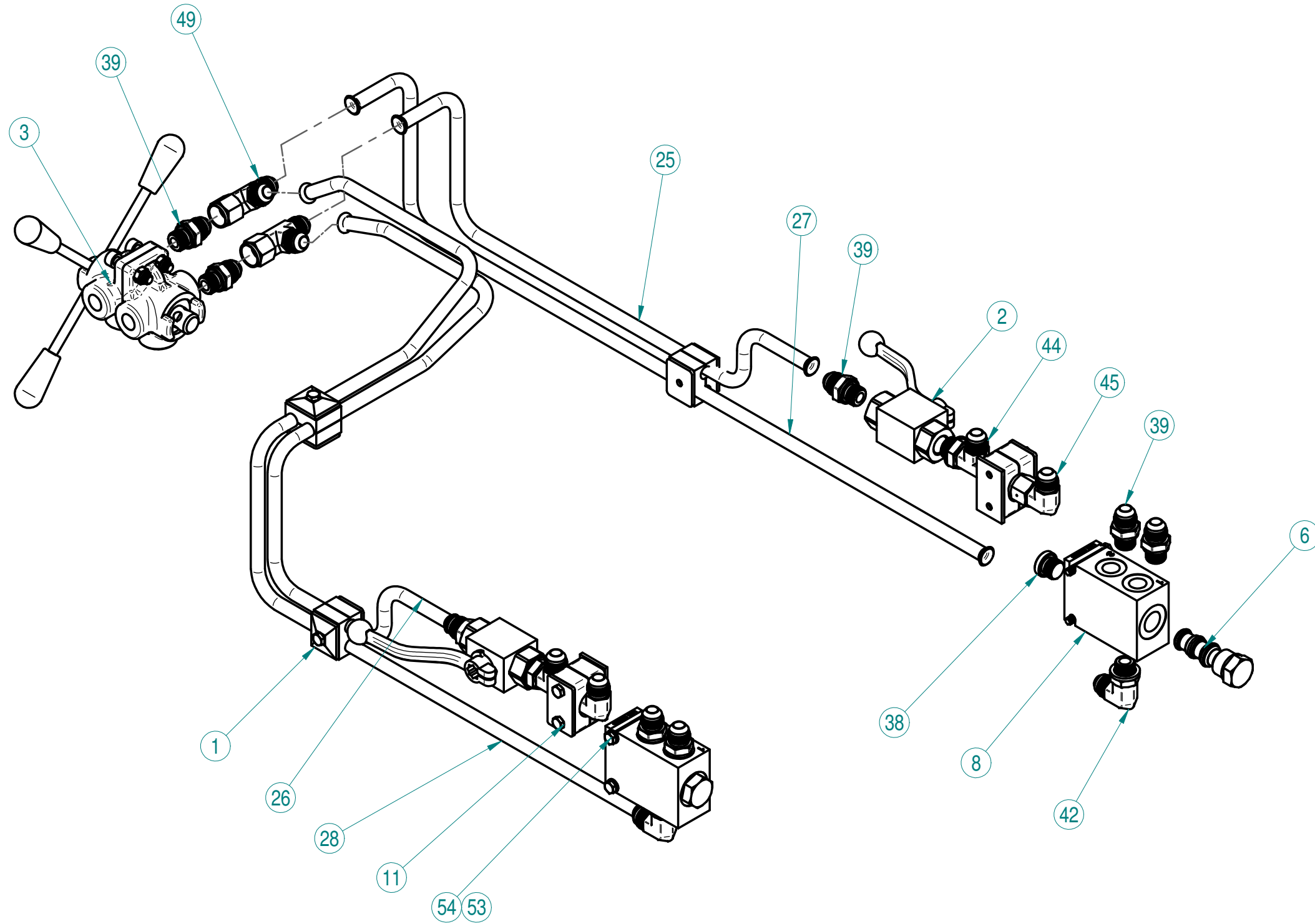
Spare part view

P, T, D line



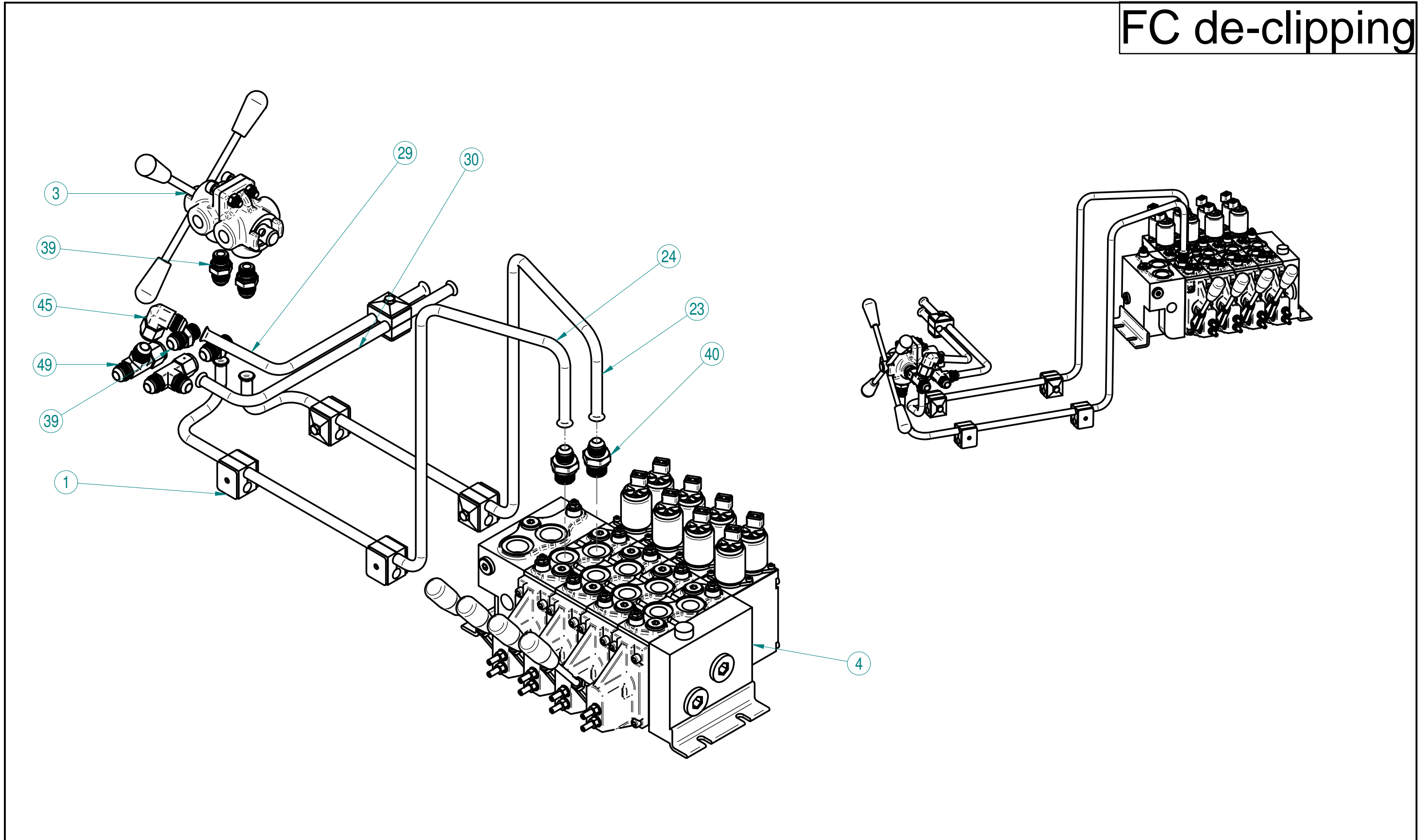
Spare part view

E-clip inst.



Spare part view

FC de-clipping

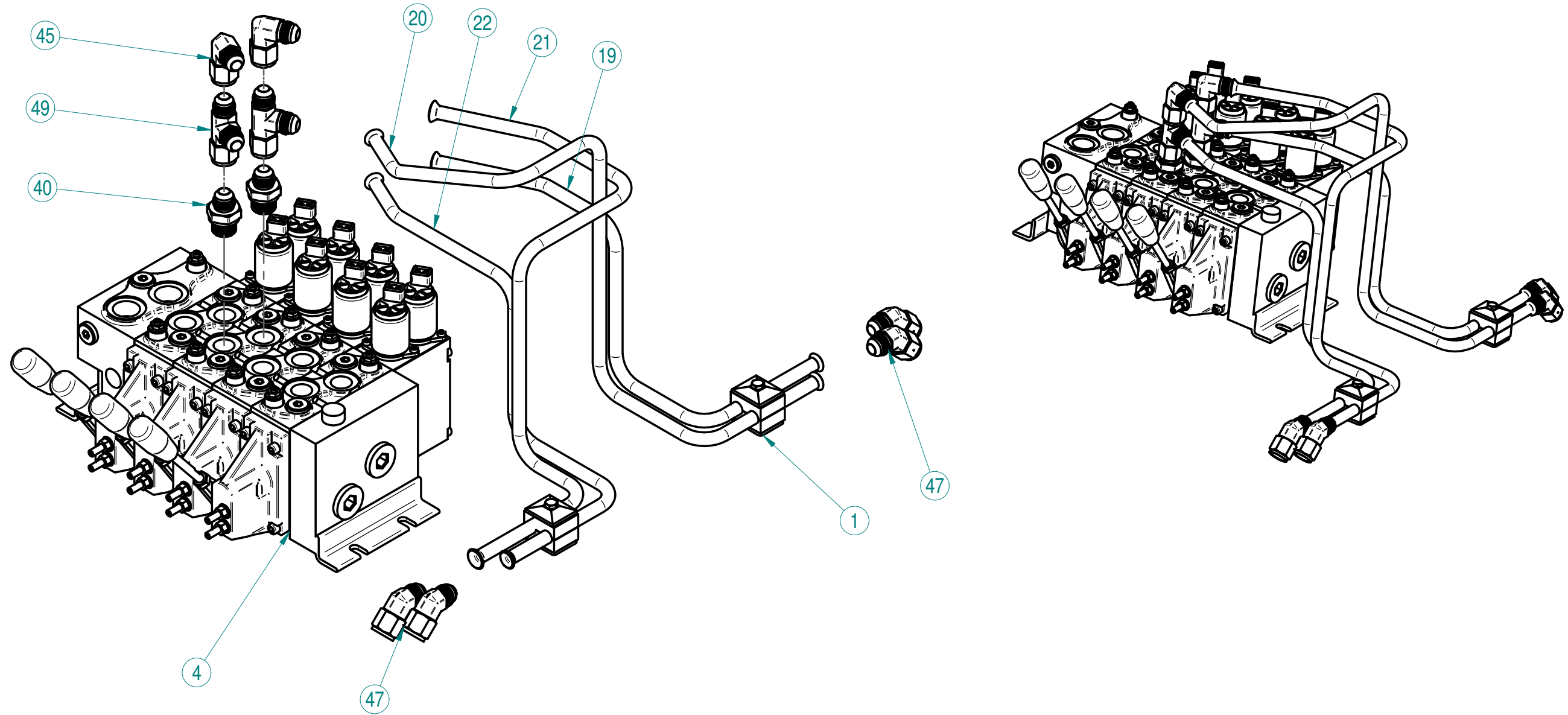


Item no: **5007800**  
Revision: **C**

Title: Rör & hydraulik CD400

Spare part view

FC clipping

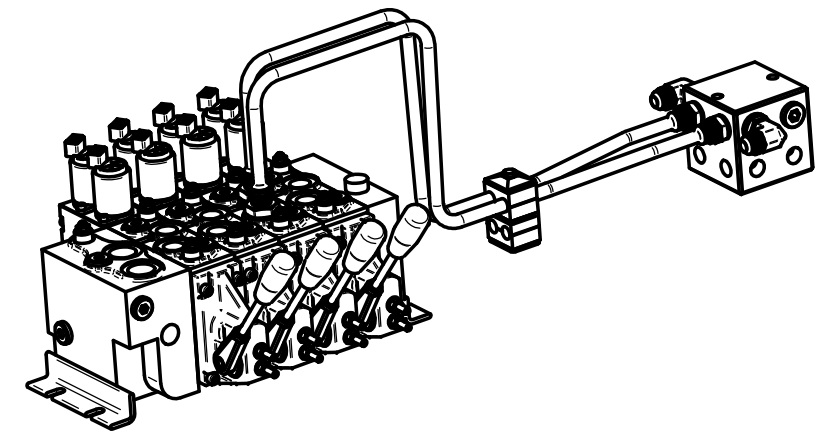
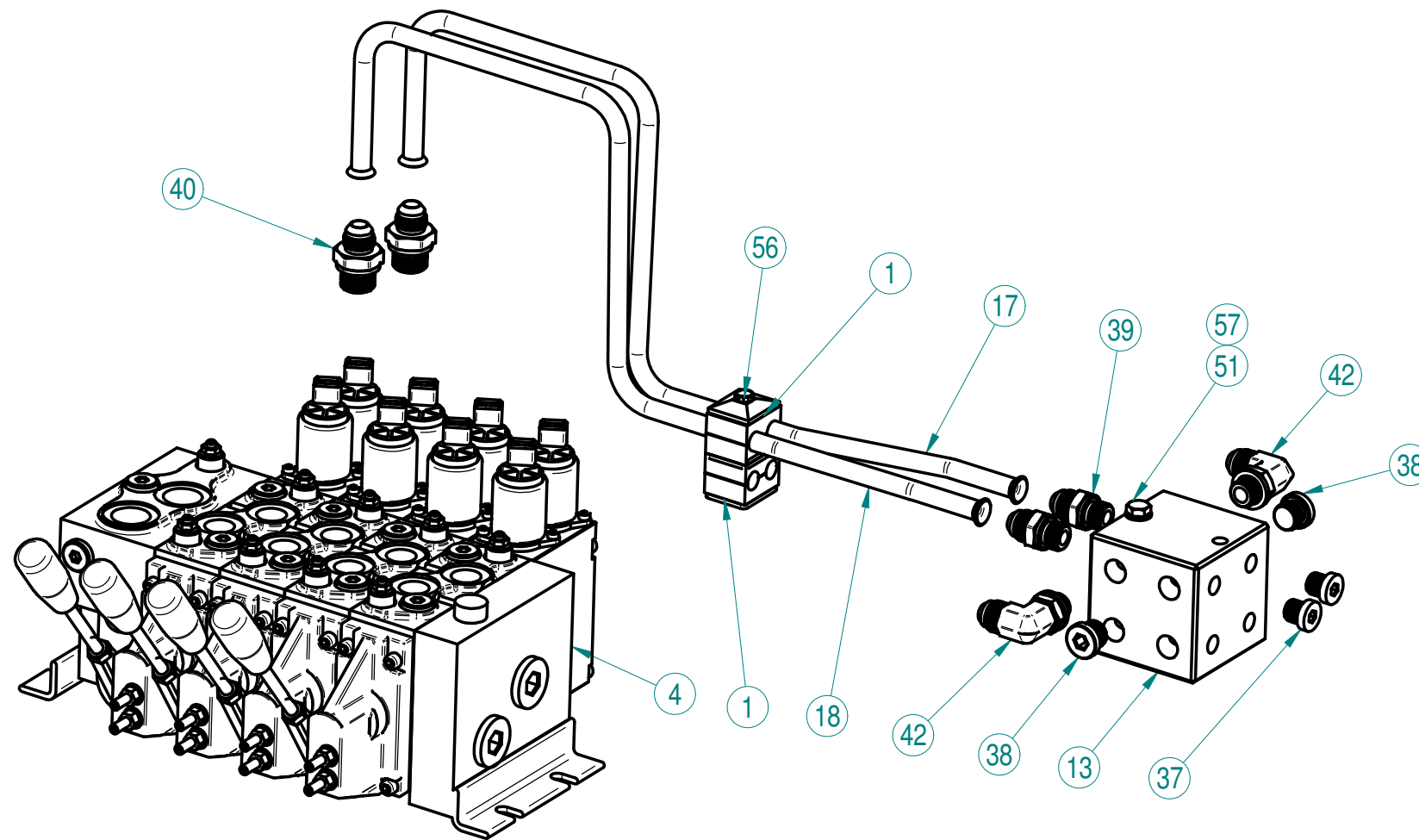


Item no: **5007800**  
Revision: **C**

Title: Rör & hydraulik CD400

Spare part view

# Sleeper grapple

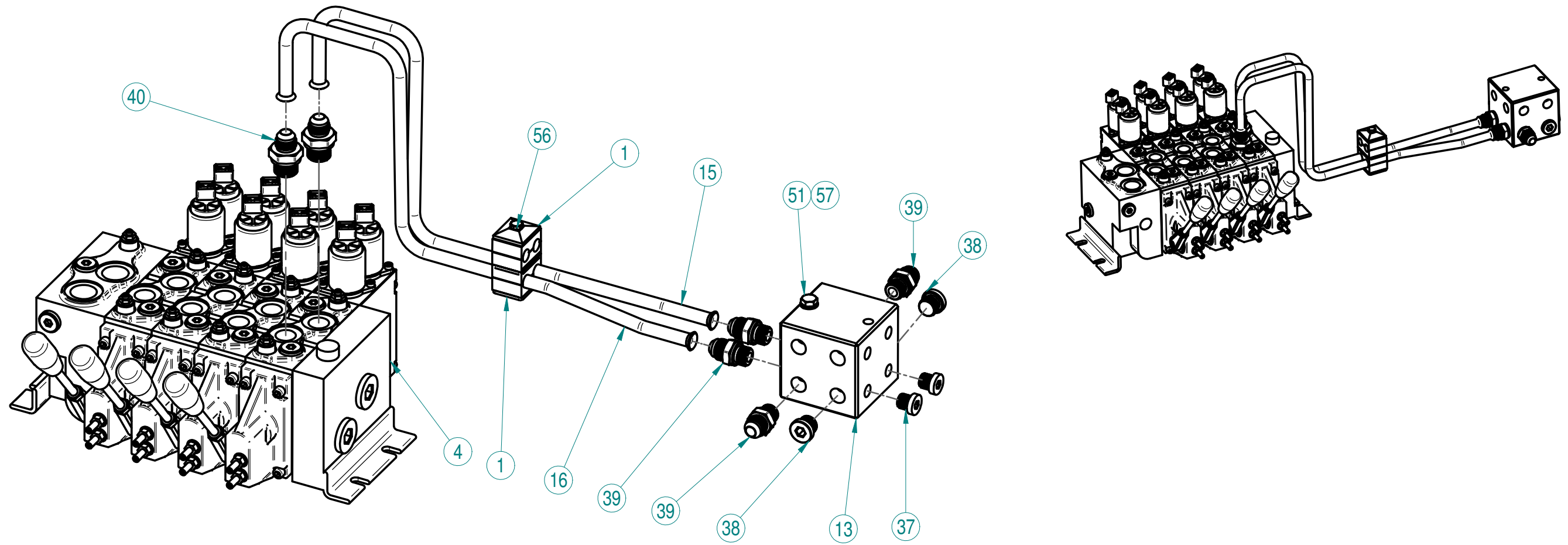


Item no: **5007800**  
Revision: **C**

Title: Rör & hydraulik CD400

Spare part view

Sleeper lift



Item no: **5007800**  
Revision: **C**

Title: **Rör & hydraulik CD400**  
Title: Hydraulic system and components

### Part list

Pos	Pcs	Title	Description	Item no:
1	13	Clamp body		5343-01-12
2	2	2-way ball valve G IF 3/8		220046
3	1	3-Way ball valve 6/3 G3/8		220053
4	1	Valve HPV41 4-sections		220086
5	1	Check valve		220087
6	2	Flow divider		220146
7	1	Clamp body		5343-03-20
8	2	Valve housing		230041
9	1	Quick release fitting G3/8" Male		251303
10	1	Adapter		252434
11	2	Clamp body		5303-04-25
12	1	Filter df 240 G		295009
13	1	Manifold		5000579
14	1	HPV (D) / Connection		5004838
15	1	Sleeper lift (B) / Connection		5006902
16	1	Sleeper lift (A) / Connection		5006903
17	1	Sleeper grapple (B) / Connection		5006904
18	1	Sleeper grapple (A) / Connection		5006905
19	1	Clipping HPV (B) / Cylinder -side		5006906
20	1	Clipping HPV (A) / Cylinder +side		5006907
21	1	Clipping HPV (B) / Cylinder -side		5006908
22	1	Clipping HPV (A) / Cylinder +side		5006909
23	1	De-clipping HPV(B) / 3way ball valve		5006910
24	1	De-clipping HPV(A) / 3way ball valve		5006911
25	1	3way ball valve / E-clip ball valve		5006912
26	1	3way ball valve / E-clip ball valve		5006913
27	1	3way ball valve / Flow divider		5006914
28	1	3way ball valve / Flow divider		5006915
29	1	3wayball valve / De-clipping cyl. -side		5006916
30	1	3way ballvalve / De-clipping cyl.+side		5006917
31	1	HPV (T) / Connection		5006918
32	1	HPV (P) / Filter		5006919
33	1	Filter / Connection		5006920
34	1	Quick release fitting 3/4" Male		5552-22-12
35	1	Quick release fitting 3/4" Female		5552-23-12
36	2	Adapter		7017-20-12
37	4	Plug		7503-00-04
38	6	Plug		7503-00-06

Item no: **5007800**  
 Revision: **C**

Title: **Rör & hydraulik CD400**  
 Title: Hydraulic system and components

### Part list

Pos	Pcs	Title	Description	Item no:
39	18	Adapter		7616-12-06
40	8	Adapter		7616-12-08
41	4	Adapter		7616-17-12
42	4	Adjustable elbow fitting		7622-12-06
43	1	Adjustable elbow fitting		7622-17-12
44	2	L-fitting		7644-12-06
45	5	Elbow fitting		7660-12-12
46	2	Elbow fitting		7660-17-17
47	4	Conector swivel nut 45 deg		7661-12-12
48	1	Test nipple M16x2 G1/4"		8301-00-04
49	6	L-fitting swivel nut		7663-12-12
50	1	Adapter		7666-17-12
51	1	Screw		103052
52	4	Screw		102057
53	4	Washer		137003
54	4	Screw		103027
55	1	Screw		103034
56	1	Screw		101020
57	9	Washer		137005
58	4	Screw		102077
59	1	Washer		142007
60	1	Nut		130004
61	1	Filter element		295006
62	1	Sealing kit		291548



Item no: **5008650**

Title: Slangsats e-clips verktyg

Revision: **C**

## Spare part view

**CD400 E-clip Tool G=1435**

Pos	Pcs	Hose Kappaflex 2K CO	Total Length	Coupling 1	Coupling 2	Angle	Function	Coupling 1	Coupling 2	Part number
1	2	1105-10-06	1,22	4213-12-06	4216-12-06		E-clip	3/4" JIC female	3/4" JIC female 90°	5008625-A
2	2	1105-10-06	1,05	4213-12-06	4216-12-06		E-clip	3/4" JIC female	3/4" JIC female 90°	5008627-A
3	4	1105-10-06	0,78	4213-12-06	4216-12-06		E-clip / Leak	3/4" JIC female	3/4" JIC female 90°	5008628-A

**Adapters**

Pos	Pcs	Type	Part number
4	8	Adjustable elbow 90°	7622-12-08

Item no: **5008650**  
Revision: **C**

Title: Slangsats e-clips verktyg

Spare part view



- 3
- 1
- 3
- 2
- 3
- 4
- 3
- 4



- 2
- 4
- 1
- 4

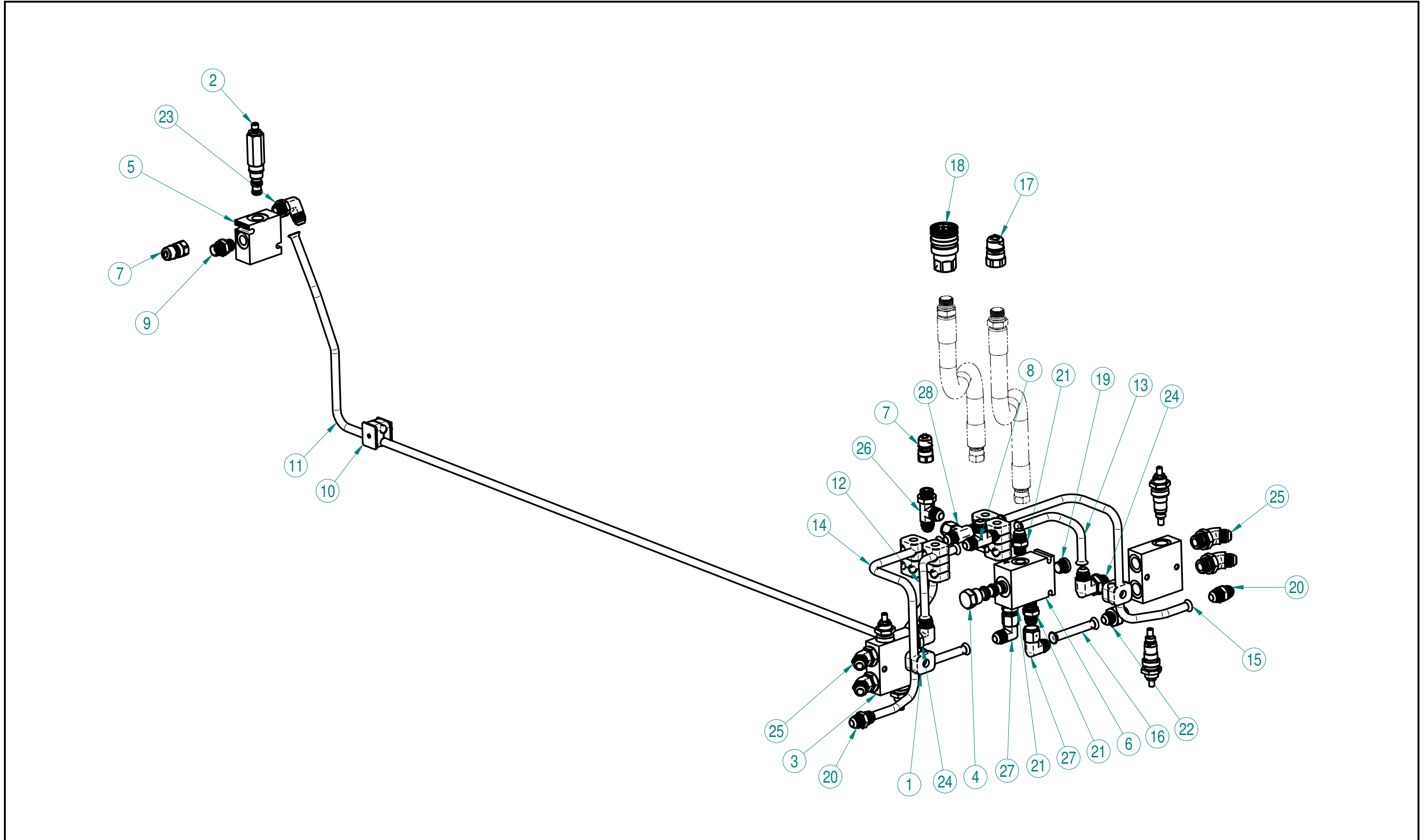


- 2
- 3
- 3
- 1
- 3
- 3
- 4
- 4
- 4
- 4
- 1
- 2

Item no: **5007760**  
Revision: **B**

Title: Grundsats rör self prop

Spare part view



Item no: **5007760**  
 Revision: **B**

Title: **Grundsats rör self prop**  
 Title: Hydraulic system and components

### Part list

Pos	Pcs	Title	Description	Item no:
1	10	Clamp body		21-112-12
2	1	Pressure reducer		220016
3	2	Cross-over valve		220128
4	1	Flow divider		220129
5	1	Valve housing		230003
6	1	Valve housing		230041
7	1	Adapter		7002-06-06
8	1	Clamp body		5343-01-12
9	1	Drain brakes / Connection		5006921
10	1	Cross-over / Connection		5007761
11	1	Cross-over / Connection		5007762
12	1	Drain w heel motor / Connection		5007763
13	1	Drain w heel motor / Connection		5007764
14	2	Flow divider / Cross-over		5007765
15	2	Quick release fitting 3/8 Male		5552-22-06
16	1	Quick release fitting 1/2" Male		5552-22-08
17	1	Quick release fitting 1/2" Female		5552-23-08
18	1	Plug		7503-00-06
19	2	Adapter		7601-12-12
20	1	T-joint fitting		7603-12-12
21	3	Adapter		7616-12-06
22	2	Adapter		7616-12-08
23	1	Adjustable elbow fitting		7622-12-06
24	2	Adjustable elbow fitting		7622-12-08
25	4	Adjustable 45 fitting		7632-12-08
26	1	L-fitting		7644-12-06
27	2	Elbow fitting		7660-12-12
28	1	T-joint fitting		7662-12-12

Item no: **5008700**

Title: Slangsats e-clips verktyg

Revision: **C**

## Spare part view

**CD400 E-clip Tool G=1520, 1600**

Pos	Pcs	Hose Kappaflex 2K CO	Total Length	Coupling 1	Coupling 2	Angle	Function	Coupling 1	Coupling 2	Part number
1	2	1105-10-06	1,30	4213-12-06	4216-12-06		E-clip	3/4" JIC female	3/4" JIC female 90°	5008634-A
2	2	1105-10-06	1,13	4213-12-06	4216-12-06		E-clip	3/4" JIC female	3/4" JIC female 90°	5008636-A
3	4	1105-10-06	0,86	4213-12-06	4216-12-06		E-clip / Leak	3/4" JIC female	3/4" JIC female 90°	5008637-A

**Adapters**

Pos	Pcs	Type	Part number
4	8	Adjustable elbow 90°	7622-12-08

Item no: **5008700**  
Revision: **C**

Title: Slangsats e-clips verktyg

Spare part view



- 3
- 1
- 3
- 2
- 3
- 4
- 3
- 4



- 2
- 4
- 1
- 4



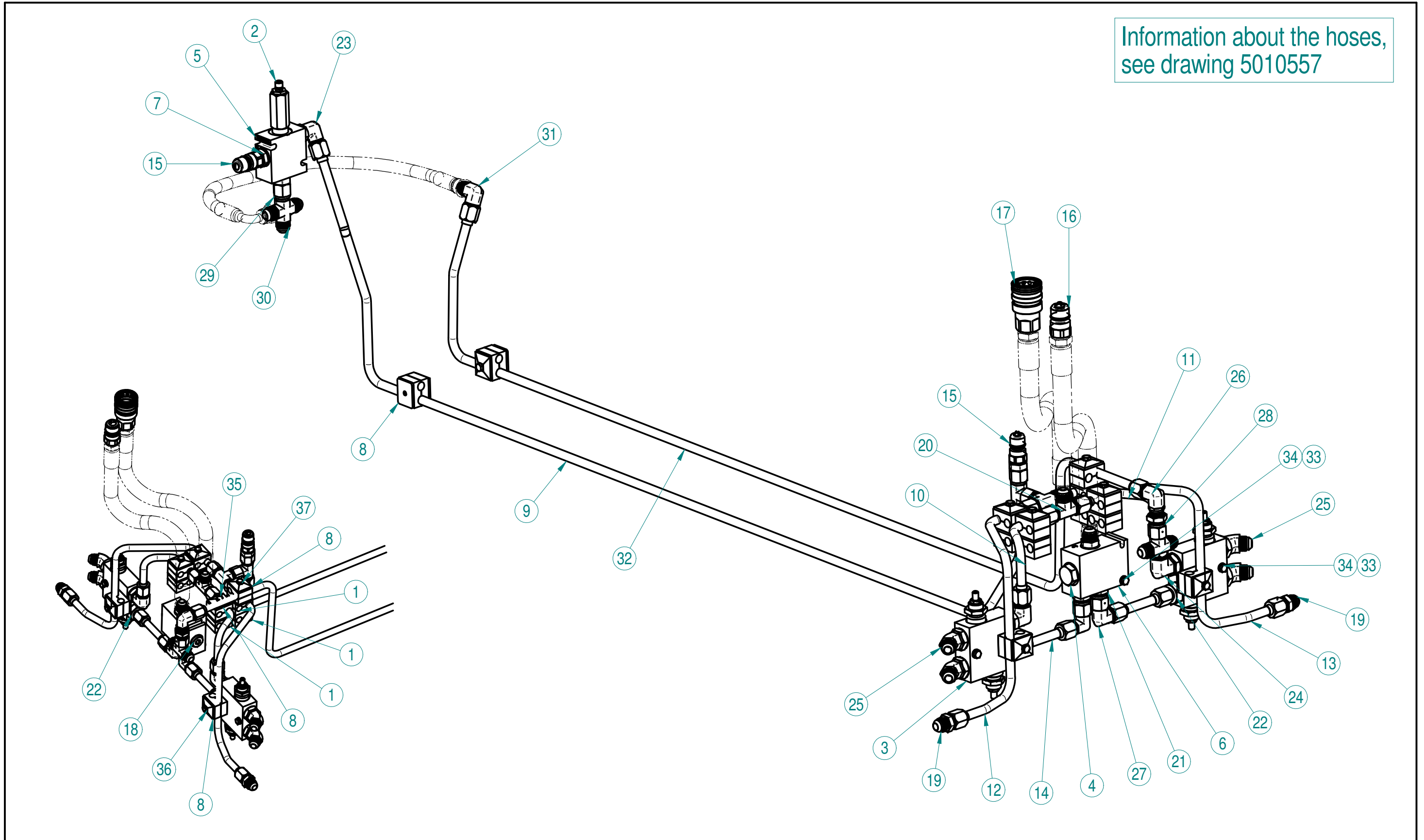
- 2
- 3
- 3
- 1
- 3
- 3
- 4
- 4
- 1
- 2

Item no: **5010568**  
Revision: **A**

Title: Grundsats rör SP Speedy

Spare part view

Information about the hoses,  
see drawing 5010557



Item no: **5010568**  
 Revision: **A**

Title: **Grundsats rör SP Speedy**  
 Title: Hydraulic system and components

### Part list

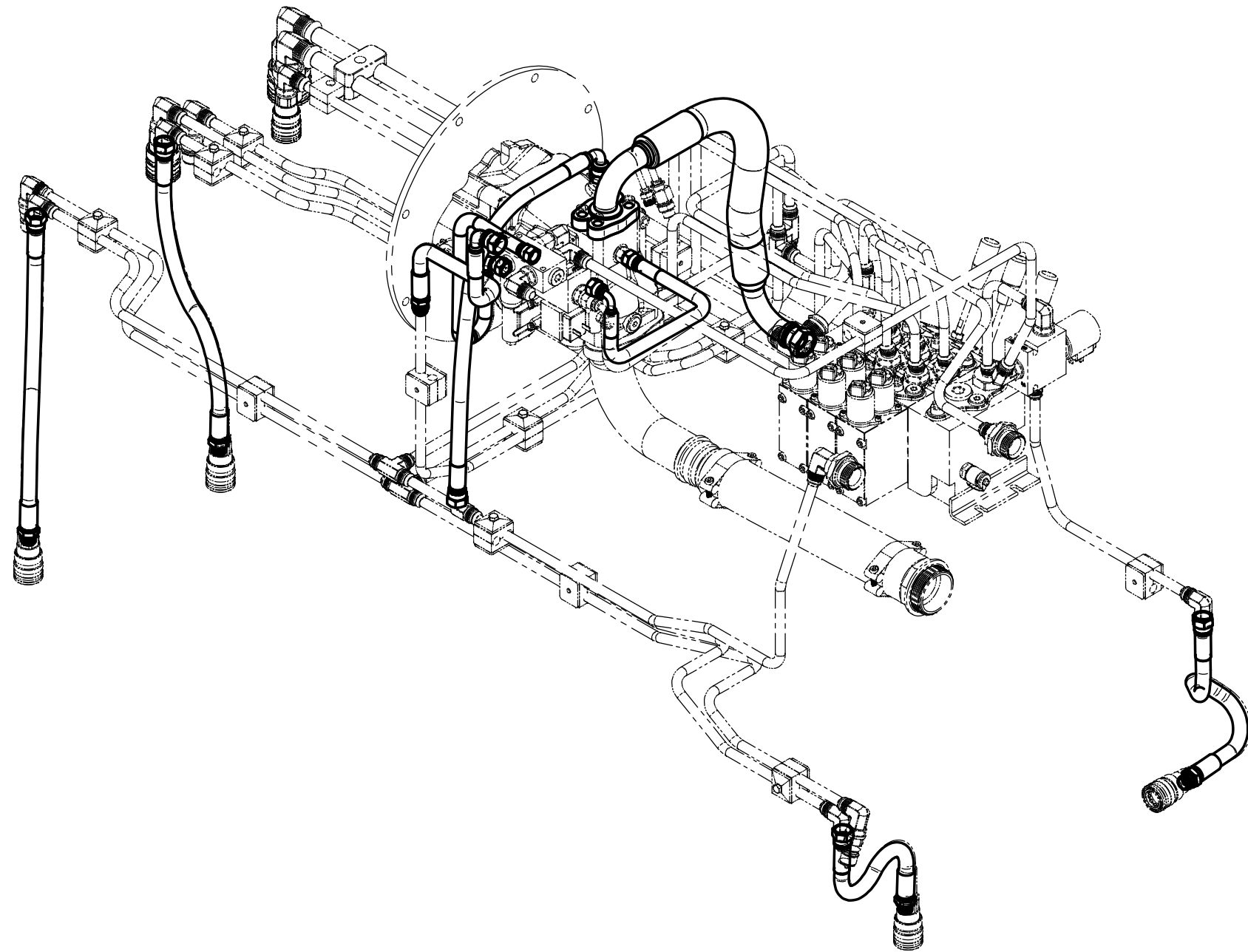
Pos	Pcs	Title	Description	Item no:
1	5	Clamp body		5390-41-12
2	1	Pressure reducer		220016
3	2	Cross-over valve		220128
4	1	Flow divider		220129
5	1	Valve housing		230003
6	1	Valve housing		230041
7	1	Adapter		7002-06-06
8	8	Clamp body		5343-01-12
9	1	Drain brakes / Connection		5006921
10	1	Cross-over / Connection		5007761
11	1	Cross-over / Connection		5007762
12	1	Drain w heel motor / Connection		5007763
13	1	Drain w heel motor / Connection		5007764
14	2	Flow divider / Cross-over		5007765
15	2	Quick release fitting 3/8 Male		5552-22-06
16	1	Quick release fitting 1/2" Male		5552-22-08
17	1	Quick release fitting 1/2" Female		5552-23-08
18	1	Plug		7503-00-06
19	2	Adapter		7601-12-12
20	2	T-joint fitting		7603-12-12
21	3	Adapter		7616-12-06
22	2	Adapter		7616-12-08
23	1	Adjustable elbow fitting		7622-12-06
24	2	Adjustable elbow fitting		7622-12-08
25	4	Adjustable 45 fitting		7632-12-08
26	1	Bulk head		7644-12-06
27	2	Elbow fitting		7660-12-12
28	2	T-joint fitting		7662-12-12
29	2	Adapter		7666-12-06
30	1	Cross coupling		7604-12-12
31	1	Adapter		7602-12-12
32	1	Brake frame		5010250
33	3	Washer		137003
34	3	Screw		103027
35	3	Screw		103030
36	2	Screw		103033
37	1	Screw		103035



Item no: **5008141**  
Revision: **D**

Title: Hydraulic hoses power unit

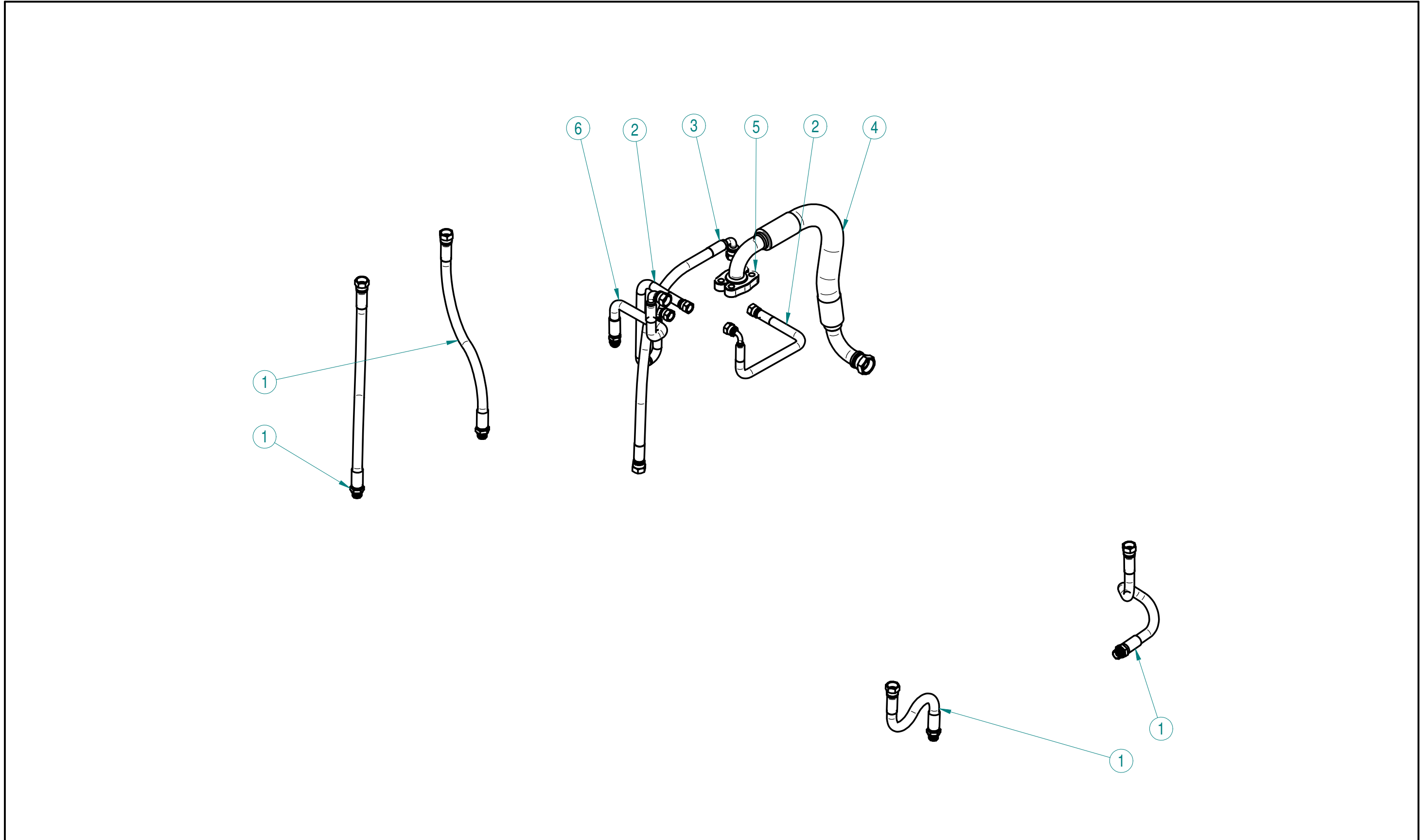
Spare part view



Item no: **5008141**  
Revision: **D**

Title: Hydraulic hoses power unit

Spare part view



Item no: **5008141**  
Revision: **D**

Title: **Hydraulic hoses power unit**  
Title: Hose kit

### Part list

Pos	Pcs	Title	Description	Item no:
1	4	Wheel tilt / Brake		5007155
2	2	Pump-LS		5008178
3	1	Leak		5007163
4	1	Pump-P		5008177
5	2	Semiflange		5540-01-16
6	1	Tank		5010007

Item no: **5010558**  
Revision: **A**

Title: Hydraulsats CD400 SP Speedy

Spare part view

Information about the hoses,  
see drawing 5010557

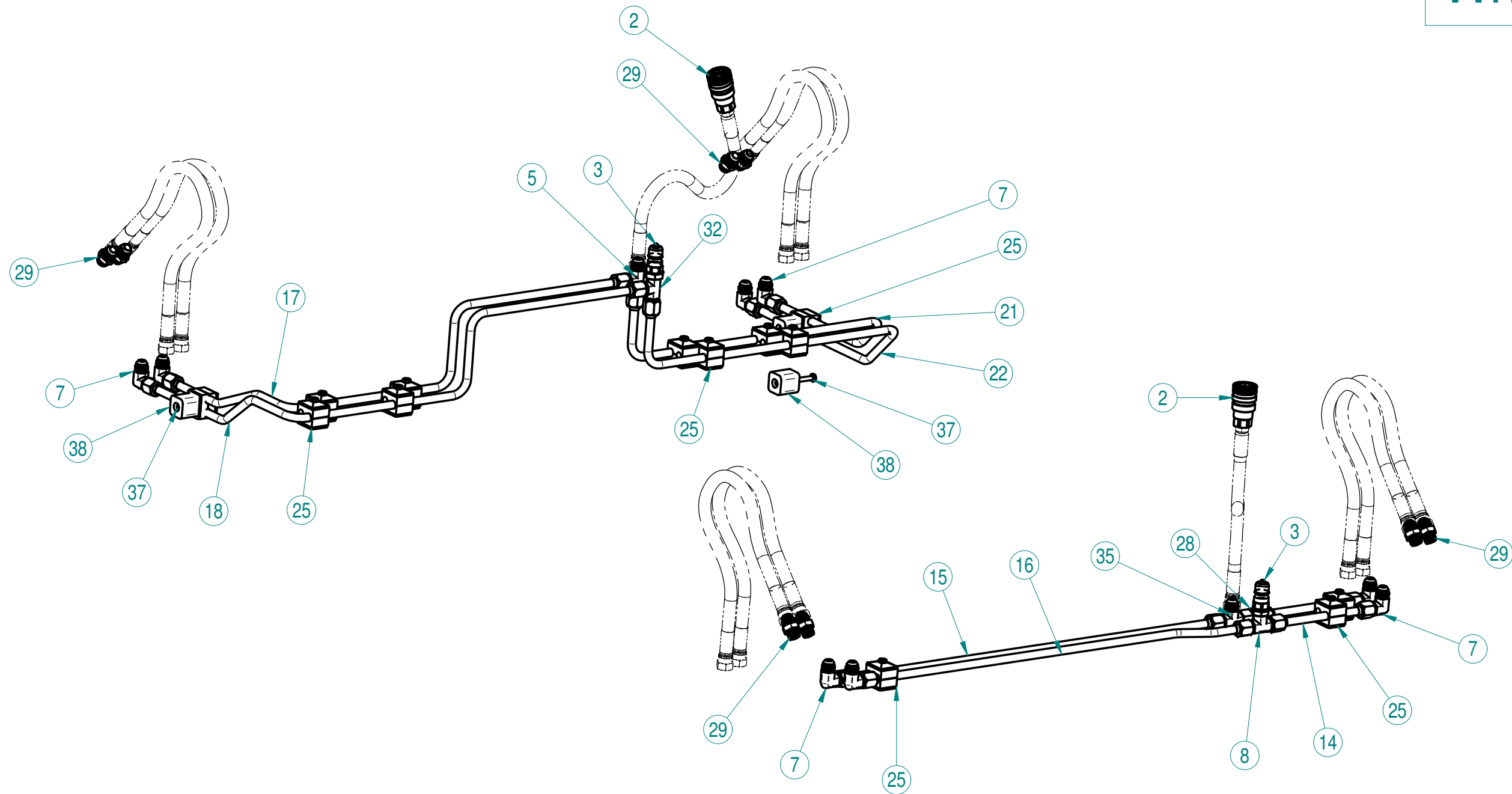


Item no: **5010558**  
Revision: **A**

Title: Hydraulats CD400 SP Speedy

Spare part view

Wheel tilt

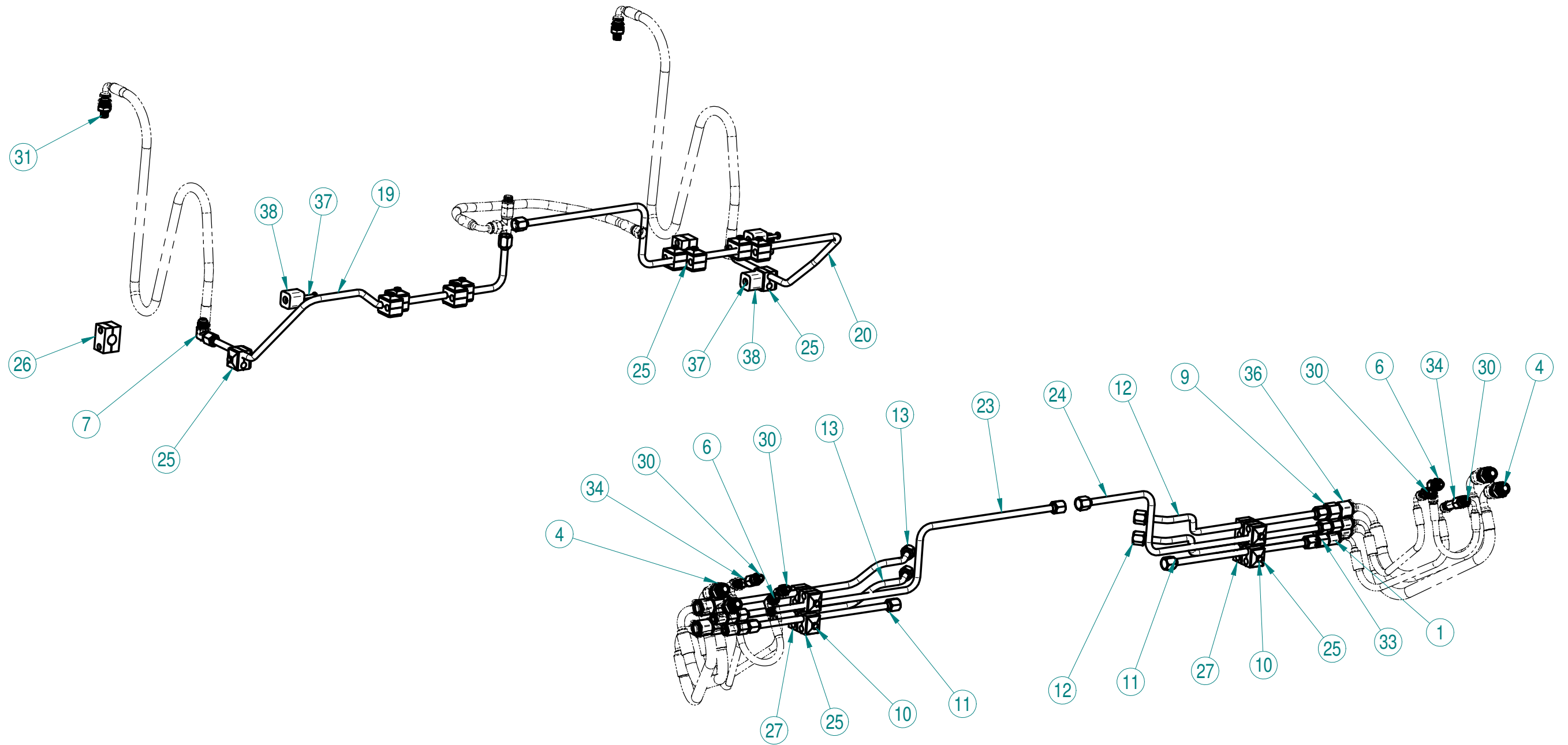


Item no: **5010558**  
Revision: **A**

Title: Hydraulsats CD400 SP Speedy

Spare part view

# Brake and drive



Item no: **5010558**  
 Revision: **A**

Title: **Hydraulsats CD400 SP Speedy**  
 Title: G=1000, G=1067

### Part list

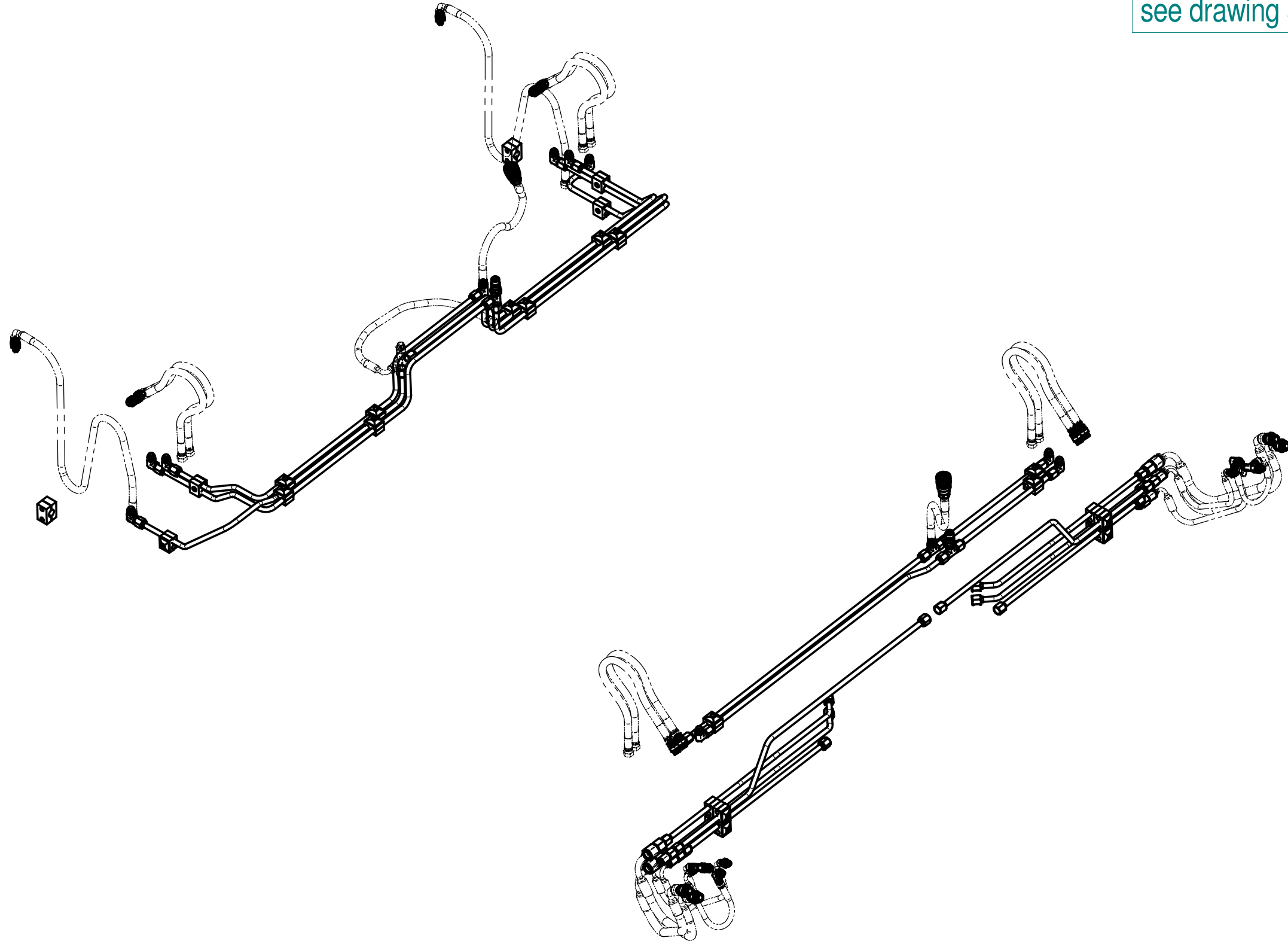
Pos	Pcs	Title	Description	Item no:
1	4	Quick release fitting VEO 1/4" Male		7C14810-04-04
2	2	Quick release fitting 3/8" Female		5552-23-06
3	2	Quick release fitting 3/8" Male		5552-22-06
4	4	Adapter		7616-14-08
5	1	T-joint fitting		7603-12-12
6	2	Adjustable elbow fitting		7622-09-04
7	10	Adapter		7602-12-12
8	1	T-coupling		7641-12-06
9	4	Adapter		7651-12-08
10	4	Screw		103032
11	2	Drain wheel motor / Connection		5008806
12	2	Wheel motor / Cross-over		5008807
13	2	Wheel motor / Cross-over		5008809
14	2	Wheel tilt / Connection		5008811
15	1	Wheel tilt / Connection		5008812
16	1	Wheel tilt / Connection		5008813
17	1	Wheel tilt / Connection		5008814
18	1	Wheel tilt / Connection		5008815
19	1	Brake / Connection		5008816
20	1	Brake / Connection		5008817
21	1	Wheel tilt / Connection		5008818
22	1	Wheel tilt / Connection		5008819
23	1	Brake / Connection		5010562
24	1	Brake / Connection		5010563
25	19	Clamp		5343-01-12
26	2	Clamp		5390-04-20
27	4	Clamp		5390-41-12
28	1	Adapter		7601-12-12
29	8	Adapter		7613-12-06
30	4	Adapter		7616-09-04
31	2	Adapter		7616-12-04
32	1	L-fitting		7644-12-06
33	4	Adapter		7651-12-04
34	2	L-fitting swivel nut		7663-09-09
35	1	L-fitting swivel nut		7663-12-12
36	4	Quick release fitting VEO 1/2" Male		7C14 810-08-08
37	3	Screw		101020
38	3	Spacer		5008805

Item no: **5010559**  
Revision: **A**

Title: Hydraulsats CD400 SP Speedy

Spare part view

Information about the hoses,  
see drawing 5010557



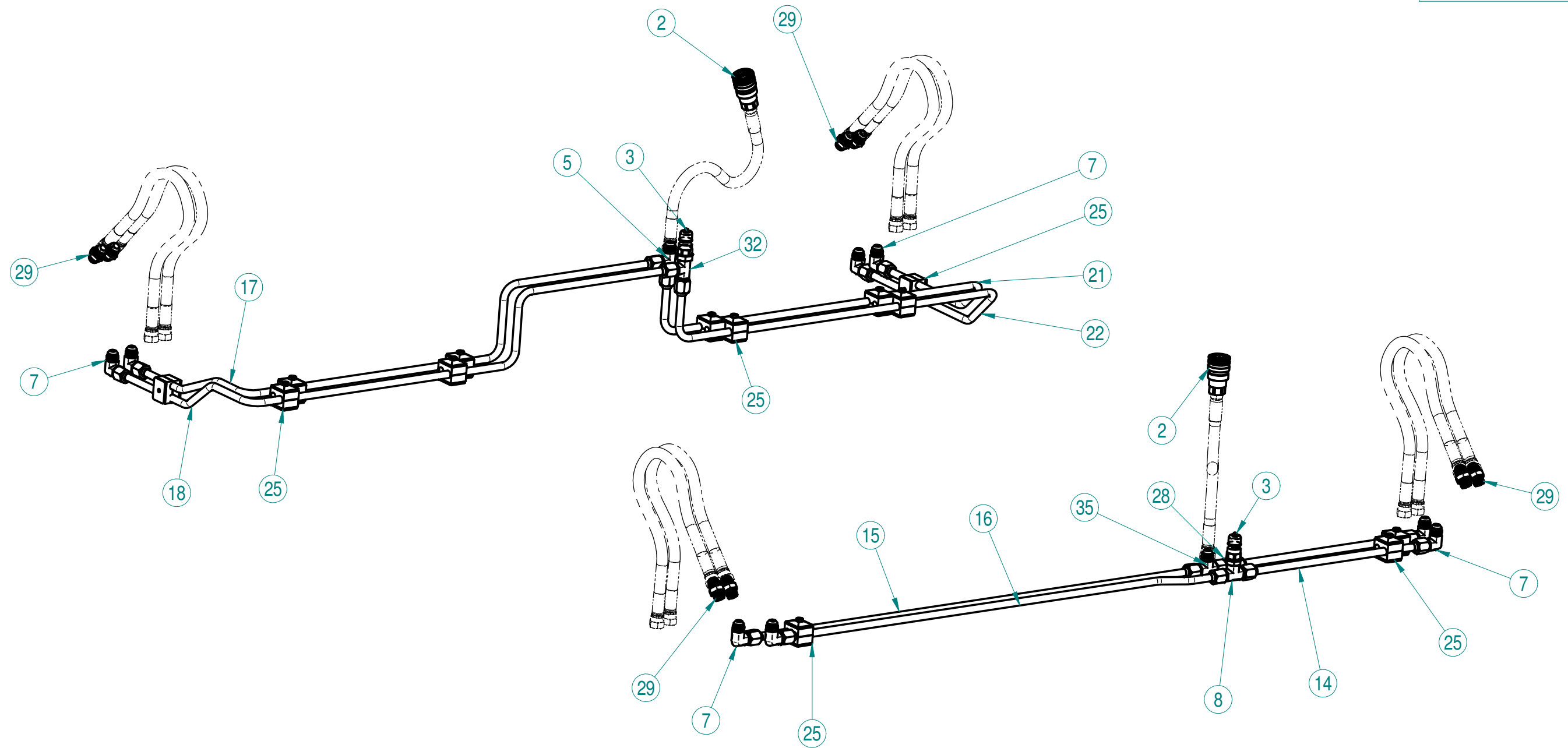


Item no: **5010559**  
Revision: **A**

Title: Hydraulsats CD400 SP Speedy

Spare part view

# Wheel tilt

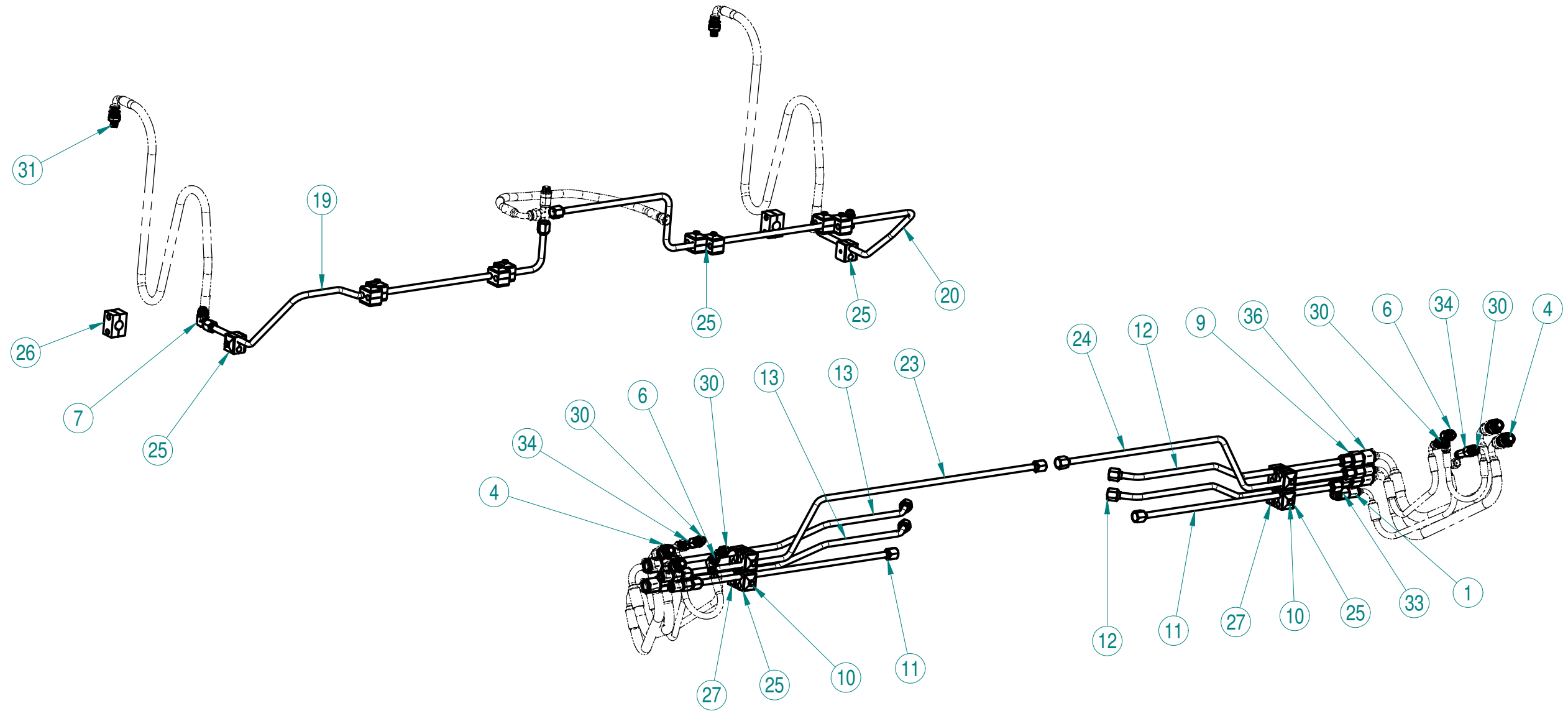


Item no: **5010559**  
Revision: **A**

Title: Hydraulats CD400 SP Speedy

Spare part view

# Brake and drive



Item no: **5010559**  
 Revision: **A**

Title: **Hydraulsats CD400 SP Speedy**  
 Title: G=1435

### Part list

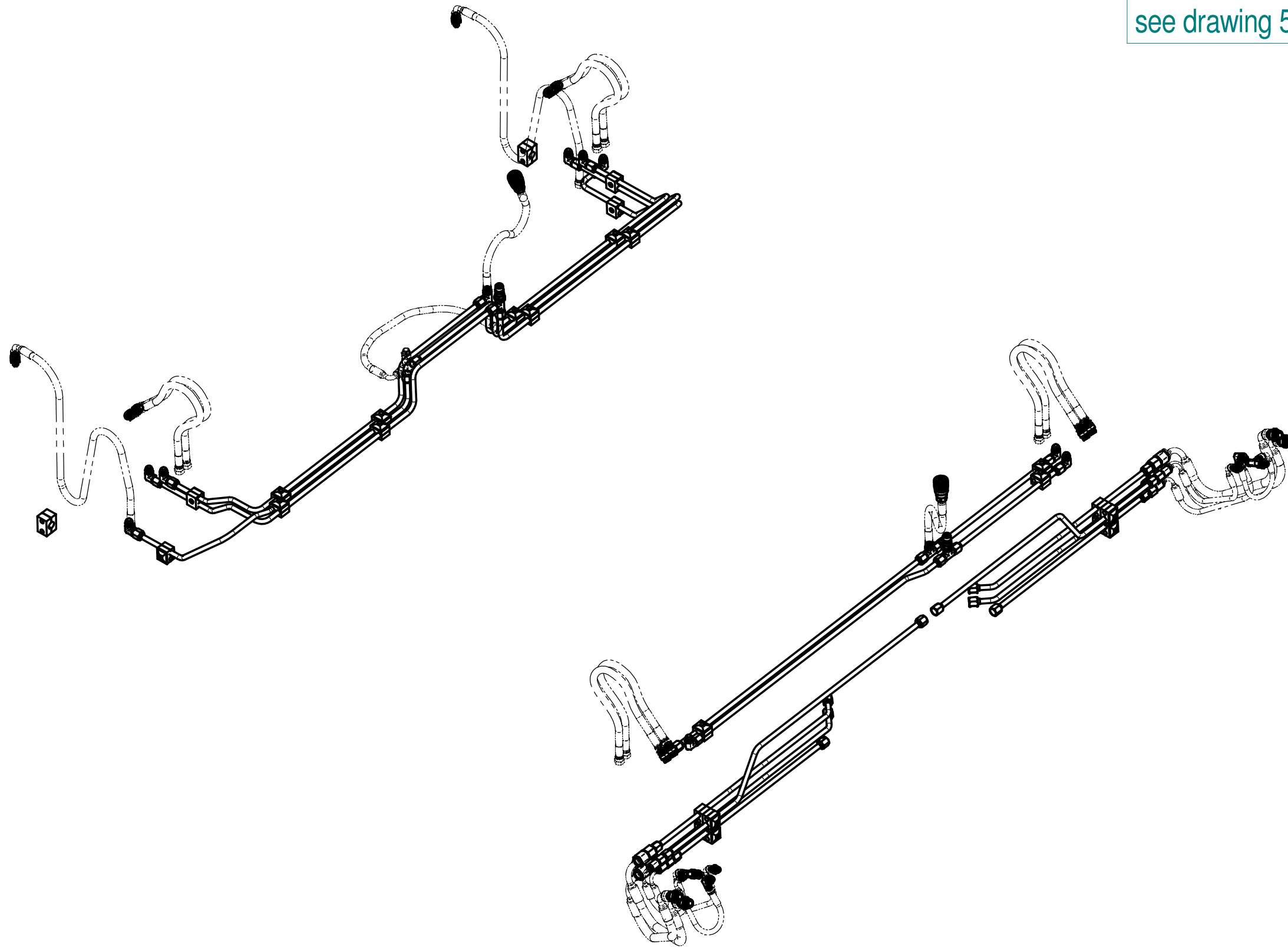
Pos	Pcs	Title	Description	Item no:
1	4	Quick release fitting VEO 1/4" Male		7C14810-04-04
2	2	Quick release fitting 3/8" Female		5552-23-06
3	2	Quick release fitting 3/8" Male		5552-22-06
4	4	Adapter		7616-14-08
5	1	T-joint fitting		7603-12-12
6	2	Adjustable elbow fitting		7622-09-04
7	10	Adapter		7602-12-12
8	1	T-coupling		7641-12-06
9	4	Adapter		7651-12-08
10	4	Screw		103032
11	2	Drain wheel motor / Connection		5007771
12	2	Wheel motor / Cross-over		5007774
13	2	Wheel motor / Cross-over		5007772
14	2	Wheel tilt / Connection		5007778
15	1	Wheel tilt / Connection		5010212
16	1	Wheel tilt / Connection		5010211
17	1	Wheel tilt / Connection		5007785
18	1	Wheel tilt / Connection		5007784
19	1	Brake / Connection		5007783
20	1	Brake / Connection		5007779
21	1	Wheel tilt / Connection		5007786
22	1	Wheel tilt / Connection		5007787
23	1	Brake / Connection		5010251
24	1	Brake / Connection		5010252
25	19	Clamp		5343-01-12
26	2	Clamp		5390-04-20
27	4	Clamp		5390-41-12
28	1	Adapter		7601-12-12
29	8	Adapter		7613-12-06
30	4	Adapter		7616-09-04
31	2	Adapter		7616-12-04
32	1	L-fitting		7644-12-06
33	4	Adapter		7651-12-04
34	2	L-fitting swivel nut		7663-09-09
35	1	L-fitting swivel nut		7663-12-12
36	4	Quick release fitting VEO 1/2" Male		7C14 810-08-08

Item no: **5010560**  
Revision: **A**

Title: Hydraulsats CD400 SP Speedy

Spare part view

Information about the hoses,  
see drawing 5010557

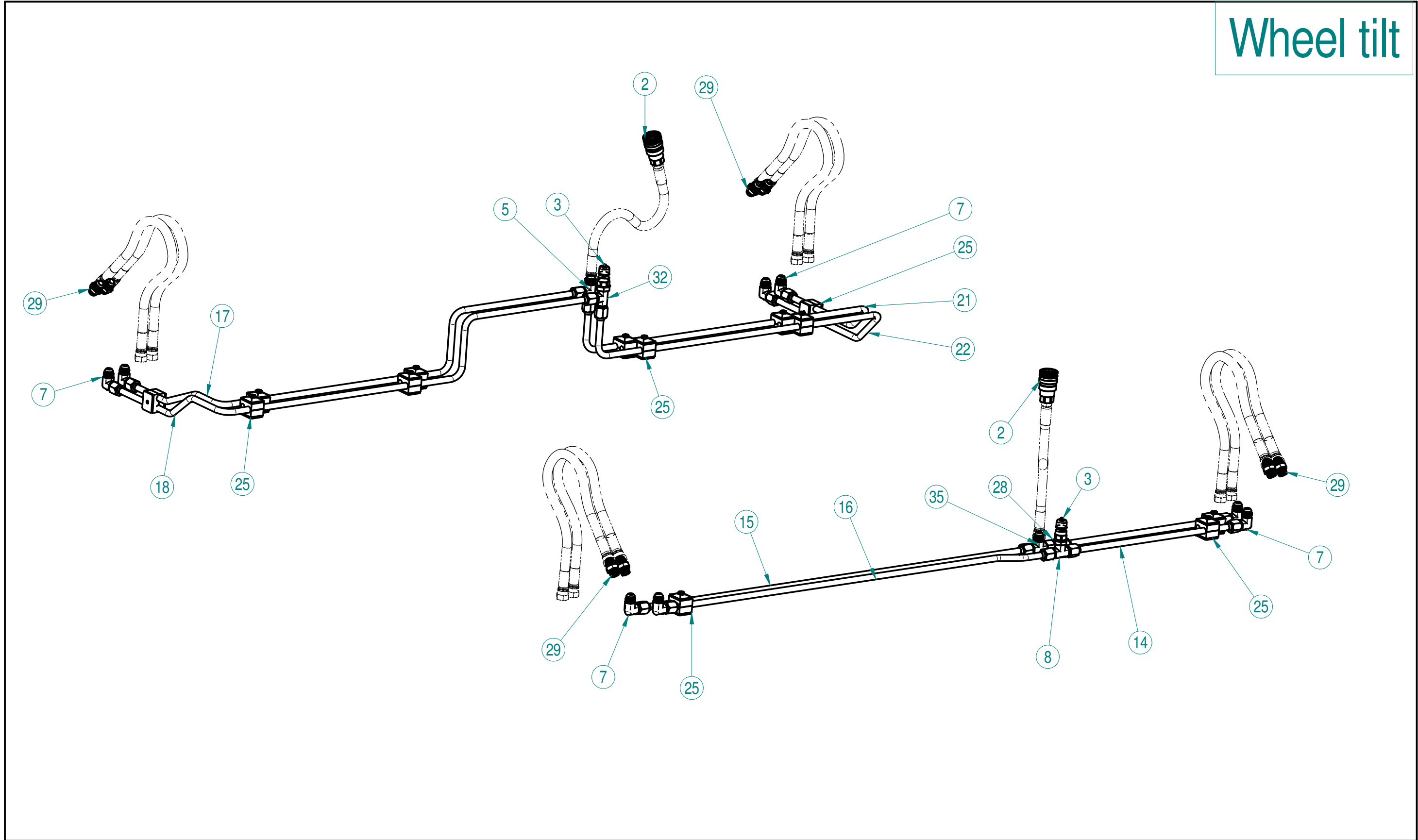


Item no: **5010560**  
Revision: **A**

Title: Hydraulsats CD400 SP Speedy

Spare part view

# Wheel tilt

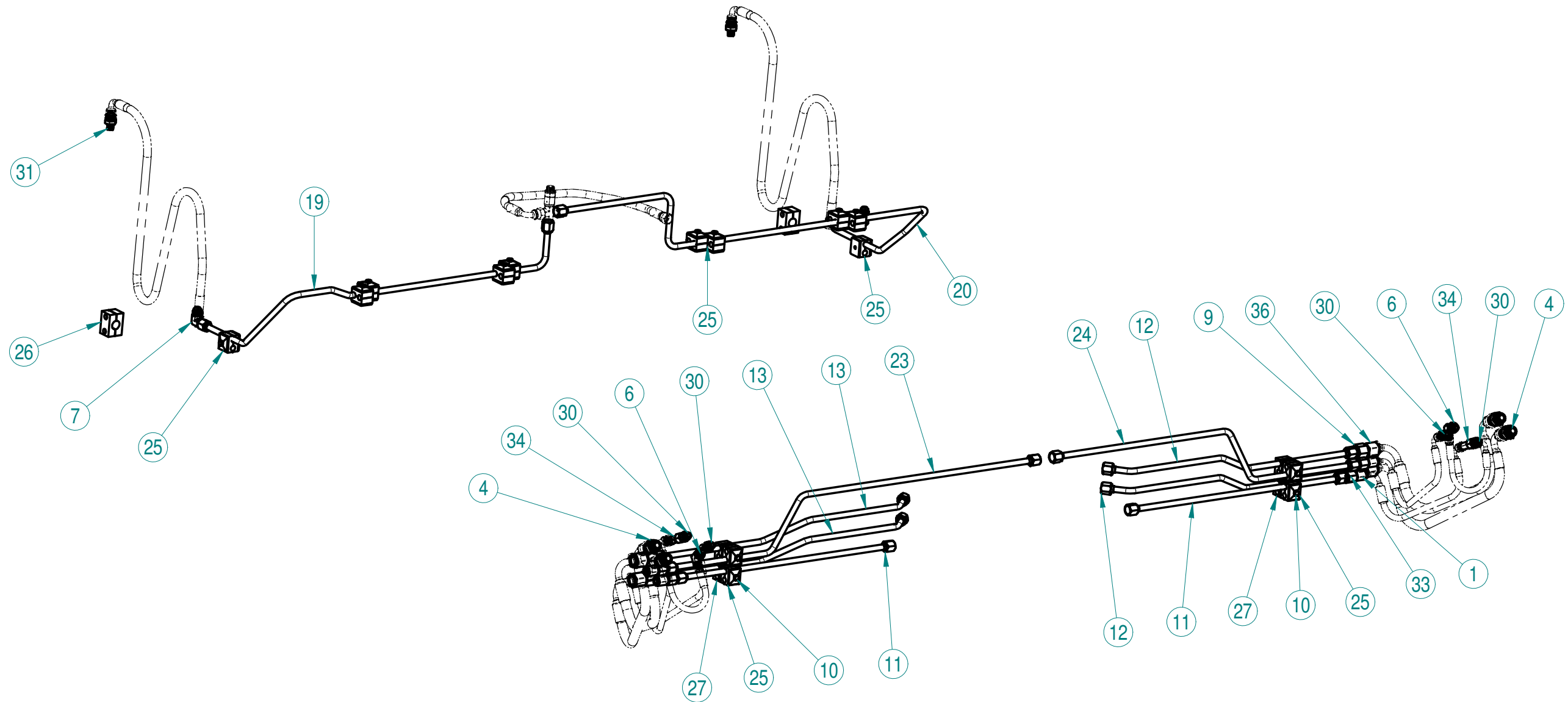


Item no: **5010560**  
Revision: **A**

Title: Hydraulats CD400 SP Speedy

Spare part view

# Brake and drive



Item no: **5010560**  
 Revision: **A**

Title: **Hydraulsats CD400 SP Speedy**  
 Title: G=1520

### Part list

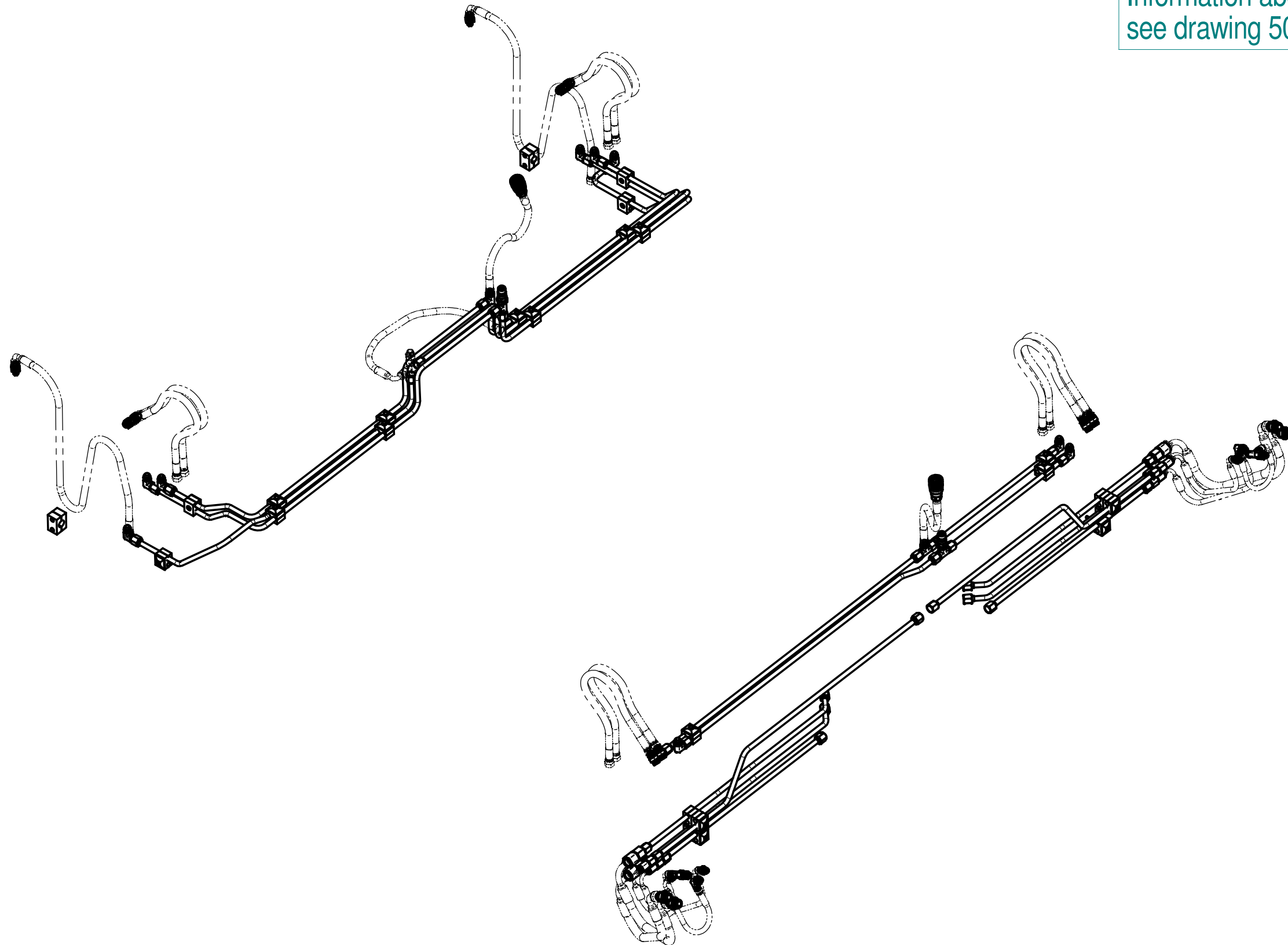
Pos	Pcs	Title	Description	Item no:
1	4	Quick release fitting VEO 1/4" Male		7C14810-04-04
2	2	Quick release fitting 3/8" Female		5552-23-06
3	2	Quick release fitting 3/8" Male		5552-22-06
4	4	Adapter		7616-14-08
5	1	T-joint fitting		7603-12-12
6	2	Adjustable elbow fitting		7622-09-04
7	10	Adapter		7602-12-12
8	1	T-coupling		7641-12-06
9	4	Adapter		7651-12-08
10	4	Screw		103032
11	2	Drain wheel motor / Connection		5010610
12	2	Wheel motor / Cross-over		5010613
13	2	Wheel motor / Cross-over		5010611
14	2	Wheel tilt / Connection		5010607
15	1	Wheel tilt / Connection		5010606
16	1	Wheel tilt / Connection		5010605
17	1	Wheel tilt / Connection		5010617
18	1	Wheel tilt / Connection		5010615
19	1	Brake / Connection		5010609
20	1	Brake / Connection		5010608
21	1	Wheel tilt / Connection		5010616
22	1	Wheel tilt / Connection		5010618
23	1	Brake / Connection		5010564
24	1	Brake / Connection		5010565
25	19	Clamp		5343-01-12
26	2	Clamp		5390-04-20
27	4	Clamp		5390-41-12
28	1	Adapter		7601-12-12
29	8	Adapter		7613-12-06
30	4	Adapter		7616-09-04
31	2	Adapter		7616-12-04
32	1	L-fitting		7644-12-06
33	4	Adapter		7651-12-04
34	2	L-fitting swivel nut		7663-09-09
35	1	L-fitting swivel nut		7663-12-12
36	4	Quick release fitting VEO 1/2" Male		7C14 810-08-08

Item no: **5010561**  
Revision: **A**

Title: Hydraulsats CD400 SP Speedy

Spare part view

Information about the hoses,  
see drawing 5010557



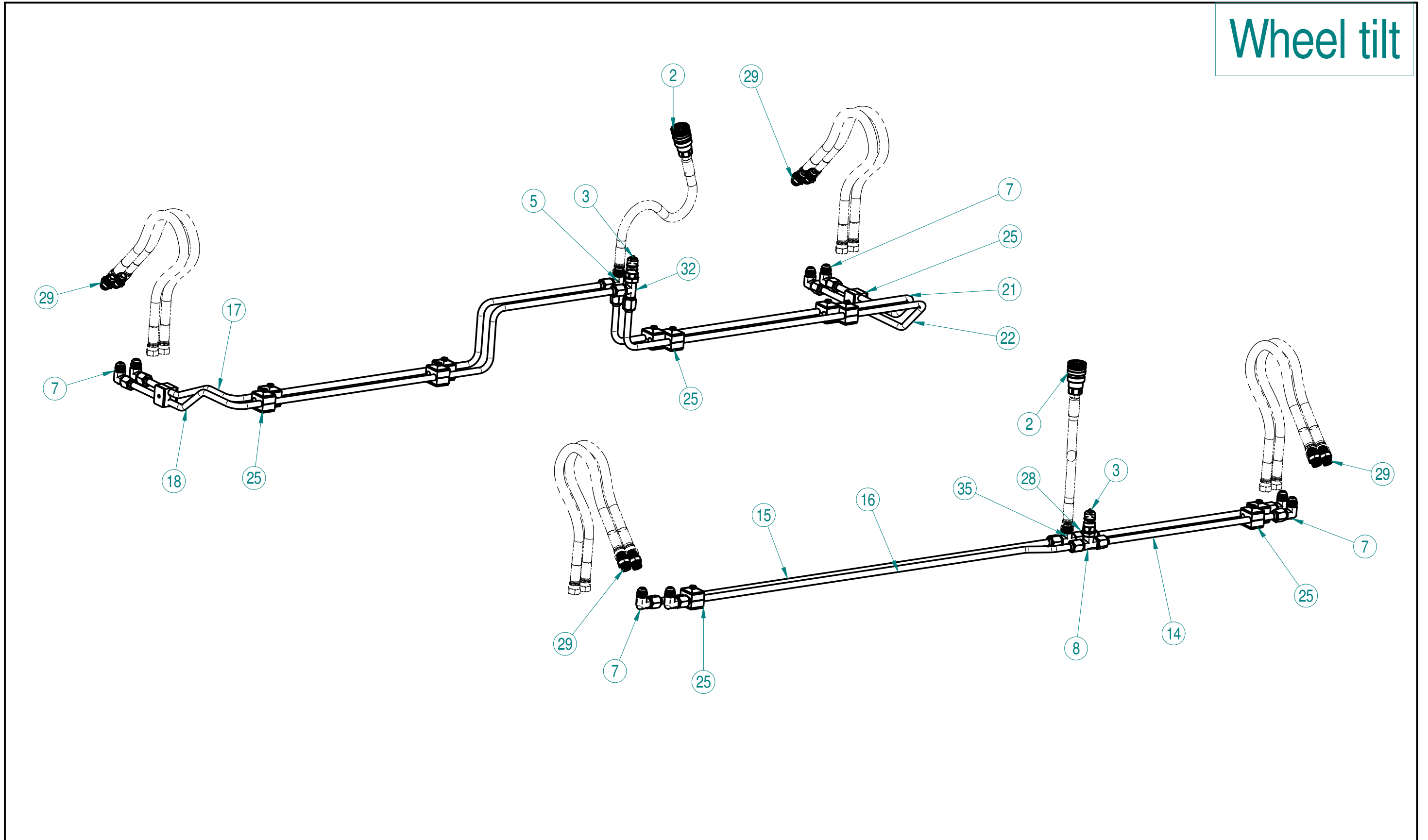


Item no: **5010561**  
Revision: **A**

Title: Hydraulats CD400 SP Speedy

Spare part view

# Wheel tilt

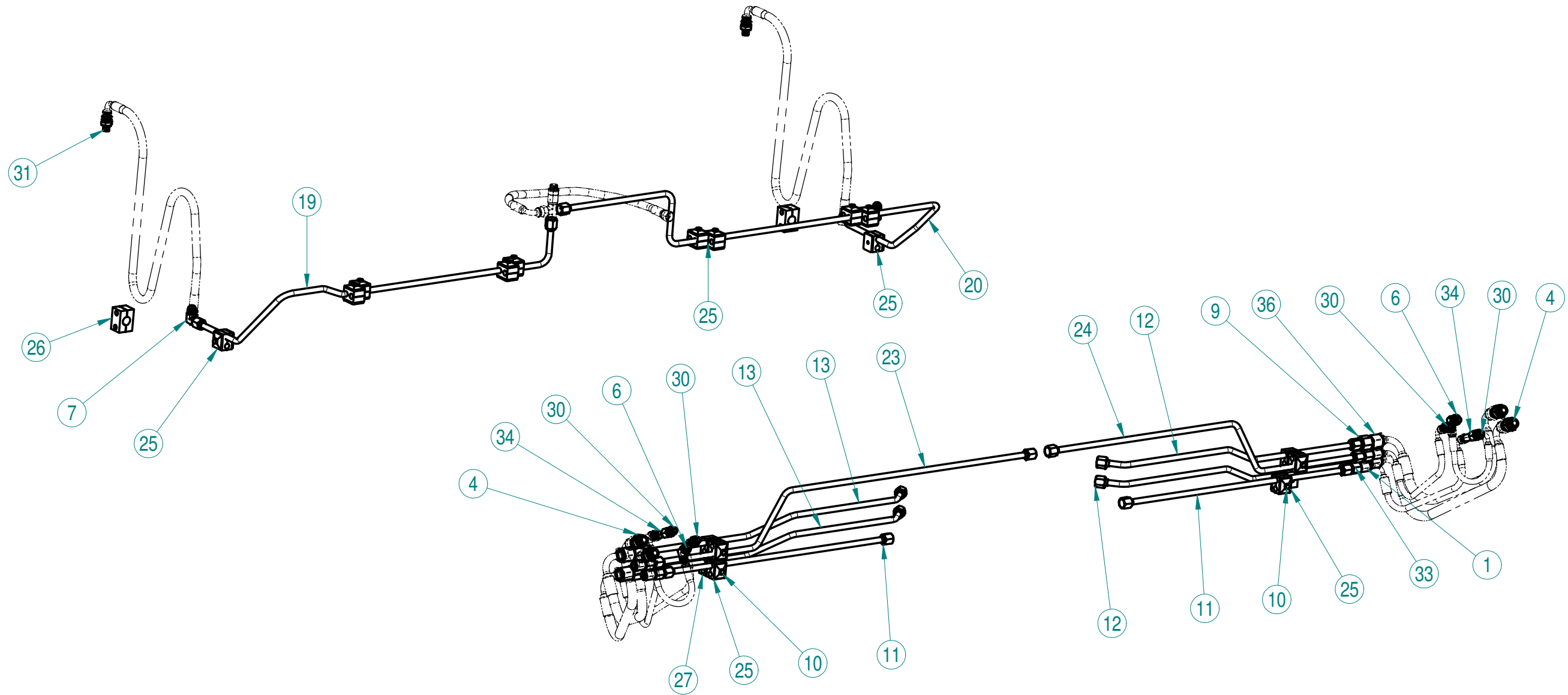


Item no: **5010561**  
Revision: **A**

Title: Hydraulats CD400 SP Speedy

Spare part view

# Brake and drive



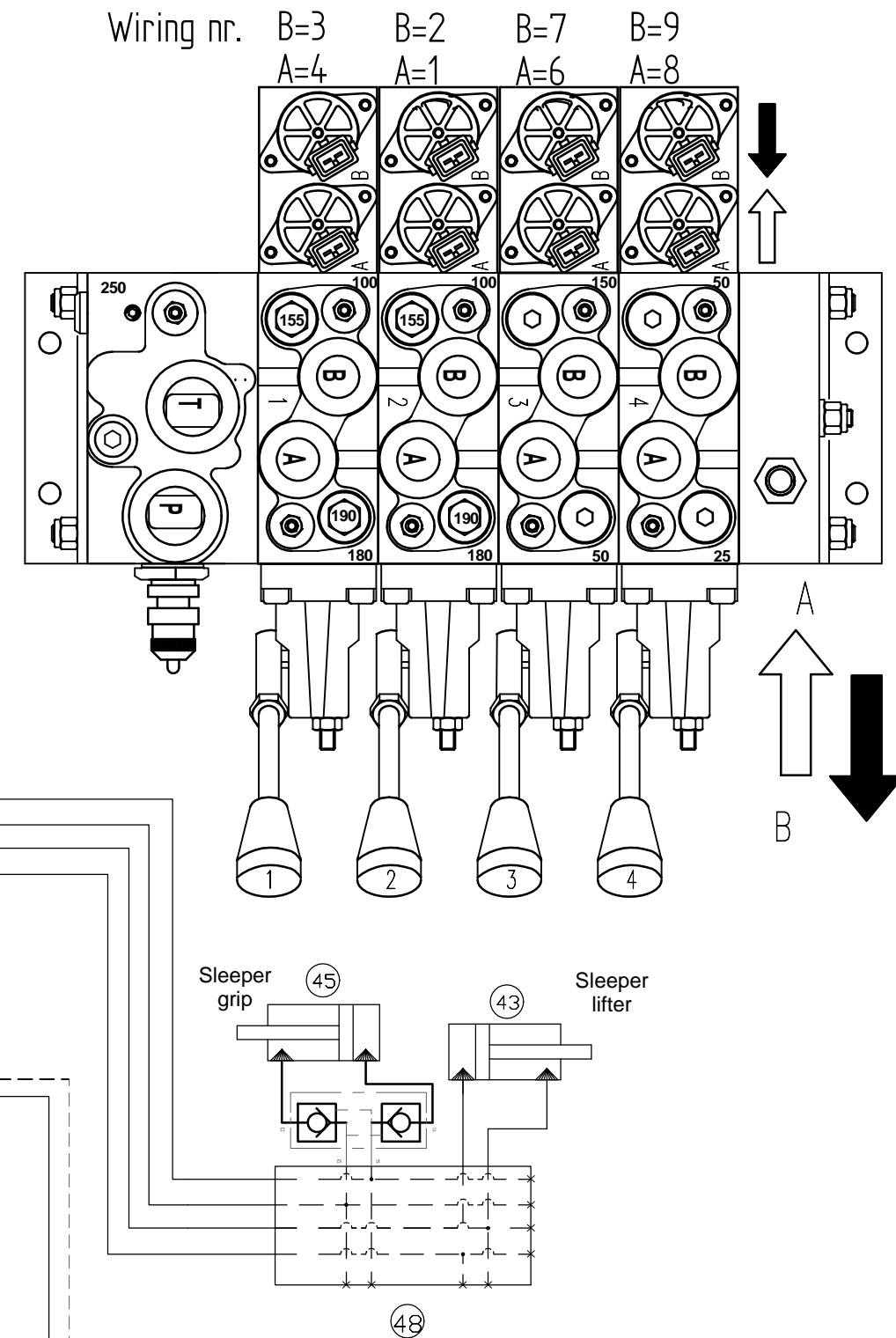
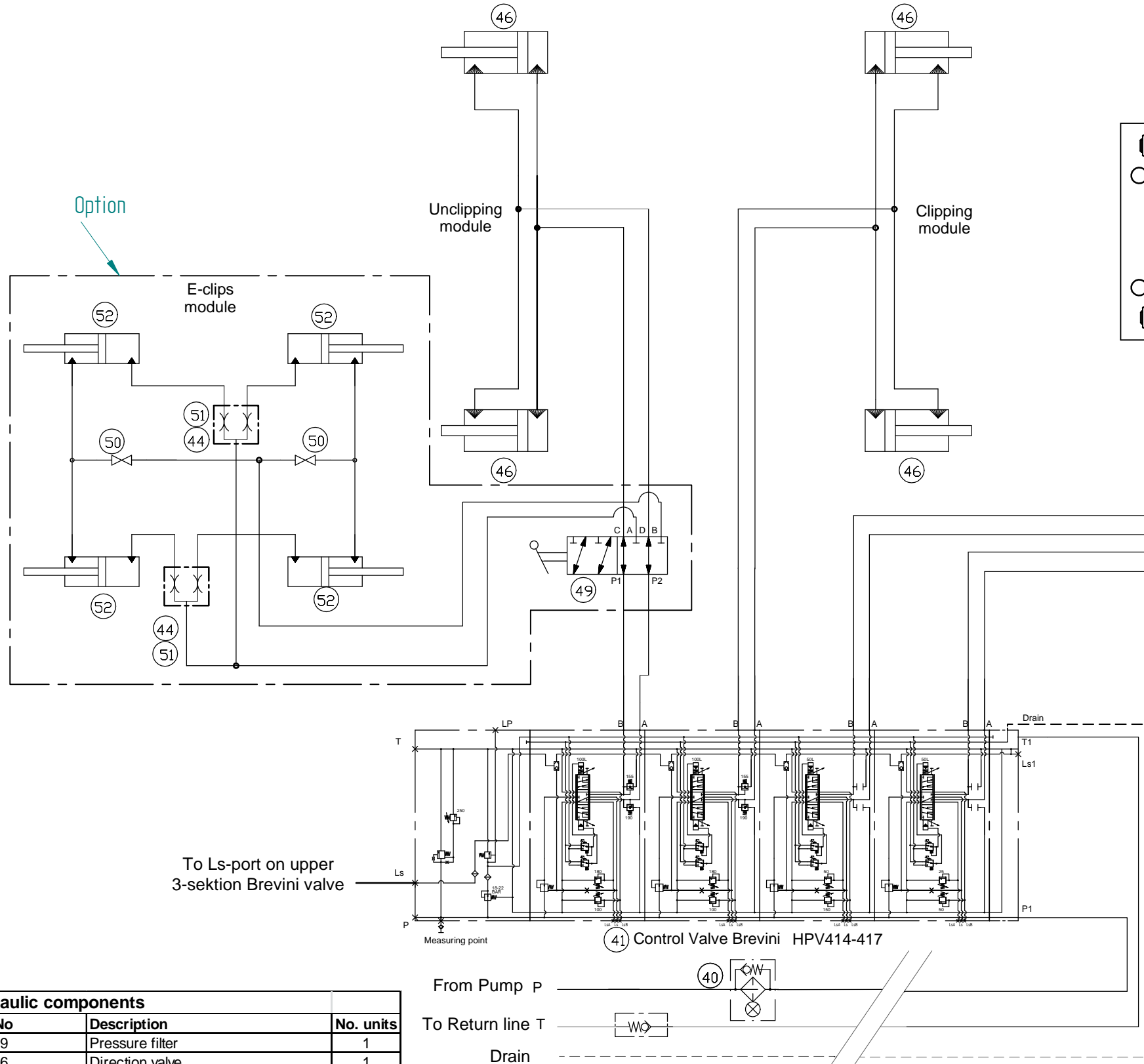
Item no: **5010561**  
 Revision: **A**

Title: **Hydraulsats CD400 SP Speedy**  
 Title: G=1600

### Part list

Pos	Pcs	Title	Description	Item no:
1	4	Quick release fitting VEO 1/4" Male		7C14810-04-04
2	2	Quick release fitting 3/8" Female		5552-23-06
3	2	Quick release fitting 3/8" Male		5552-22-06
4	4	Adapter		7616-14-08
5	1	T-joint fitting		7603-12-12
6	2	Adjustable elbow fitting		7622-09-04
7	10	Adapter		7602-12-12
8	1	T-coupling		7641-12-06
9	4	Adapter		7651-12-08
10	4	Screw		103032
11	2	Drain wheel motor / Connection		5008342
12	2	Wheel motor / Cross-over		5008340
13	2	Wheel motor / Cross-over		5008338
14	2	Wheel tilt / Connection		5008337
15	1	Wheel tilt / Connection		5008335
16	1	Wheel tilt / Connection		5008336
17	1	Wheel tilt / Connection		5008330
18	1	Wheel tilt / Connection		5008332
19	1	Brake / Connection		5008333
20	1	Brake / Connection		5008334
21	1	Wheel tilt / Connection		5008329
22	1	Wheel tilt / Connection		5008331
23	1	Brake / Connection		5010566
24	1	Brake / Connection		5010566
25	19	Clamp		5343-01-12
26	2	Clamp		5390-04-20
27	4	Clamp		5390-41-12
28	1	Adapter		7601-12-12
29	8	Adapter		7613-12-06
30	4	Adapter		7616-09-04
31	2	Adapter		7616-12-04
32	1	L-fitting		7644-12-06
33	4	Adapter		7651-12-04
34	2	L-fitting swivel nut		7663-09-09
35	1	L-fitting swivel nut		7663-12-12
36	4	Quick release fitting VEO 1/2" Male		7C14 810-08-08

Nr/No	Rev	Ändring/Modification	Sign.	Datum/Date
1	A	Översättning av Tryck och textfont	Erho	2016-08-17
2	B	Justering av tryck efter testkörning Speedy	Erho	2017-02-08

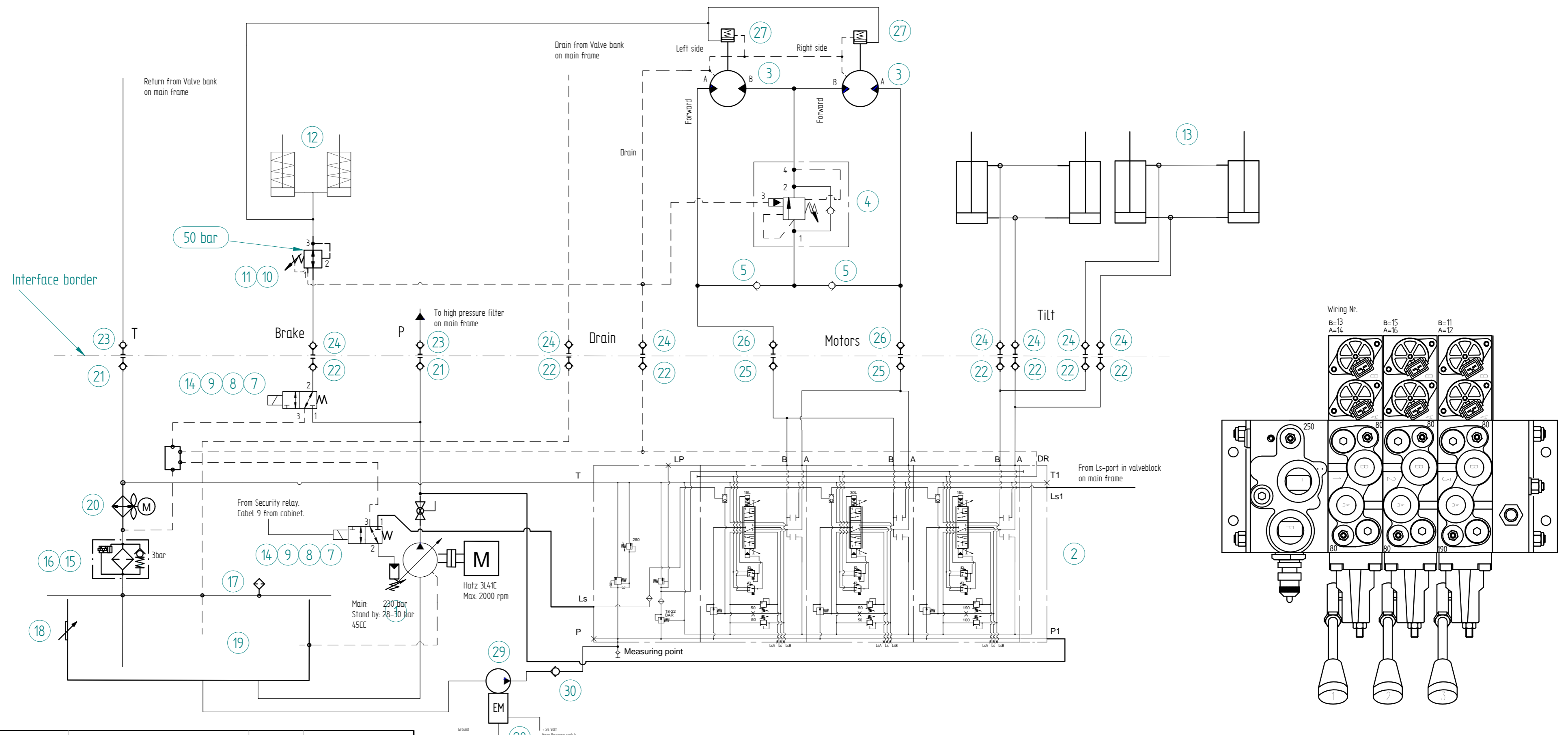


Section	Function	Flow	A-port	B-port
Section 1:	Clipping	100 l/min	180 Bar	100 Bar
Section 2:	Declipping	100 l/min	180 Bar	100 Bar
Section 3:	Slipersgrip	50 l/min	50 Bar	150 Bar
Section 4:	Sliperslift	50 l/min	25 Bar	50 Bar

Hydraulic components			
Pos	Part No	Description	No. units
40	295009	Pressure filter	1
41	220086	Direction valve	1
42			
43	200009	Lifting cylinder	1
44	230041	Valve housing	2
45	200007	Gripping cylinder	1
46	200005	Clipping/declipping cylinder	4
47			
48	5000579	Distribution block	1
49	220053	Selector valve G3/8" 6/2	1
50	220046	Ball valve 2-way G3/8" P=500 Bar	2
51	220146	Flow divider	2
52	200034	Clipping cylinder E-clips	4
			2

Interface border Power Pack

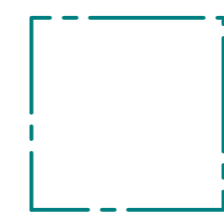
MATERIAL		DÄR EJ ANNAT ANGIVITS / UNLESS OTHERWISE STATED		ALLMÄNT / GENERAL	
KVALITE / QUALITY	TOLERANS / TOLERANCE	YTJÄMNHET / SURFACE ROUGHNESS	DATUM / DATE	KONSTRUERAD / DESIGNED	GRANSKAD / CHECKED
	ISO 2768-m / H 11	Ra 3,2	2013-09-25	sos	
SLAG / TYPE	DIMENSION	SKARPA KANTER BRITVA / SHARP EDGES BROKEN CA / ABOUT	GRADER TILLÅTS INTE / BURRS NOT PERMITTED	SKALA / SCALE	SIDA / SHEET
	0,3 x 45°			A4	1 OF 1
BENÄMNING / NAME				RITN.NR / DRAWING NO	REVISION
Hydraulschema CD400 SP Adjustable frame				5008140 164/175	B



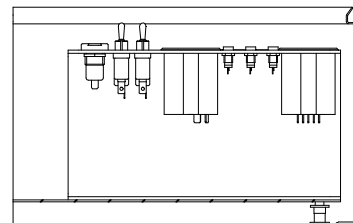
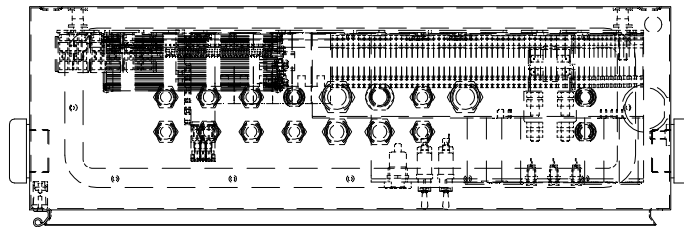
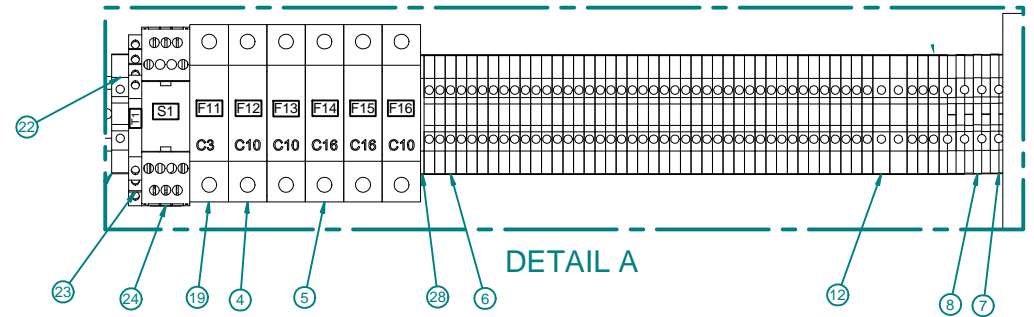
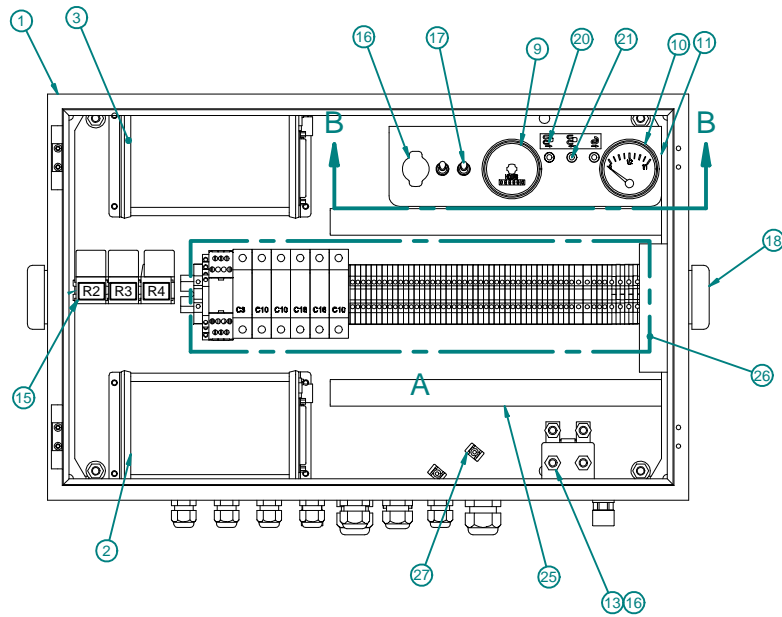
**Parts list Hydraulics**

POS	QTY	Benämning	Description	P/N	Remarks
1	1	Axialpump	Axial piston pump	203013	PVM045
2	1	Riktningventil 3 sektioner	Directional valve 3 sektioner		Brevini HPV413
3	2	Hydraulmotor	Hydraulic motor	202553	MSS125PS
4	1	Läck kompensator	Leakage kompensator	220304	SUN (MAV+CWCK)
5	2	Backventil 3/8"	Check valve 3/8"	220035	VU-38
6					
7	1	3-vägs 2-läges ventil	3-way 2 position valve	220004	GS 043300 NC
8	1	Ventilhus	Valve housing	230000	LB10716-S
9	1	Magnetspole 24V 28W	Solenoid 24V	390039	CAP 024 D
10	1	Tryckreducerare	Pressure reducer	220016	C02A3GZN
11	2	Ventilhus	Valve housing	230003	LB10525S
12	2	Bromscylinder	Brake cylinder	200044	TMF-320
13	4	Hydraulcylinder	Hydraulic cylinder	200016	40/25-0100
14	2	Hirschmankontakt	Hirschmanconnector	390041	
15	1	Returfilter	Return filter	295002	RFM033010E
16	1	Utbytesinsats returfilter	Cartridge return filter	295001	
17	1	Tanklock med andningsfilter	Filler cap with breather filter	595002	
18	1	Nivåglas med termometer	Level glass with temp gauge	595030	
19	1	Hydrauloljetank	Hydraulic oil reservoir	31990217	
20	1	Luft/oljekylare	Air/oil cooler	595027	
21	2	Snabbkoppling 3/4" Hane	Quick Release Fitting	251307	5T7520
22	7	Snabbkoppling 3/8" Hane	Quick Release Fitting	251303	5T3820
23	2	Snabbkoppling 3/4" Hona	Quick Release Fitting	251308	5T7510
24	7	Snabbkoppling 3/8" Hona	Quick Release Fitting	251302	5T3810
25	2	Snabbkoppling 1/2" Hane	Quick Release Fitting	251309	5T5020
26	2	Snabbkoppling 1/2" Hona	Quick Release Fitting	251310	5T5010
27	2	Bromsenhet	Break unit	202508	LBS/289-43CBP
28	1	Elmotor	Electrical motor	390050	24MB22TWA
29	1	Hydraulpump	Hydraulic pump	203000	P1-13-M06
30	1	Backventil 1/4"	Check valve 1/4"	220015	VU-14

Mainpressure: 250 Bar      A-port    B-port  
 Section 1: Work 15 l/min    80 Bar    80 Bar  
 Section 2: Transport 30 l/min    80 Bar    80 Bar  
 Section 3: Wheeltilt 15 l/min    190 Bar    80 Bar

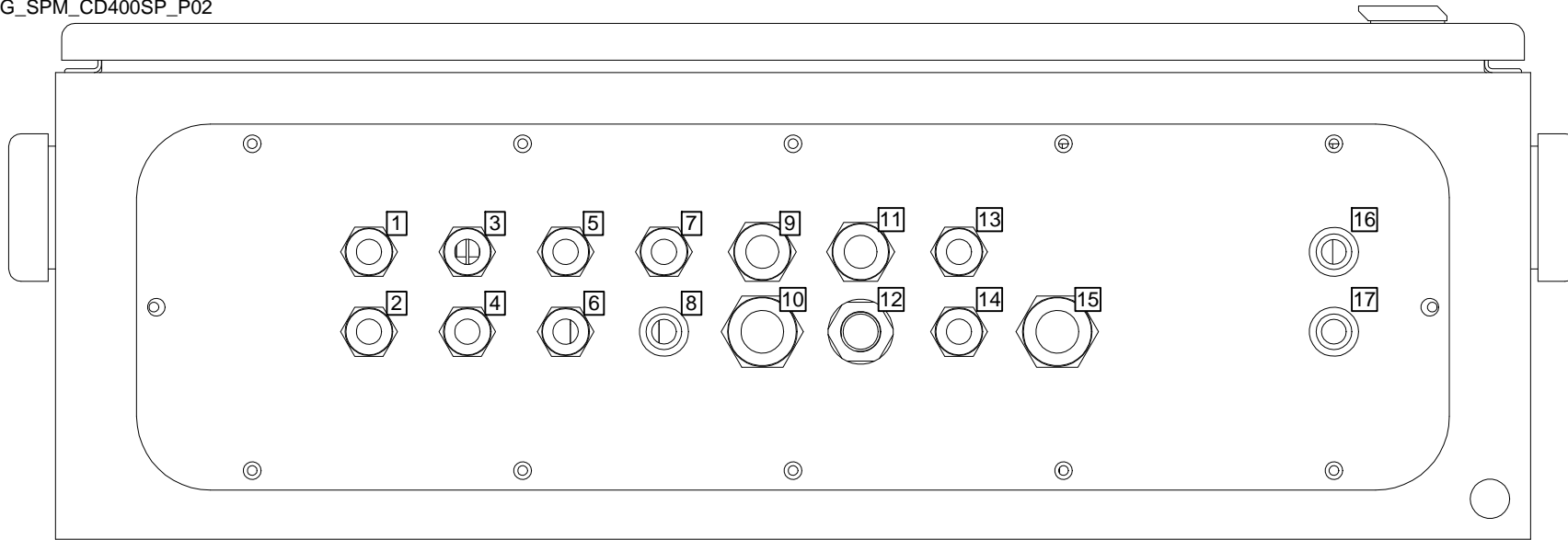


MATERIAL		DÄR EJ ANNAT ANGIVITS / UNLESS OTHERWISE STATED		ALLMÄNT / GENERAL	
KVALITE / QUALITY	TOLERANS / TOLERANCE	YTMÄNNHET / SURFACE ROUGHNESS	DATUM / DATE	KONSTRUERAD / DESIGNED	GRANSKAD / CHECKED
SLAG / TYPE	DIMENSION	SKARPA KANTER BRITNA / SHARP EDGES BROKEN CA / ABOUT	2017-06-27	Erho	
		GRADER TILLÅTS INTE / BURRS NOT PERMITTED		SKALA / SCALE	SIDA / SHEET
				A2	1 OF 1
			BENÄMNING / NAME		RITN.NR / DRAWING NO
			Hydraulic schematics CD400SP		5011723 165/175
			With Recovery kit, motors in series circuit		B
TEL: +46(0)650-165 05, FAX: +46(0)650-165 01			UTSKRIFTSDATUM / PRINT DATE: 2017-06-27 KL 07:05		
FILNAMN / FILENAME: 5011723-B.pdf					



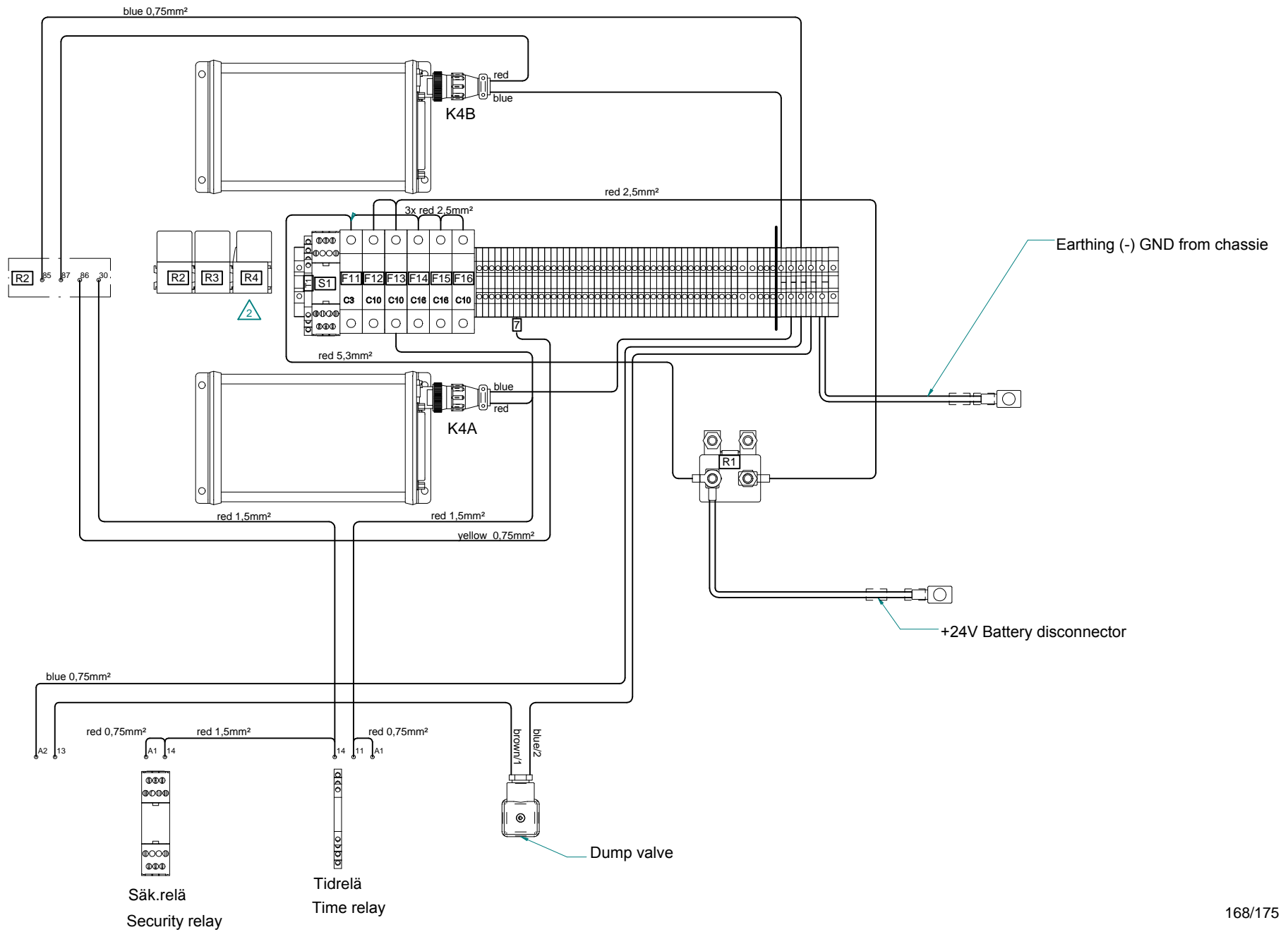
SECTION B-B

1	S8927	Cabinet AE 600*380*210 för S3411	1
2	S6360-30	EC 16-16 CD400 Power Pack	1
3	S6360C2	EC 16-16 CD400 sensor	1
4	S7766	Automatic fuse 10A för DIN-skena	3
5	S8549	Automatic fuse 16A för DIN-skena	2
6	S7675-2,5	Terminal WPE 2,5 Grey	45
7	S7676-10	Terminal WPE 10 Green/yellow	1
8	S7676-6	Terminal WPE 6 Green/yellow	4
9	S7850	Hour meter VDO 52mm 24V	1
10	S7851	fuel gauge VDO 52mm 12-24V	1
11	S5411	Attachplate CD400	1
12	S7675-6	terminal WPE 6 Grey	2
13	S7775	Relay 1-pol 100A	1
14	S7681	Metalbracketl	1
15	S8446/47	Relay24V incl socket	3
16	S5448	Bracket to relay S7775	1
17	S8550	Switch 2-func 15A	2
18	S8642	Ventilationhood DA284 M40x1,5	2
19	S7768	Automatic fuse 3A for DIN-skena	1
20	S5471-2	Sticker CD400 Power Pack	1
21	S7528	LED green 8,0mm	3
22	S7677	Endsupport WEW 35/2	2
23	S9333	Relay time	1
24	S9334	Relay security	1
25	S8445	Cable duct 25x80, L=310	2
26	S7919-1	Wire bundle holder 30mm, L=120	1
27	S7511	cable tie anchor5mm	2
28	S7678	EndsupportWAP 2,5	1

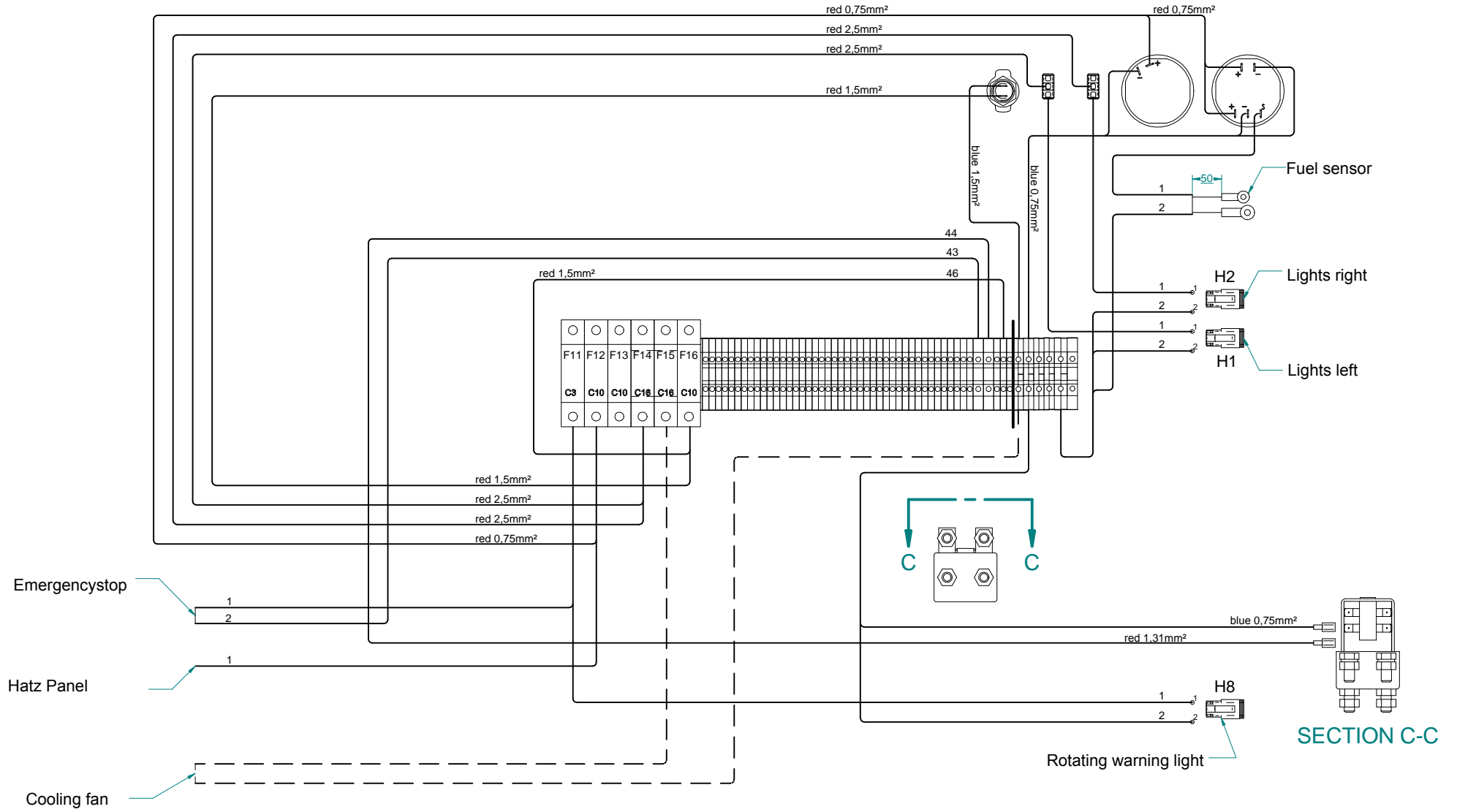
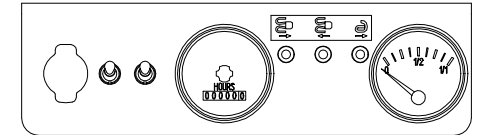


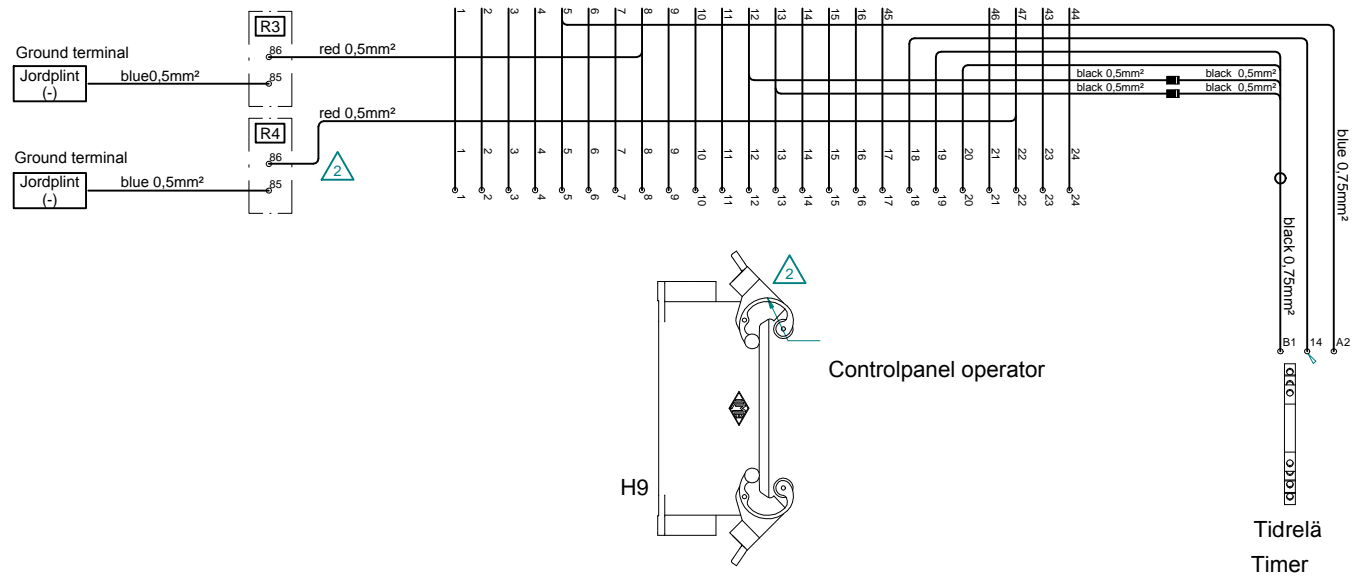
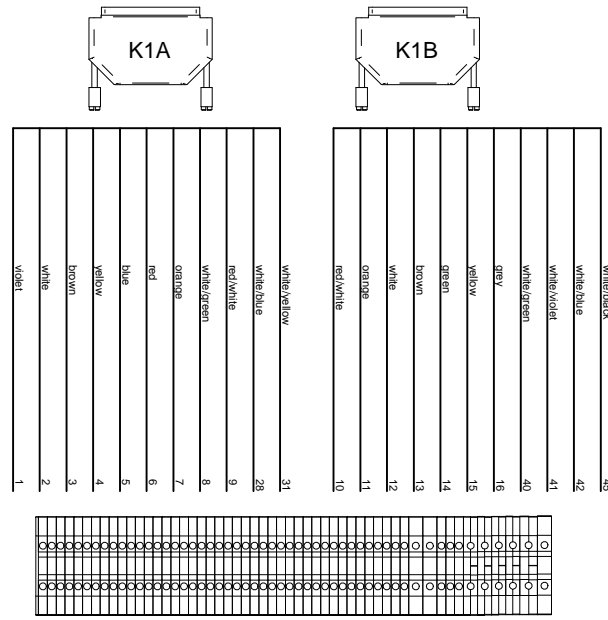
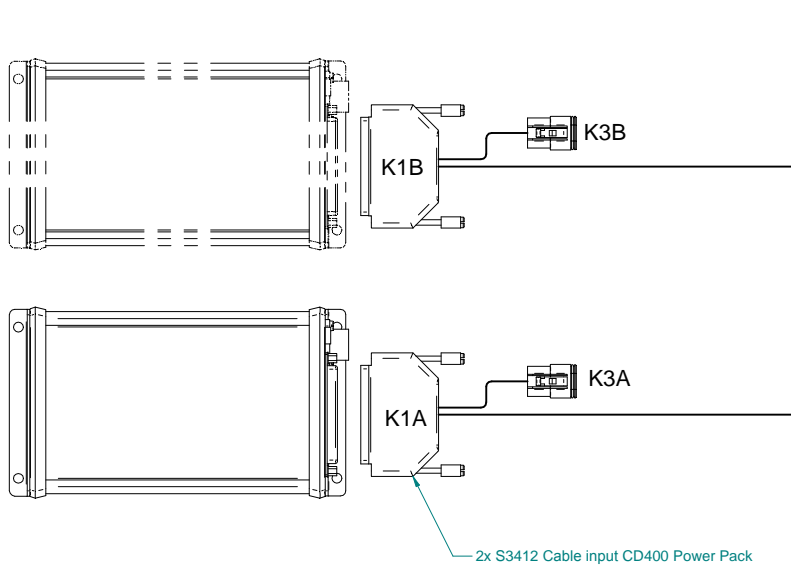
Nr	Art.nr/Item	Designation	Function	Screw	Comment
1	S7688	Robotcabel 2x1,5 Compact	lights left	M16x1,5	Cut length L=3200mm, Length outside cabinet L=2000mm
2	S7688	Robotcabel 2x1,5 Compact	lights right	M16x1,5	Cut length L=3200mm, Length outside cabinet L=2000mm
3	S7688	Robotcabel 2x1,5 Compact	emergencystop	M16x1,5	Cut length L=2500mm, Length outside cabinet L=1500mm
4	S7689	Robotcabel 2x2,5 Compact	+24V to Hatz panel	M16x1,5	Cut length L=1000mm, Length outside cabinet L=400mm
5	S7765	Robotcabel 2x0,5 Compact	fuel sensor	M16x1,5	Cut length L=4200mm, Length outside cabinet L=3000mm
6	S7688	Robotcabel 2x1,5 Compact	road lights front	M16x1,5	Cut length L=600mm, Length outside cabinet L=100mm
7	S7688	Robotcabel 2x1,5 Compact	road lights rear	M16x1,5	Cut length L=600mm, Length outside cabinet L=100mm
8		Existing cable from cooling fan	Cooling fan	PMA0	Existing cable from cooling fan. Cut length L=2000mm. Length outside cabinet L=2000mm.
9	S7594	Cabel incl. contactPVE 3000mm LED	Dump valve	M20x1,5	Length outside cabinet L=2000mm
10	S8572	Amp Junior cabel 3000mm LED (6x)	valve func operation/wheeltilt	M25x1,5	Cut length L=1000mm, Length outside cabinet L=400mm
11	S7543	Robotcabel 18x0,50 Compact	Valve functions clipping/declipping	M20x1,5	Cut length L=1100mm, Length outside cabinet L=600mm
12	S7765	Robotcabel 2x0,5 Compact	horn	M20x1,5	Cut length L=2800mm, Length outside cabinet L=2000mm
13	S7765	Robotcabel 2x0,5 Compact	Rotating warninglight	M16x1,5	Cut length L=2600mm, Length outside cabinet L=2000mm
14	S7765	Robotcabel 2x0,5 Compact	Alarm, moving machine	M16x1,5	Cut length L=2600mm, Length outside cabinet L=2000mm
15	S7153	Robotcabel 30x0,70 Compact	Controlpanel operator	M25x1,5	Cut length L=4100mm, Length outside cabinet L=3500mm
16	S7992 S7774	Cabel RK16 Black 16mm <sup>2</sup> protective hose NW10 13,0	+24V Power from battery disconnecter	PMA0	Cut length L=600mm, Length outside cabinet L=250mm Cut length L=230mm
17	S7992 S7774	Cabel RK16 Black16mm <sup>2</sup> protective hose NW10 13,0	Earthing (-)GND from chassie	PMA0	Cut length L=600mm, Length outside cabinet L=250mm Cut length L=230mm



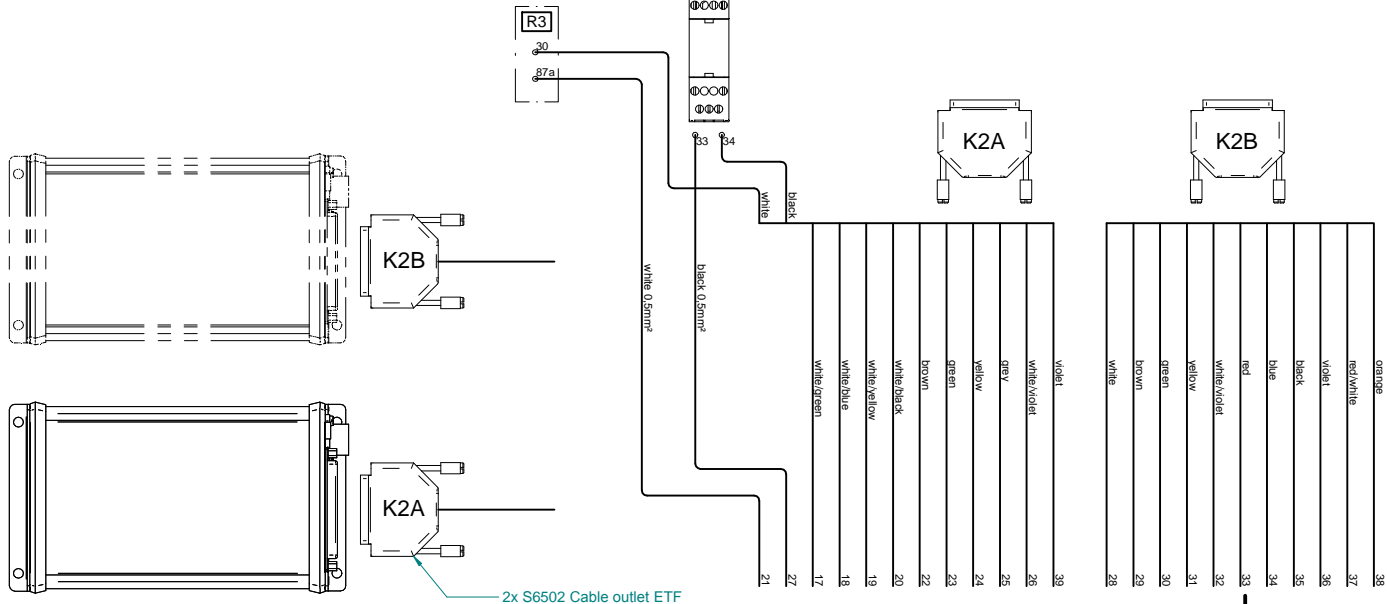




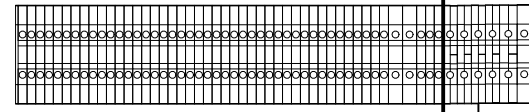




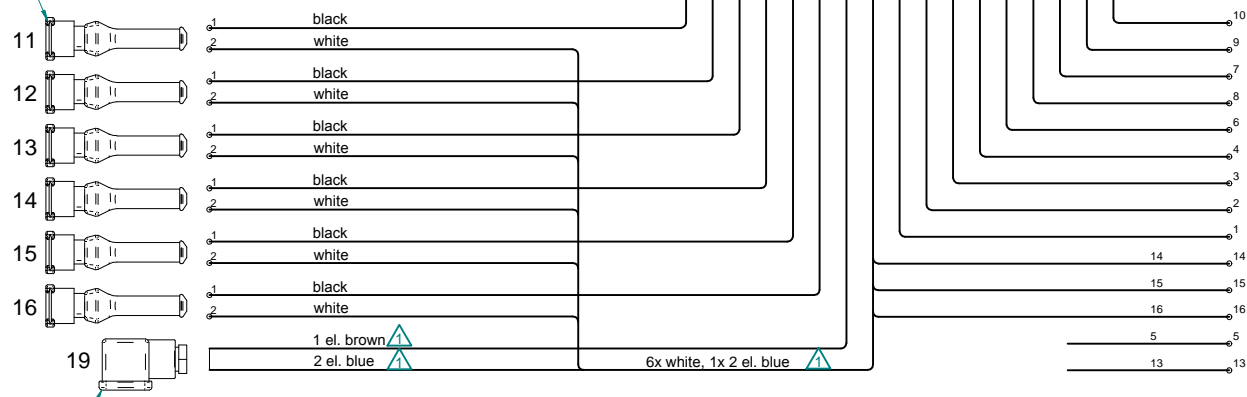
Safety relay  
Säk.relä



2x S6502 Cable outlet ETF

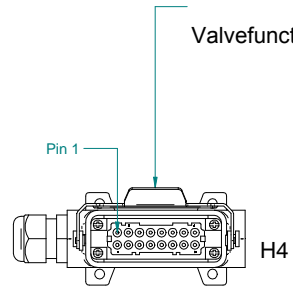


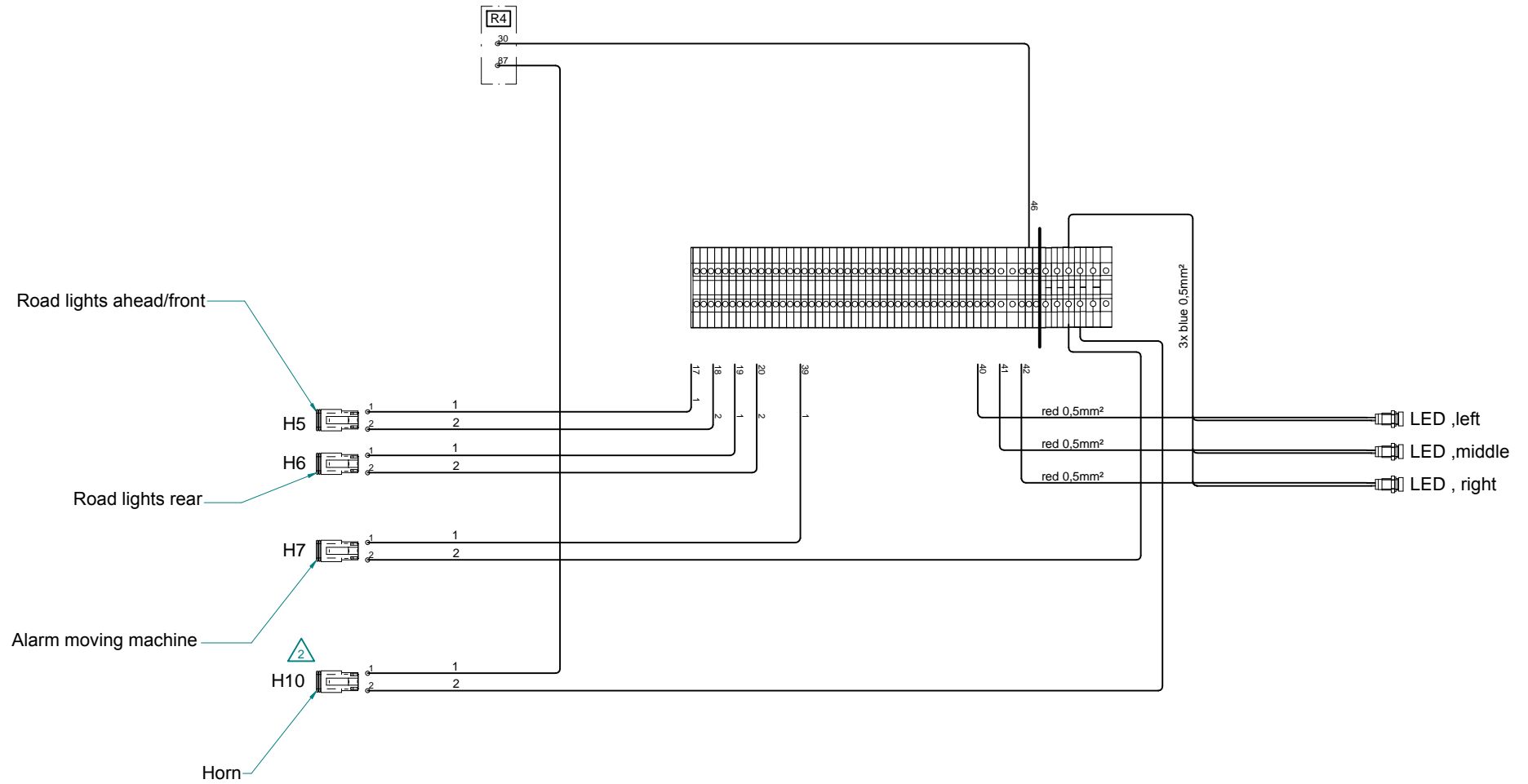
Valvefunctions operation/wheeltilt

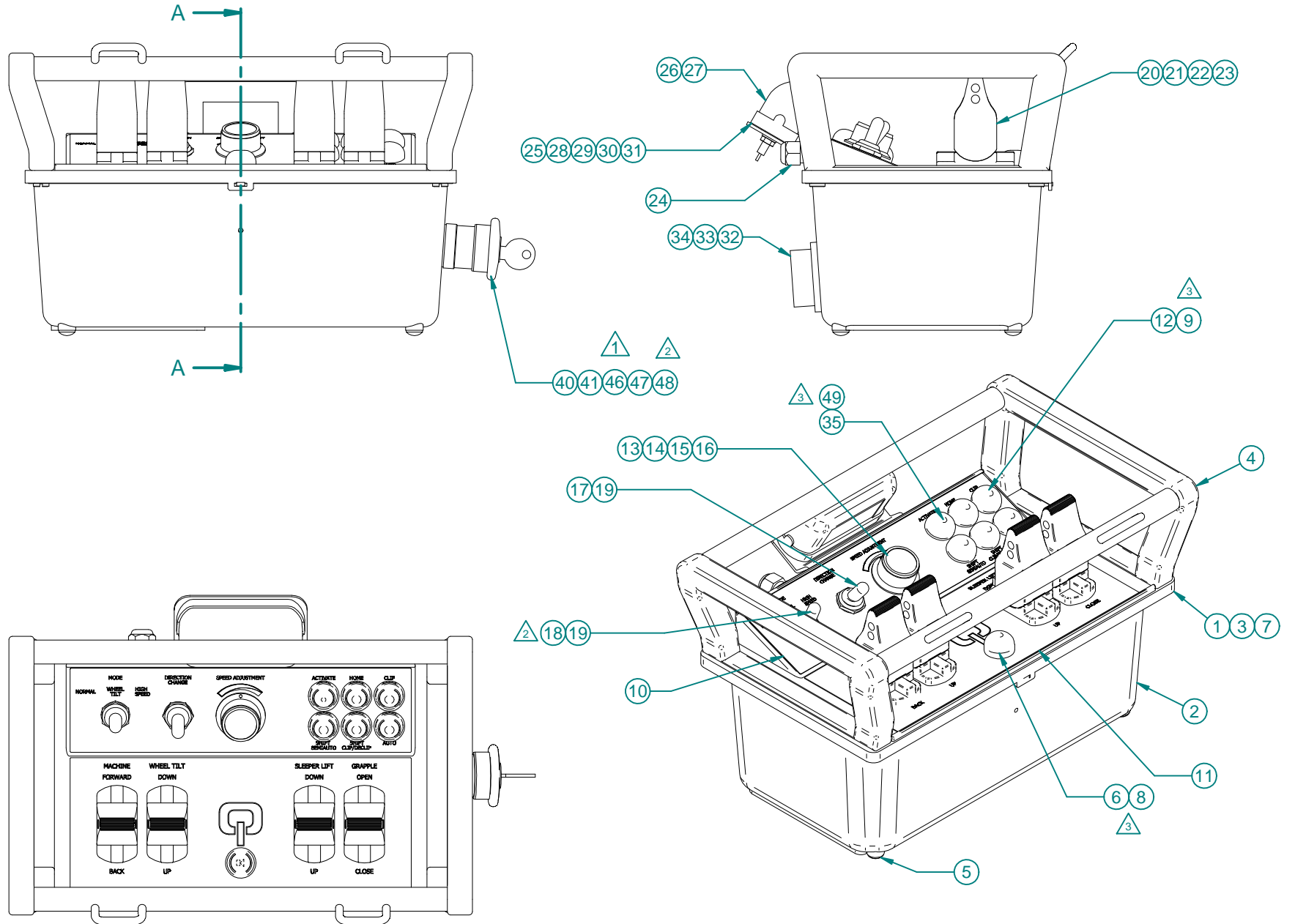


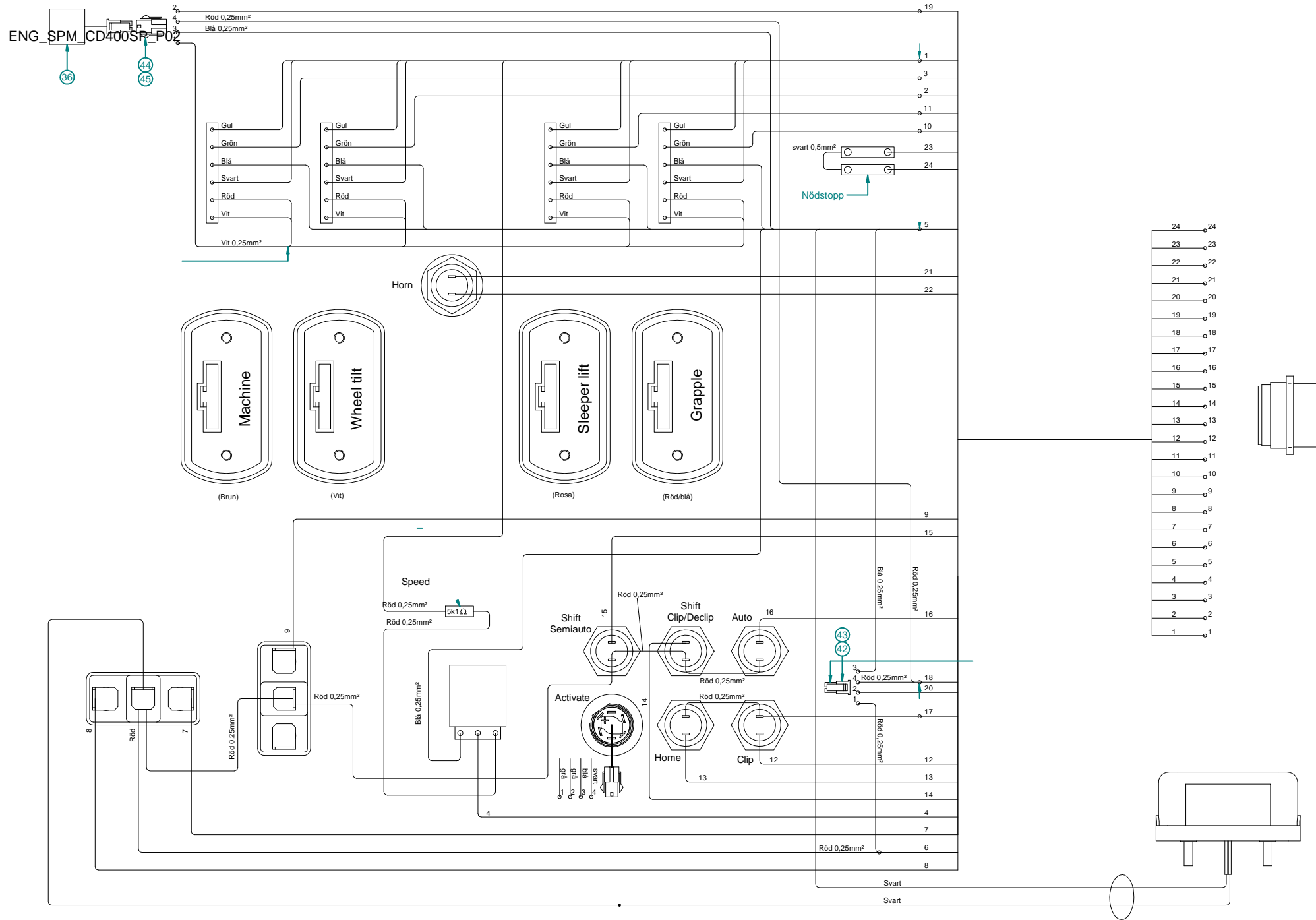
S7592 Cable incl contact 1000mm LED

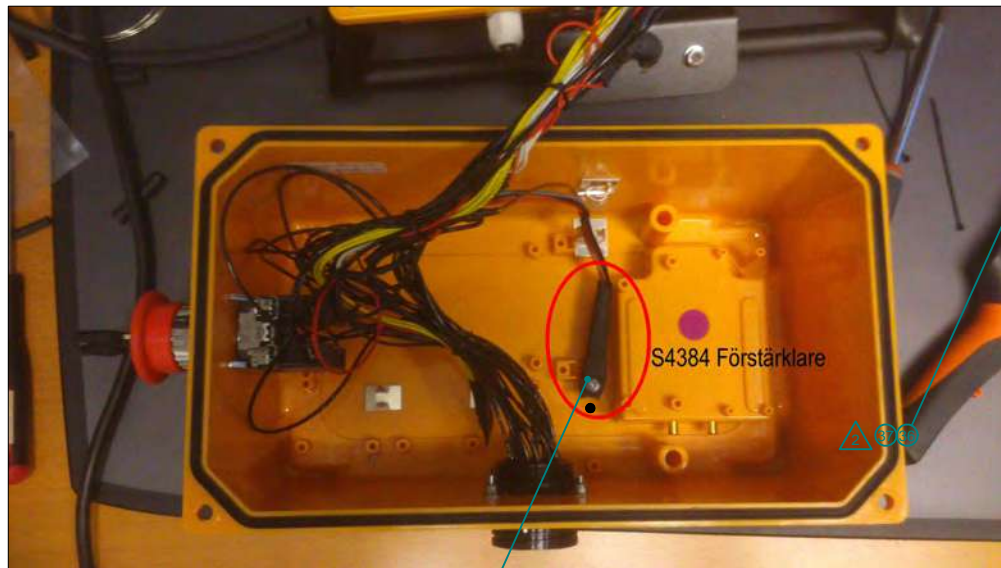
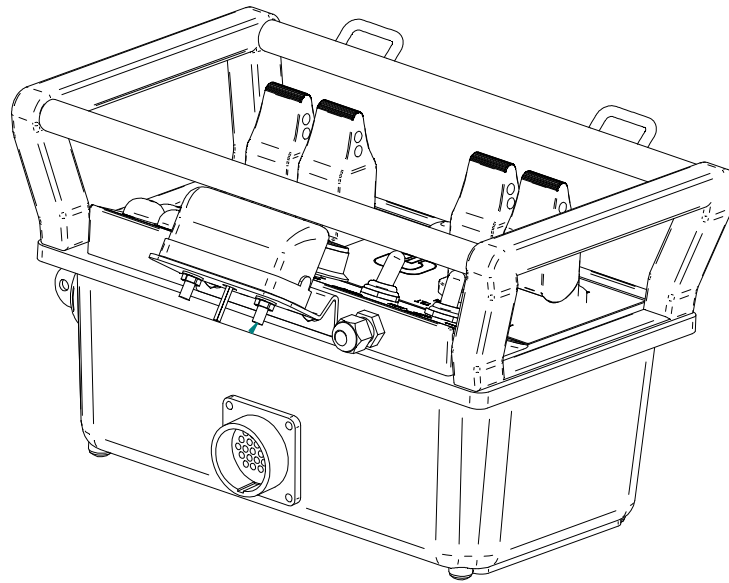
Valvefunctions clipping/decipping











2 37 39

Pos	Art.nr	Benämning	Ant	Anm
1	S5554	Housing upper part GL2	1	Se not 1
2	S8542	Housing lower part GL3 3V yellow	1	
3	S8543	Housing seal to GL3 11192000	1	
4	S8544	Housing protective frame GL black	1	
5	S8545	Housing for GL	4	
6	S9421	Pushbutton P9 high Trumpet	1	
7	S8609	Screw M6x16, 62910060160	4	
8	S9425	Rubbercover high transparentS9421	1	
9	S9422	Rubbercover low black to S7650	5	
10	S5623	CD400 Sign switch English Safe	1	
11	S5414	CD400 sign Joystick English	1	
12	S7650	Pushbutton APEM MOQ	5	
13	S7656	Potentiometer 5k-P67-240°	1	
14		Resistor 5k1 Ohm	1	
15	S7658	Knob36mm for axel 1/4"	1	
16	S7668	Lid to knob S7658	1	
17	S8550	Toggle switch 2-läges 15A	1	
18	S8145	Toggle switches FNR Svetruck	1	
19	S8553	Rubbercover 12mm with washer	2	
20	S7509	Joystick JC120-005-40	4	
21	S7510	Cable to JC120-005-40 300mm	4	
22	S7516	Screw, MRT M3x10	8	
23	S7283	Washer, BRB 3,2x6x0,5	8	
24	S7920-12	Förskruvning Polyamid M12	1	
25,26	S5412	Bracket light CD400 Power Pack	1	
27	S8556	CD400 Light	1	
28		Protective hose		Mont at pos 27
29	S8480	Screw, MC6S M5x16	2	
30	S8476	Washer, BRB 5,3x10x1	4	
31	S8474	Bolt, ML6MM5	2	
32	S7179	Cpc stiftblock 24-pol	1	
33	S7091	CPC Crimpstift 0,75-1,5	22	
34	S7153	Robotcable30x0,75 Compact	500mm	
35	S3730	Push button S8821 with cable	1	
36	S4384	Förstärklare CD400PP safe	1	
37	S8610	Screw control unit CD 400	1	
38	S8547	Waist belt GL with suspension "HETRONICT		
39	S8548	Shoulder belt Nova with suspension	1	
40	S8928	Emergency stop key recovery	1	
41	S8441	Emergency stop 2-pol brytande -block-	1	
42	S7462	Micro-Fit 4-pol hylsdon 2-rad	1	
43	S7469	Micro-Fit hylsa AWG 20-24	4	
44	S7461	Micro-Fit 4-pol stiftdon 2-rad	1	
45	S7470	Micro-Fit stift AWG 20-24	4	
46	S7697	MFX 3X16 A4 SVOX	4	
47	S7375	Washer BRB3,7x7x0,8	8	
48	S8517	Bolt LM6M 3	4	
49	S9424	Rubbercover low transparent to S8821	1	Activate-button