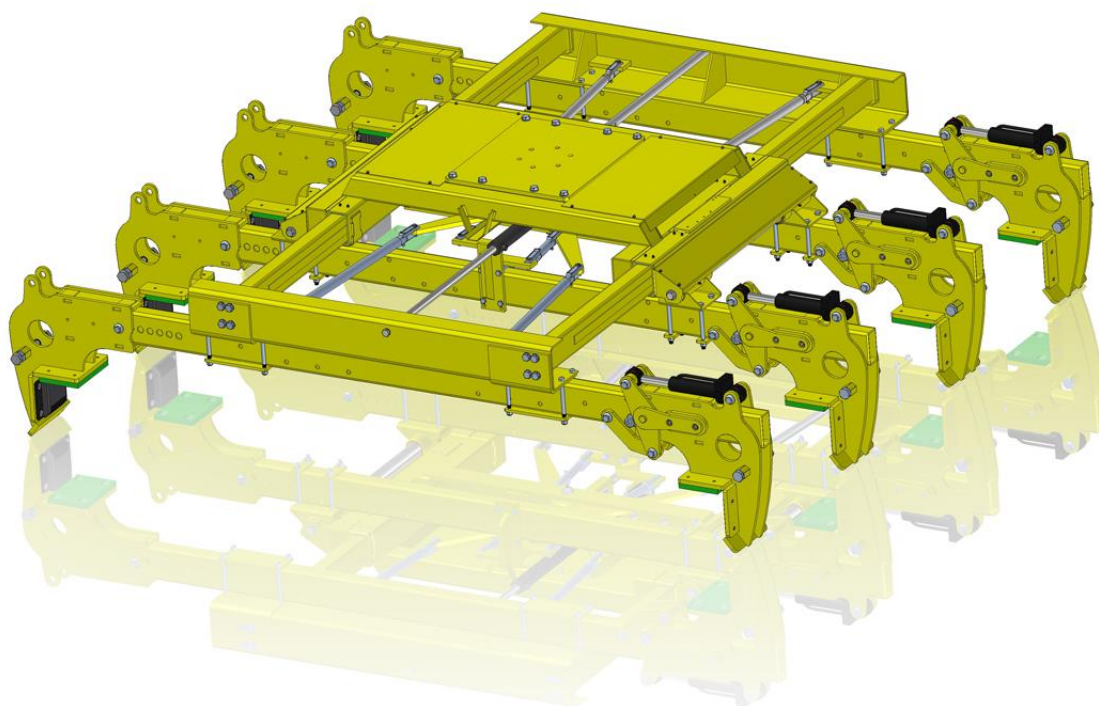


Spare Parts Manual

Sleeper Layer – SL400 & SL450

Issue date: 2014-09-22
Document id: ENG_SPM_SL400_SL450
Revision: P03
Valid from serial no:
SL4-0001
SL45-0003



ROSENQVIST

 PANDROL

© DELACHAUX GROUP

Rosenqvist Rail AB, Skördevägen 3, 824 34 HUDIKSVALL, SWEDEN
Phone +46 (0) 650-165 05 | Fax +46 (0) 650-165 01
www.rosenqvistrail.se | info@rosenqvistrail.se

General

Many of the products from Rosenqvist Rail AB is built under a modular approach. This has been done in order to offer our customers a wide range of high quality products with short delivery times. This spare part manual is made up of drawing modules. The language in the manual is in English. This manual is subject to change without notice.

To order a product or spare part, please contact Rosenqvist Rail AB in any of the following ways:

Address:

Rosenqvist Rail AB
Skördevägen 3
824 34 Hudiksvall

Phone and fax:

Phone : +46 650 165 05
Fax: +46 650 165 01

Internet and e-mail

<http://www.rosenqvistrail.com/>
info@rosenqvistrail.se

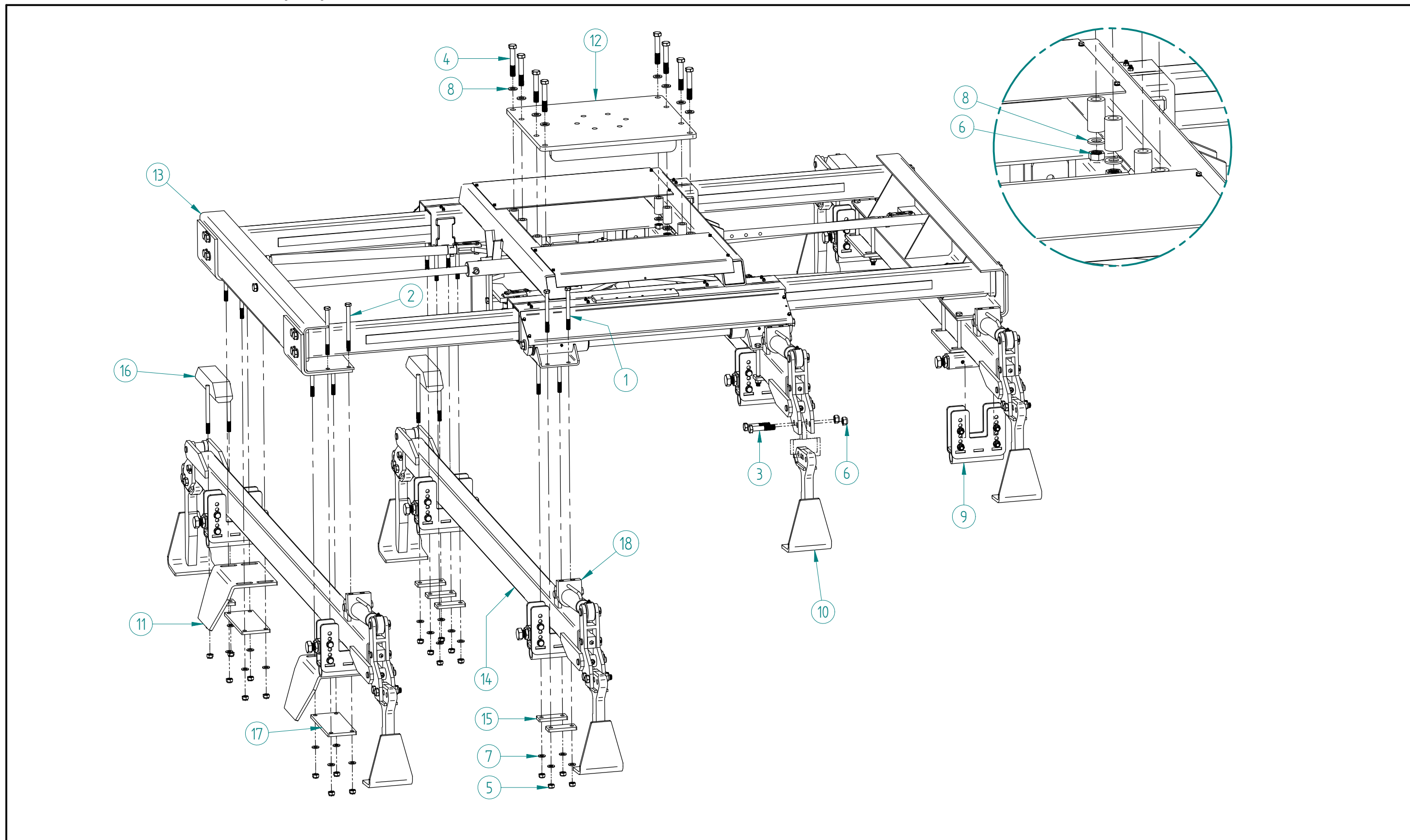
Table of contents

Title	Article No.	Page
SL400	14300001-D	4
SL450	5007750-C	6
Adjustable sleeper spacing	5000014-A	8
Frame components	5007700-A	10
Extension	50362017-C	12
Frame	5007599-A	14
Swing arm, complete	50362046-C	16
Sliding bracket, right	50362005-B	18
Sliding bracket, left	50362049-B	20
Yoke	50362065-C	22
Yoke SL450	5003435-D	24
Grapple foot cylinder SL450	5003454-D	26
Grapple foot SL450	5003437-D	28
Sleeper re-positioner left	5007801-A	30
Sleeper re-positioner right	5007802-A	32
Hydraulics SL400/SL450	5007880-B	34

Item no: **14300001**
Revision: **D**

Title: SL400

Spare part view



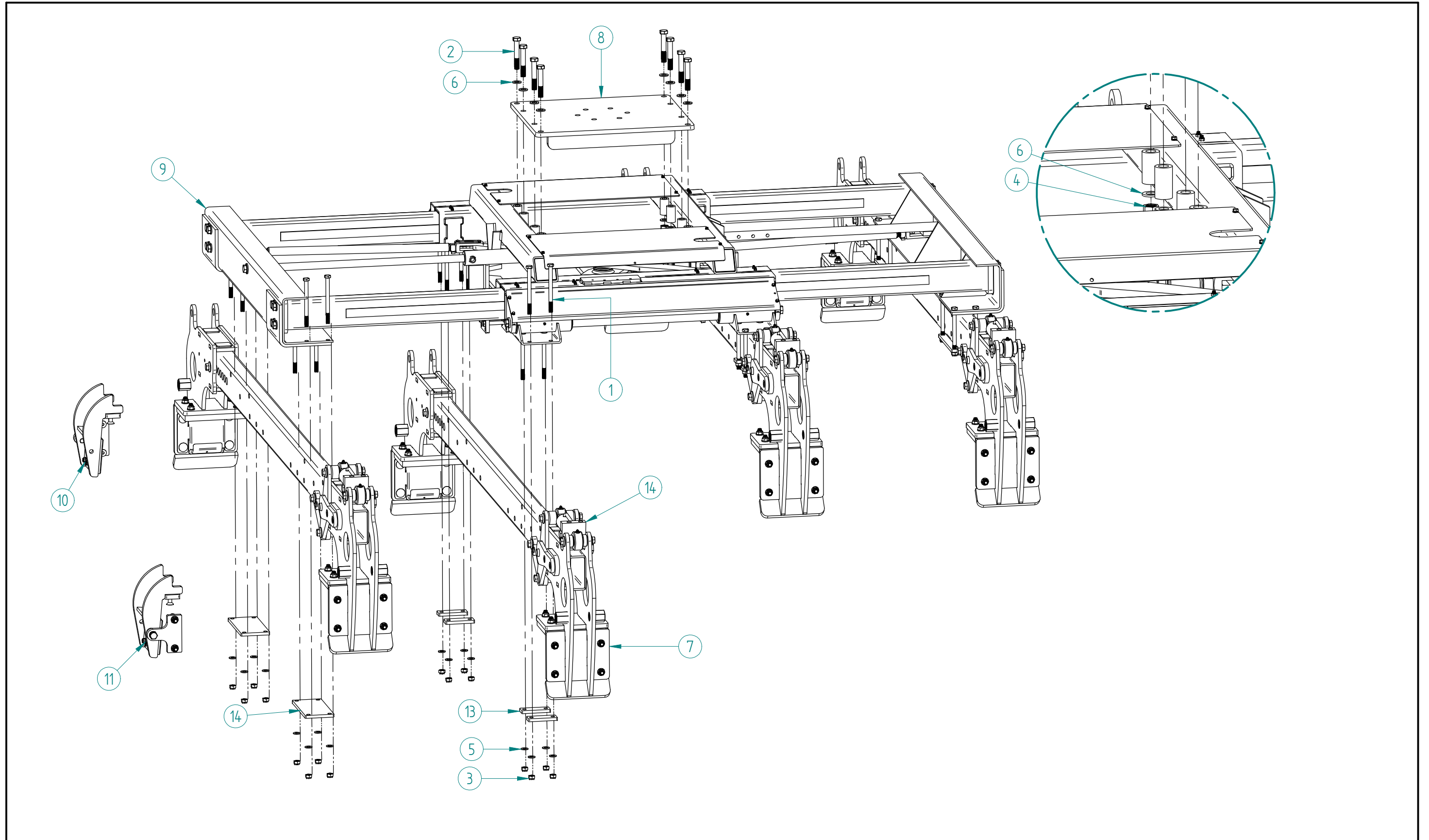
Item no: **14300001**Title: **SL400**Revision: **D**Title: **SL400****Part list**

Pos	Pcs	Title	Description	Item no:
1	16	Screw	M6S 12x140 fzb	103112
2	16	Screw	M6S M12x160 8.8 fzb	103114
3	16	Screw	M6S M16 x80 8.8 fzb	103165
4	8	Screw	M6S-M16 x 100 8.8 fzb	103167
5	40	Locking nut	LM6M fzb M12	130006
6	24	Nut	LM6M M16 fzb	130008
7	40	Washer	BRB M12 fzb	137009
8	16	Washer	BRB M16 fzb	137012
9	8	Adjustable sleeper distance		5000014
10	8	Claw		See variant list
11	4	Sleeper support		5001759
12	1	Attachment bracket		See variant list
13	1	Frame components		5007700
14	4	Yoke		50362065
15	12	Attachment bracket		50362072
16	4	Counterweight		50362073
17	4	Attachment bracket		50362078
18	1	Hydraulics SL400 / 450		5007880

Item no: **5007750**
Revision: **C**

Title: SL450

Spare part view



Item no: **5007750**
 Revision: **C**

Title: **SL450**
 Title: **SL450**

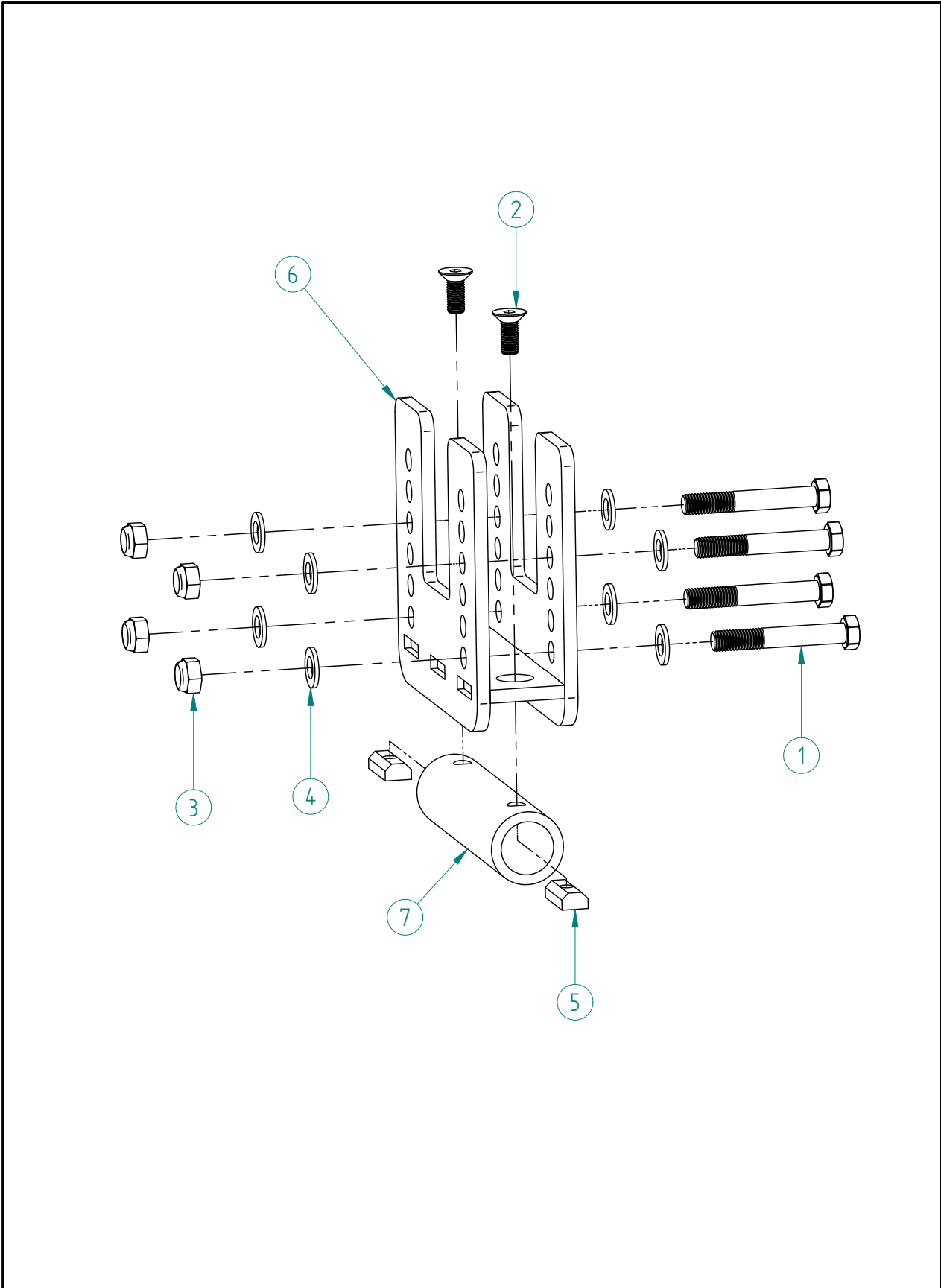
Part list

Pos	Pcs	Title	Description	Item no:
1	32	Screw	M6S M12x160 8.8 fzb	103114
2	8	Screw	M6S-M16 x 100 8.8 fzb	103167
3	32	Locking nut	LM6M fzb M12	130006
4	8	Nut	LM6M M16 fzb	130008
5	32	Washer	BRB M12 fzb	137009
6	16	Washer	BRB M16 fzb	137012
7	4	Lift yoke HD	Smst	5003435
8	1	Attachment plate	Smst	5006940
9	1	Frame components	Smst	5007700
10	1	Sleeper re-positioner left	Smst	5007801
11	1	Sleeper re-positioner right	Smst	5007802
12*	1	Hydraulics SL400 / 450	Smst	5007880
13	8	Attachment bracket	S355J2H	50362072
14	4	Attachment bracket	S355J2H	50362078

Item no: **5000014**
Revision: **A**

Title: **Justerbar sliper dist komp**

Spare part view



Item no: **5000014**
Revision: **A**

Title: Justerbar sliper dist komp
Title: Adjustable sleeper spacing

Part list

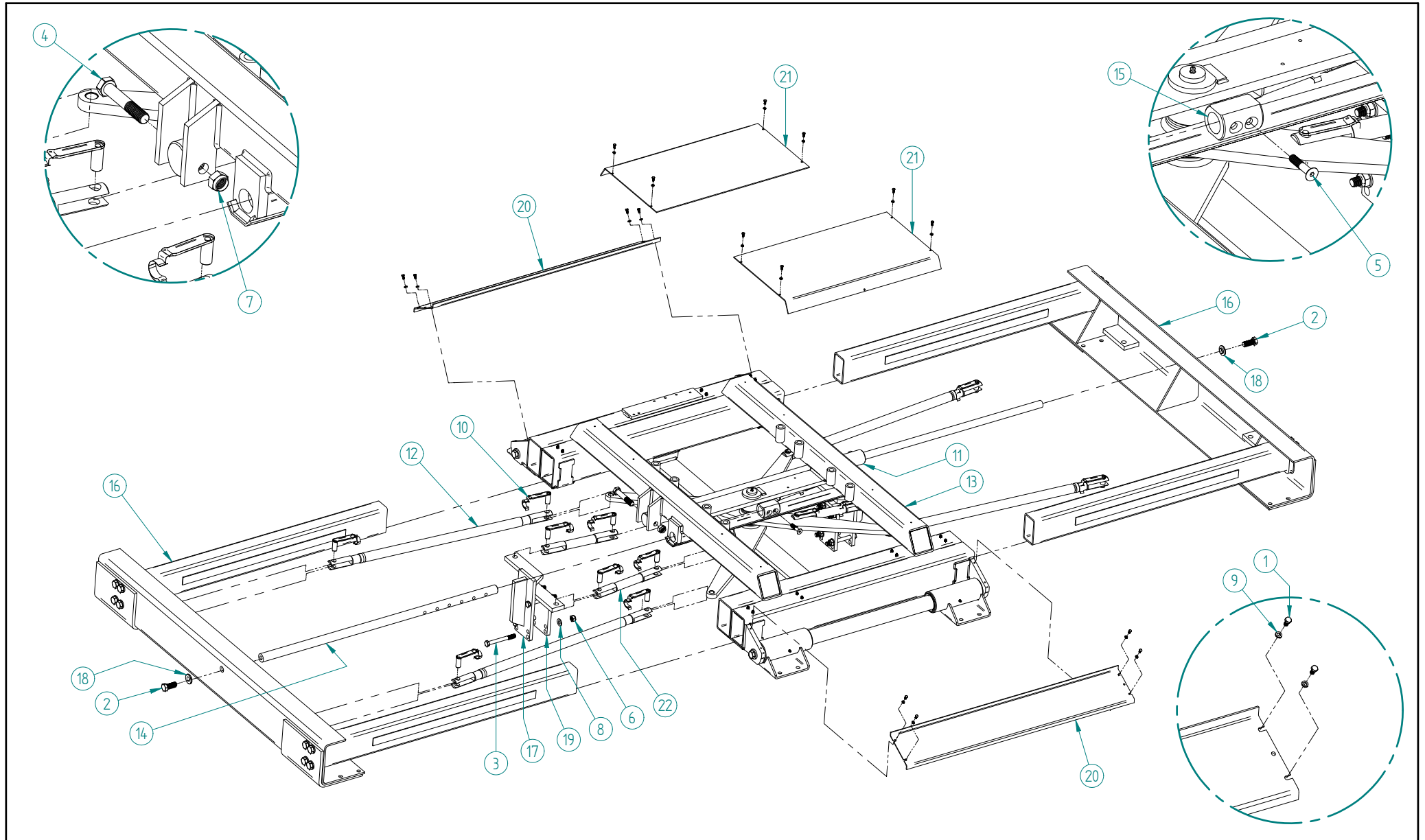
Pos	Pcs	Title	Description	Item no:
1	4	Screw	M6S M12x80 fzb	103106
2	2	Screw	MF6SH M10x25 fzb	122068
3	4	Locking nut	LM6M fzb M12	130006
4	8	Washer	BRB M12	137009
5	2	Nut unit		5000009
6	1	Frame sleeper distance		5000012
7	1	Hose		5000013

Item no: **5007700**

Title: Montering ram komponenter

Revision: **A**

Spare part view



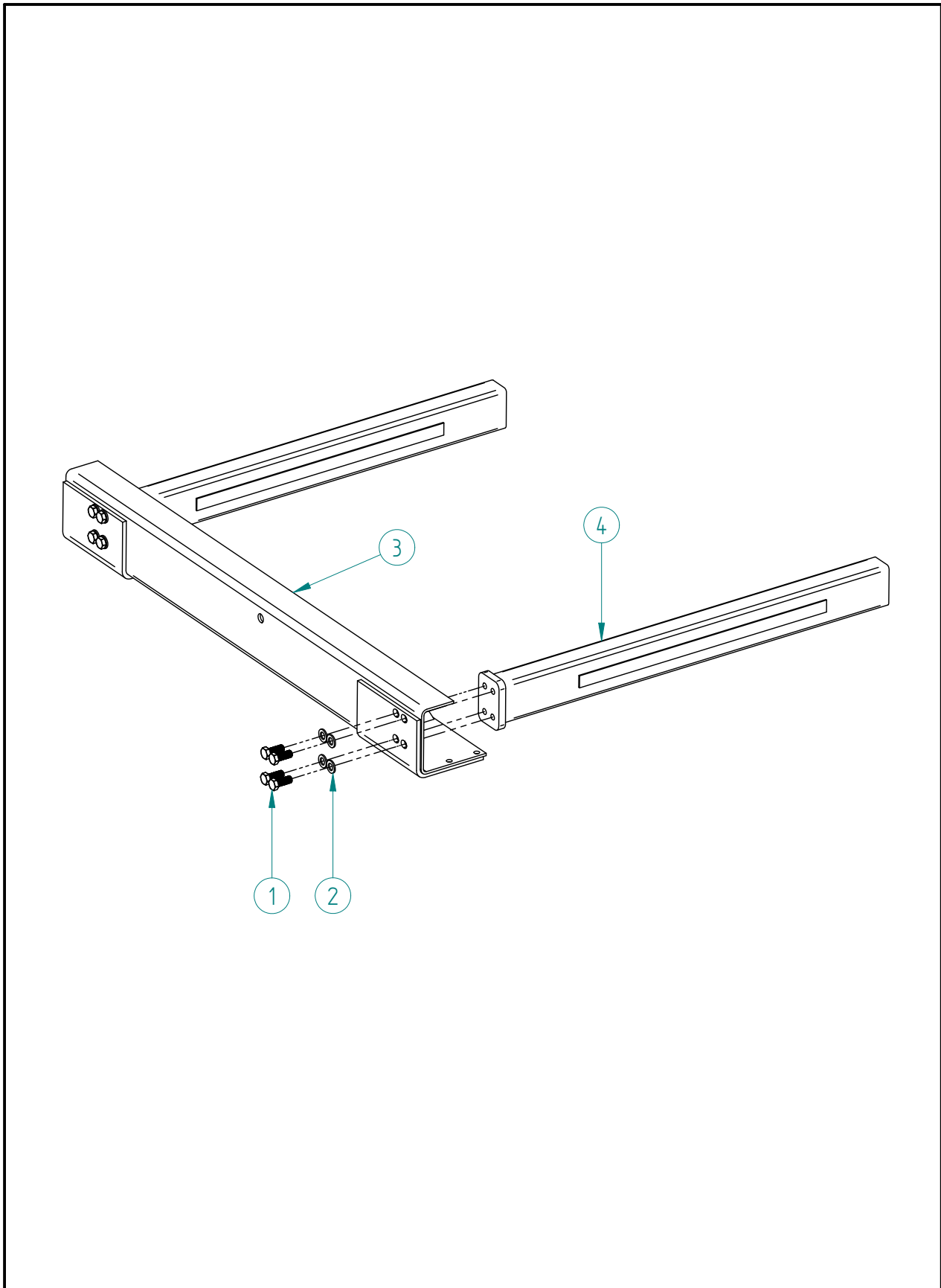
Item no: **5007700**Title: **Montering ram komponenter**Revision: **A**Title: **Frame components****Part list**

Pos	Pcs	Title	Description	Item no:
1	16	Screw	M6S 5x10 8.8 fzb	102015
2	2	Screw	M6S M16x40 8.8 fzb	102152
3	8	Screw	M6S m12 x100 8.8 fzb	103109
4	1	Screw	M6S-M16x90 8.8 fzb	103166
5	1	Screw	MF6S M10 x 50 fzb	122073
6	8	Locking nut	LM6M fzb M12	130006
7	1	Nut	LM6M fzb M16	130008
8	8	Washer	BRB M12 fzb	137009
9	16	Nordlock NL M5	NL 5	142002
10	16	ES bolt	ES 16x64	157414
11	1	Cylinder	40 x 25 x 750	200015
12	4	Adjustable rod		5001758
13	1	Frame		5007599
14	1	Axle		50362006
15	1	Socket		50362009
16	2	Extension		50362017
17	2	Link bracket		50362019
18	2	Socket		50362050
19	2	Attachment plate		50362053
20	2	Cover plate		50362060
21	2	Cover plate		50362061
22	4	Rod		50362068

Item no: **50362017**
Revision: **C**

Title: Utskjut

Spare part view



Item no: **50362017**
Revision: **C**

Title: **Utskjut**
Title: **Extension**

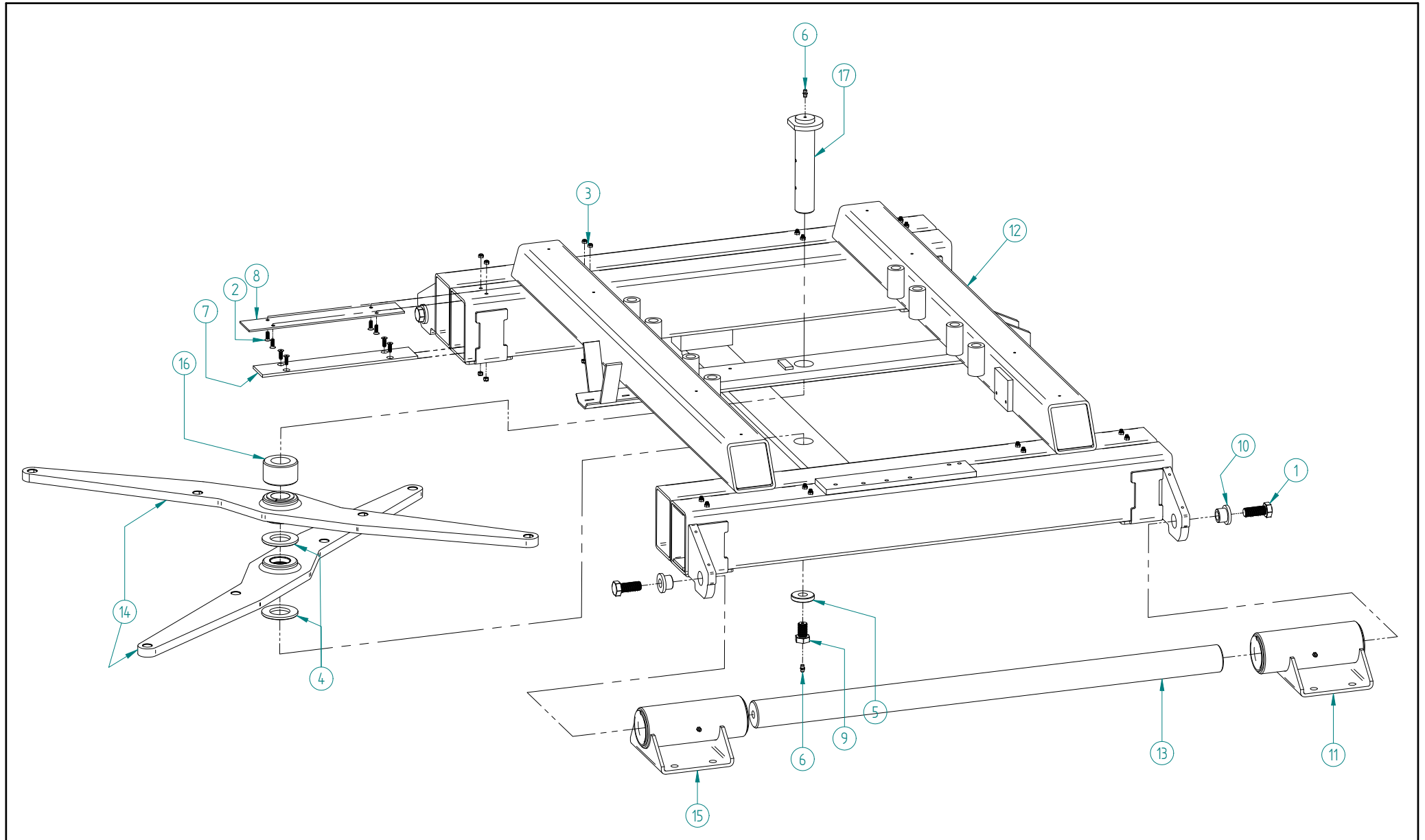
Part list

Pos	Pcs	Title	Description	Item no:
1	8	Screw	M6S M16x40 8.8 fzb	102152
2	8	Washer	BRB M16 fzb	137012
3	1	Console		50362015
4	2	Beam		50362024

Item no: **5007599**
Revision: **A**

Title: Ram

Spare part view



Item no: **5007599**
 Revision: **A**

Title: **Ram**
 Title: **Frame**

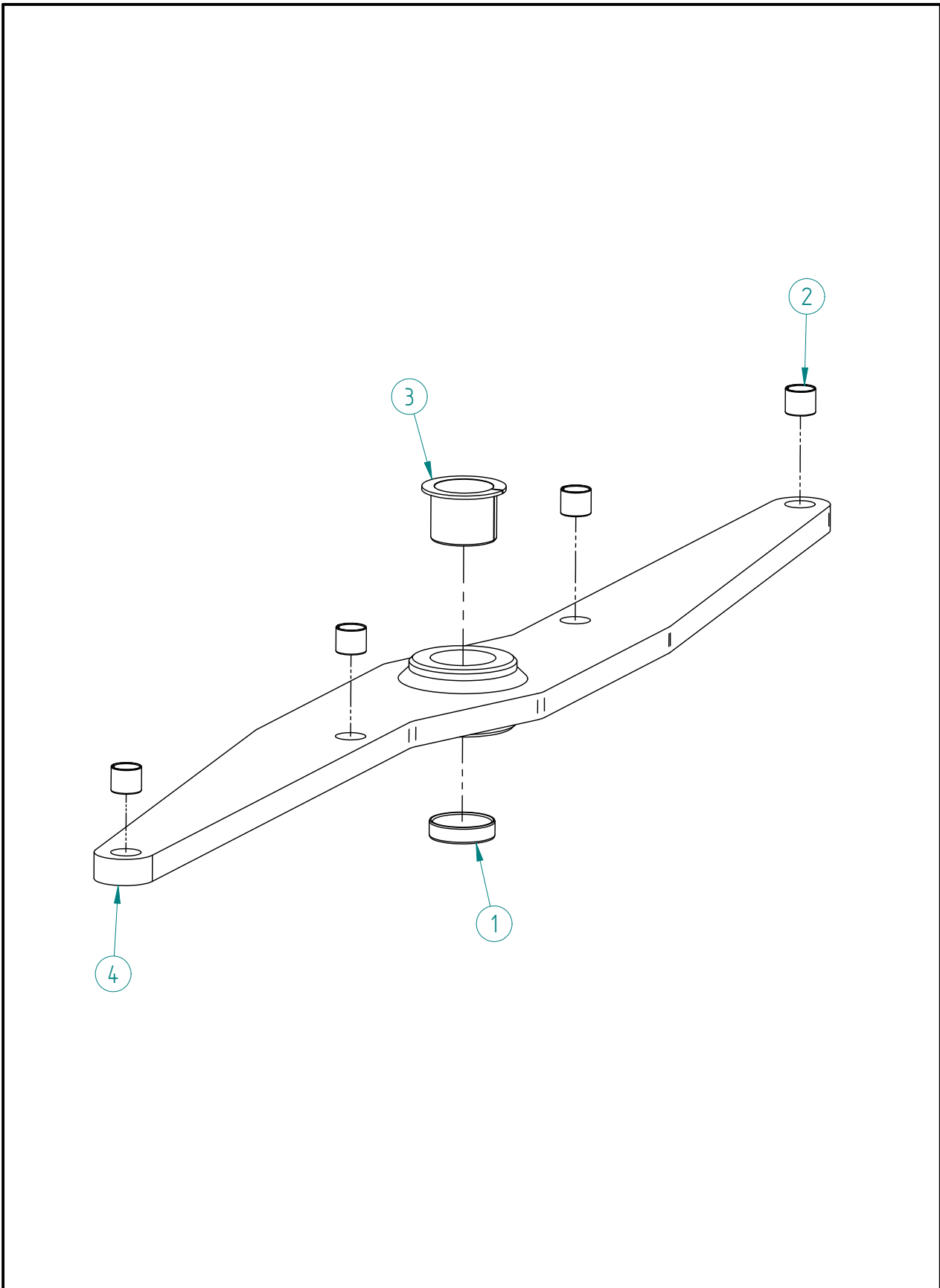
Part list

Pos	Pcs	Title	Description	Item no:
1	4	Screw	M6S M16x40 8.8 fzb	102152
2	32	Screw	MF6S 5x16 10,9 fzb	122022
3	32	Locking nut	LM6M M5 fzb	130001
4	2	Washer	37 x 68 x 5 fzb	139581
5	1	Washer	17 x 42 x 8 fzb	139707
6	2	Grease nipple	M6 rak	157300
7	4	Friction plate		5036-2063
8	4	Friction plate		5036-2064
9	1	Locking bolt		50362003
10	4	Socket		50362004
11	2	Friction bracket, right		50362005
12	1	Frame		50362014
13	2	Axle		50362043
14	2	Sw ing arm, complete		50362046
15	2	Friction bracket, left		50362049
16	1	Spacer		50362056
17	1	Pin		50362085

Item no: **50362046**
Revision: **C**

Title: Svängarm, komplett

Spare part view



Item no: **50362046**
Revision: **C**

Title: **Svängarm, komplett**
Title: **Swinging arm, complete**

Part list

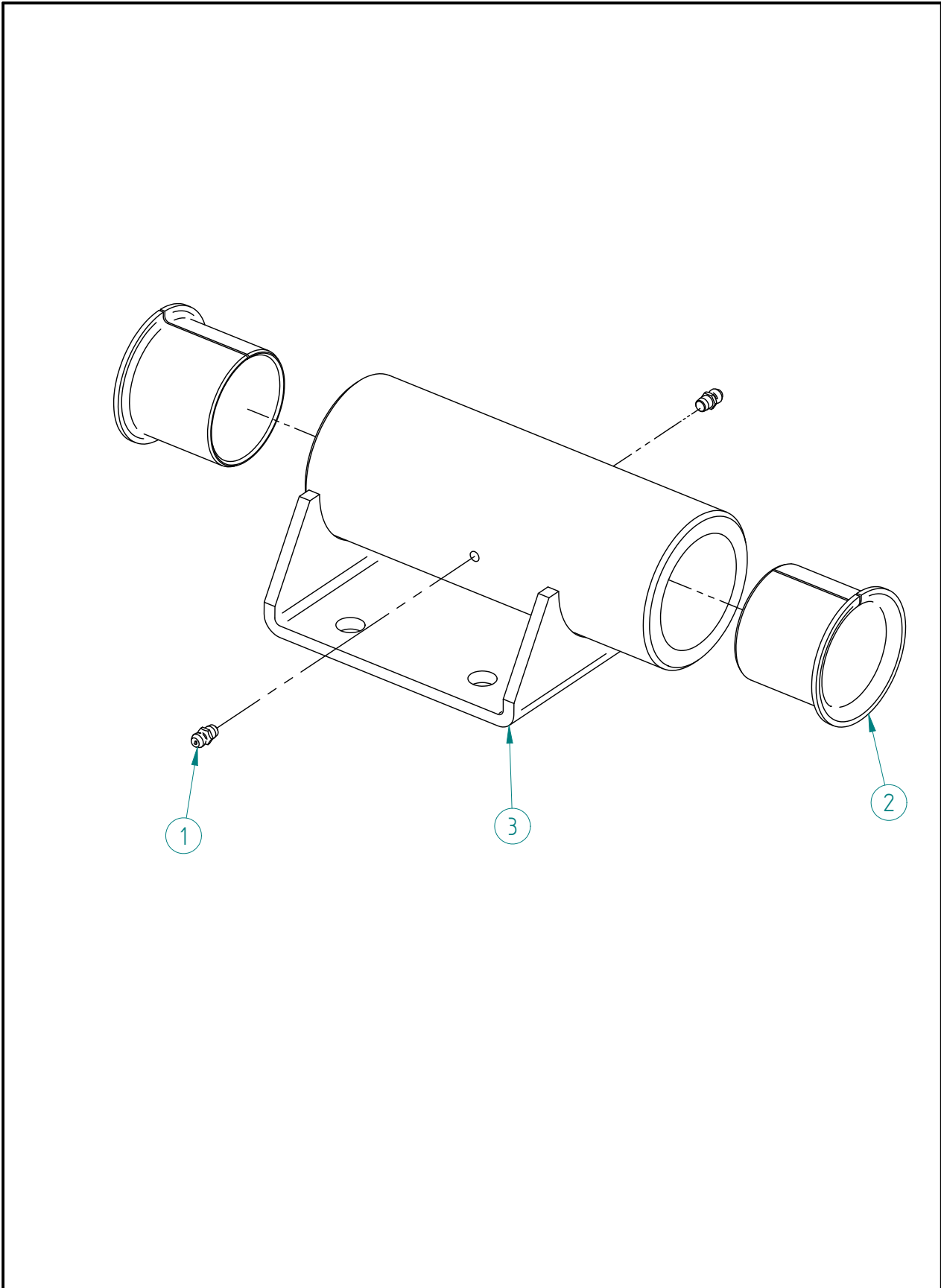
Pos	Pcs	Title	Description	Item no:
1	1	Plain bearing	PBT 35x39x10	410003
2	4	Plain bearing	WB700 16 18 15	410007
3	1	Flange plain bearing	PBT 35/39/50x32	411002
4	1	Swing arm		5007598

Item no: **50362005**

Title: **Glidfäste, höger**

Revision: **B**

Spare part view



Item no: **50362005**
Revision: **B**

Title: **Glidfäste, höger**
Title: **Sliding bracket, right**

Part list

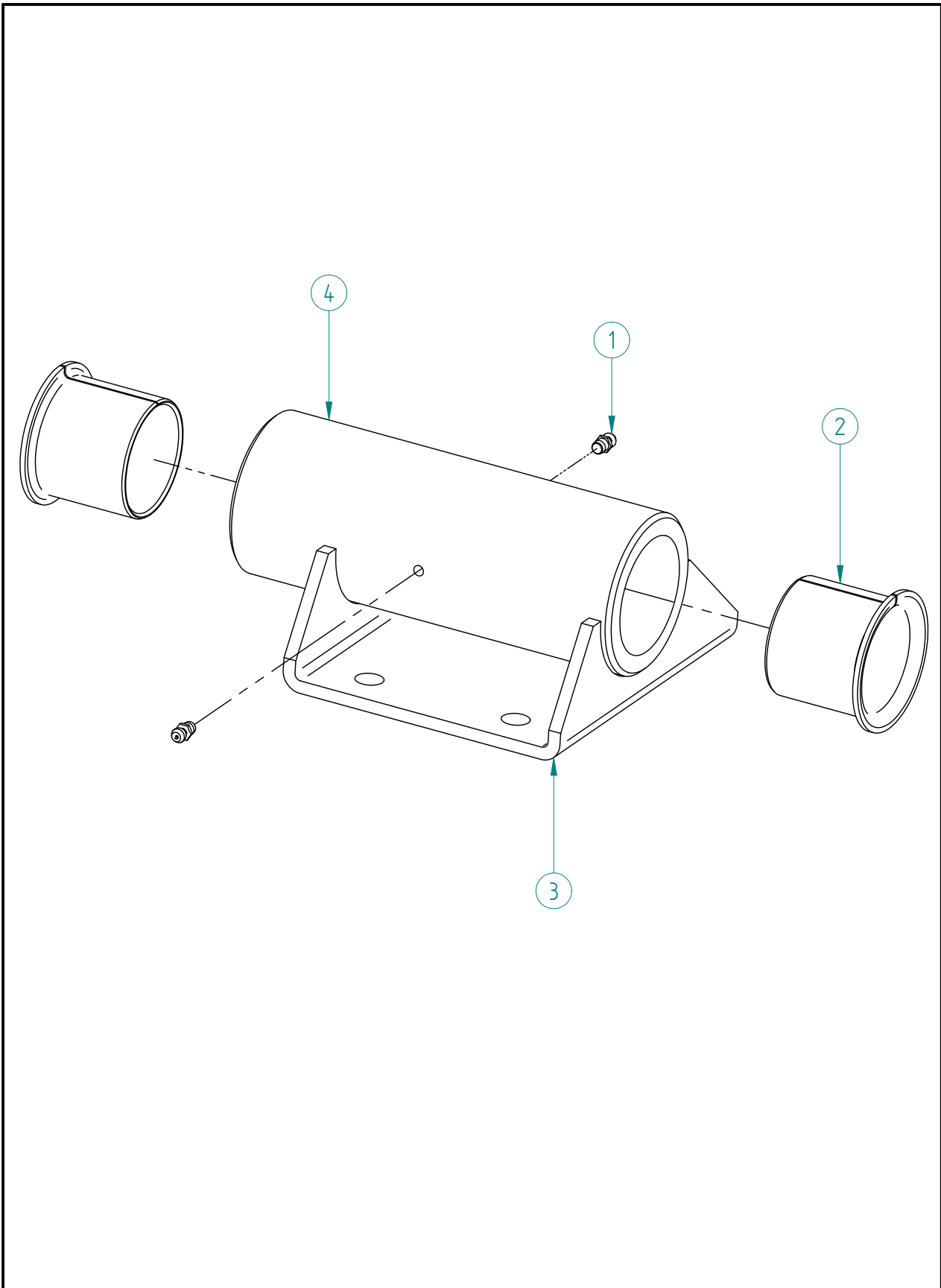
Pos	Pcs	Title	Description	Item no:
1	2	Grease nipple	M6 rak	157300
2	2	Plain bearing	50 X 55 / 65 X 50	411003
3	1	Plain bracket		50362005

Item no: **50362049**

Title: **Glidfäste, vänster**

Revision: **B**

Spare part view



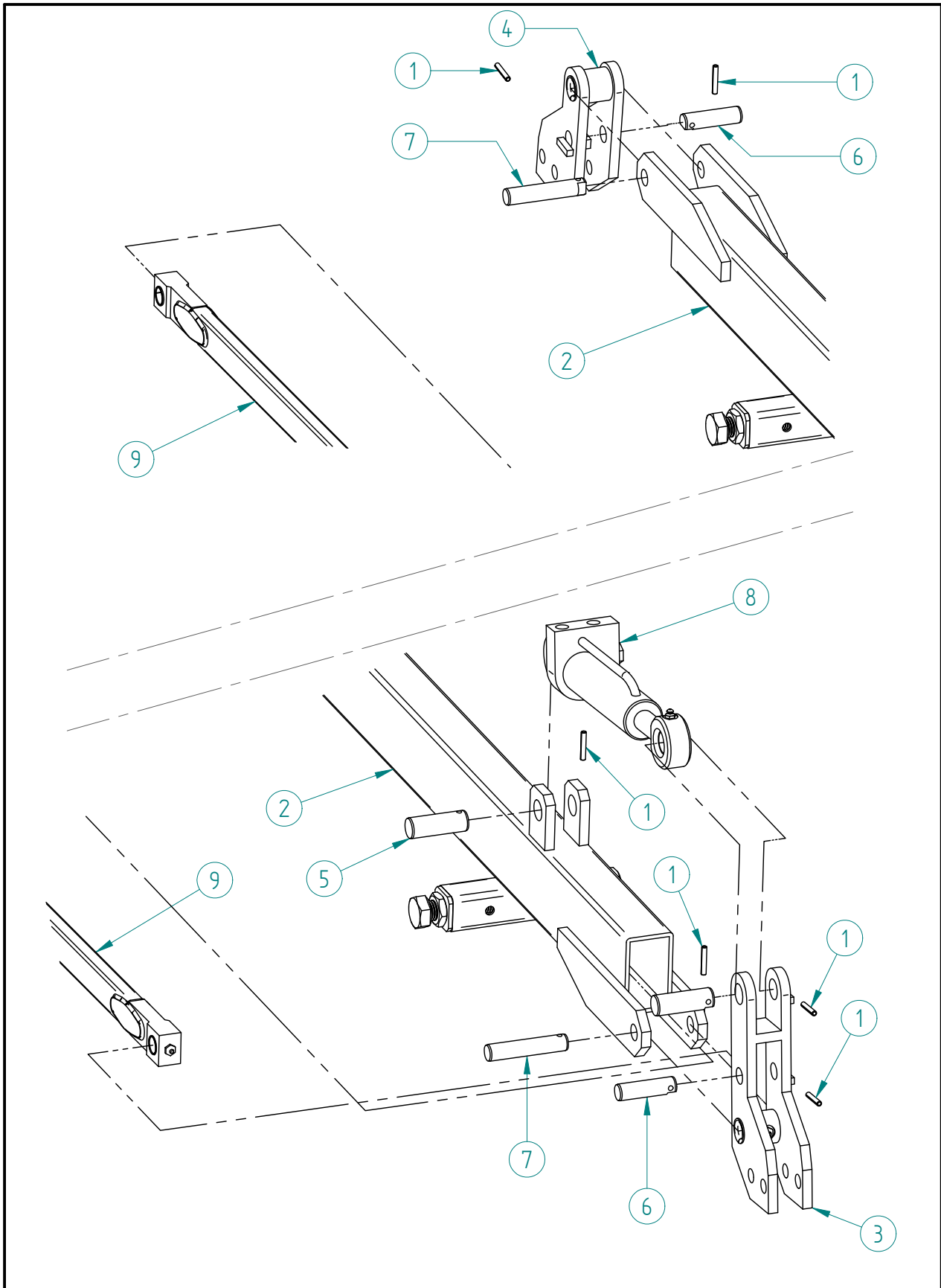
Item no: **50362049**Title: **Glidfäste, vänster**Revision: **B**Title: **Sliding bracket, left****Part list**

Pos	Antal	Artikel	Beskrivning	Artikelnr.
1	2	Grease nipple	M6 rak	157300
2	2	Plain bearing	50 X 55 / 65 X 50	411003
3	1	Plain bracket		50362049

Item no: **50362065**
Revision: **C**

Title: **Ok**

Spare part view



Item no: **50362065**
Revision: **C**

Title: **Ok**
Title: **Yoke**

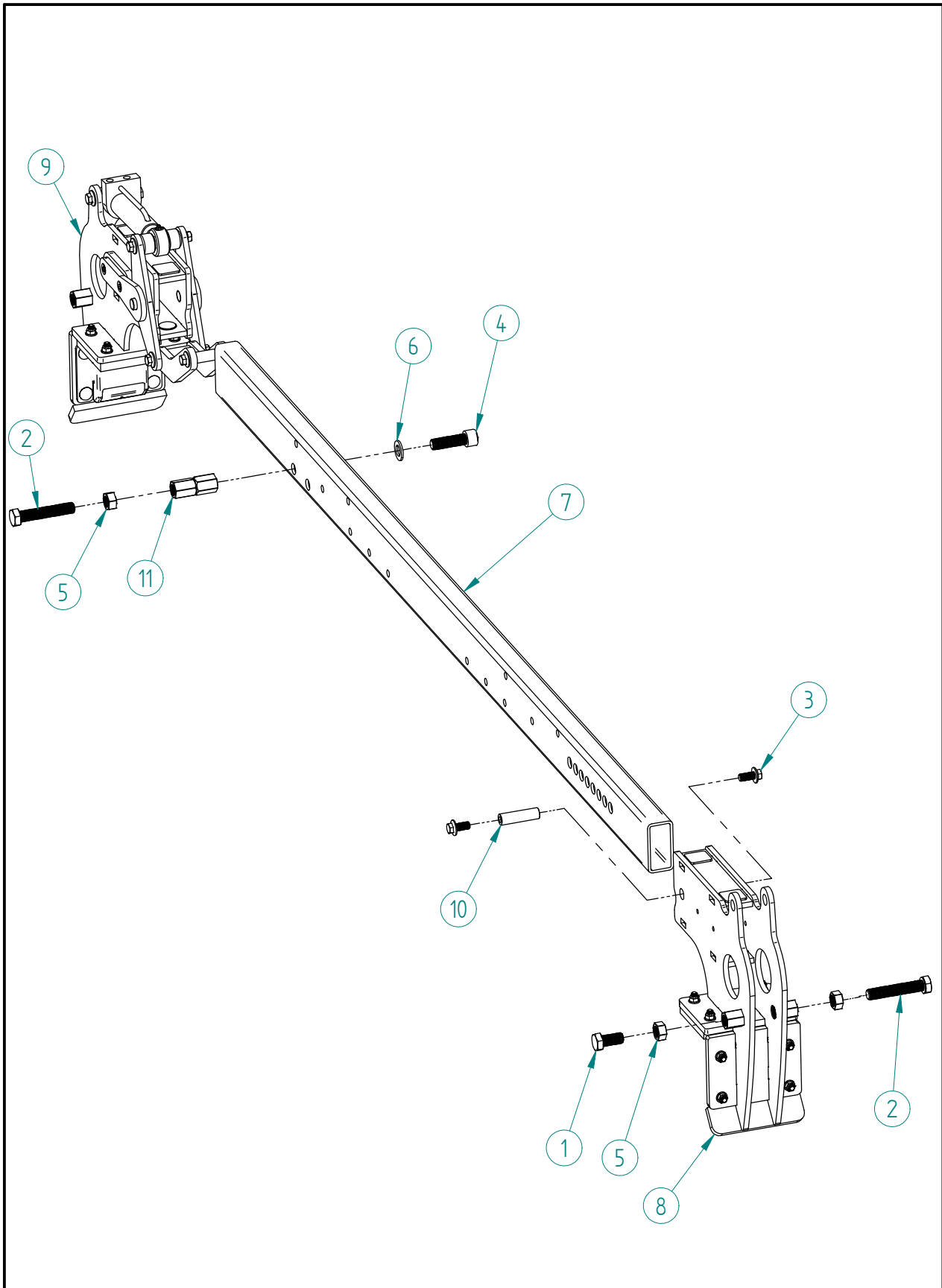
Part list

Pos	Pcs	Title	Description	Item no:
1	6	Spring pin	6x35	147142
2	1	Yoke frame		30330511
3	1	Lifting arm right		3035 0004
4	1	Lifting arm left		3035 0006
5	2	Axle		4031 0019
6	2	Axle		40310017
7	2	Axle		40310018
8	1	Hydraulic cylinder 40/25-100		5006090
9	1	Parallel rod		5007350

Item no: **5003435**
Revision: **D**

Title: Lyftok HD

Spare part view



Item no: **5003435**

Title: Lyftok HD

Revision: **D**

Title: Lifting beam std. Gauge

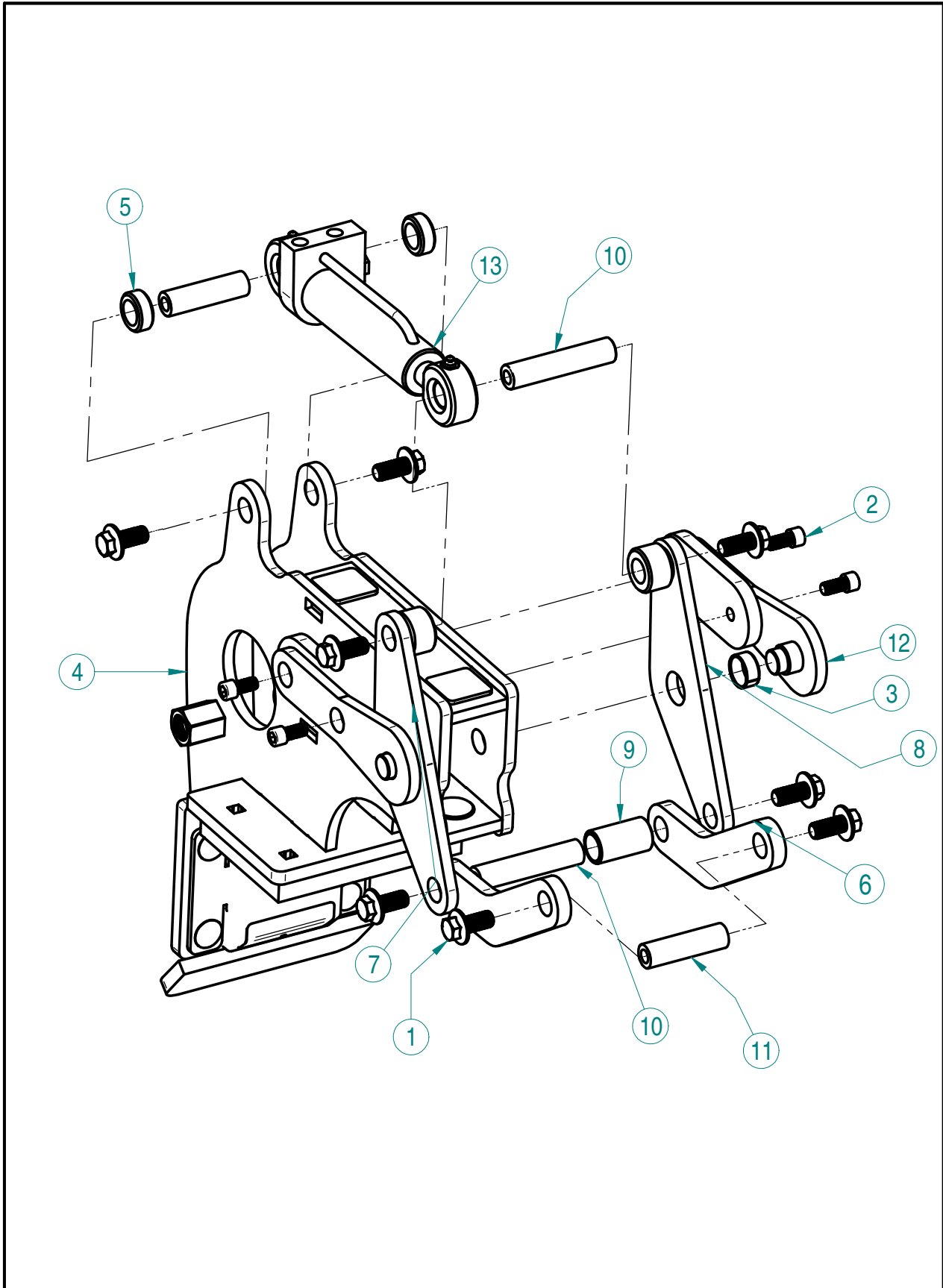
Part list

Pos	Pcs	Title	Description	Item no:
1	1	Bolt	M6S M24 x 50 8.8 Fzb	102232
2	2	Bolt	M6SH M24x130	102243
3	2	Bolt	M6SF M16 x 35 8.8 Fzb	109126
4	1	Bolt	MC6S M24x80 8.8 Fzb	114199
5	3	Nut	M6M M24 8.8 Fzb	126012
6	1	Washer	BRB M24	137017
7	1	Lifting beam		5003436
8	1	Gripping part		5003437
9	1	Gripping part incl. Cylinder		5003454
10	1	Axle		5003615
11	1	Mechanical stop		5007501

Item no: **5003454**
Revision: **D**

Title: Gripdel inkl.cylinder komp.

Spare part view



Item no: **5003454**
 Revision: **D**

Title: **Gripdel inkl.cylinder komp.**
 Title: **_Grapple foot cylinder**

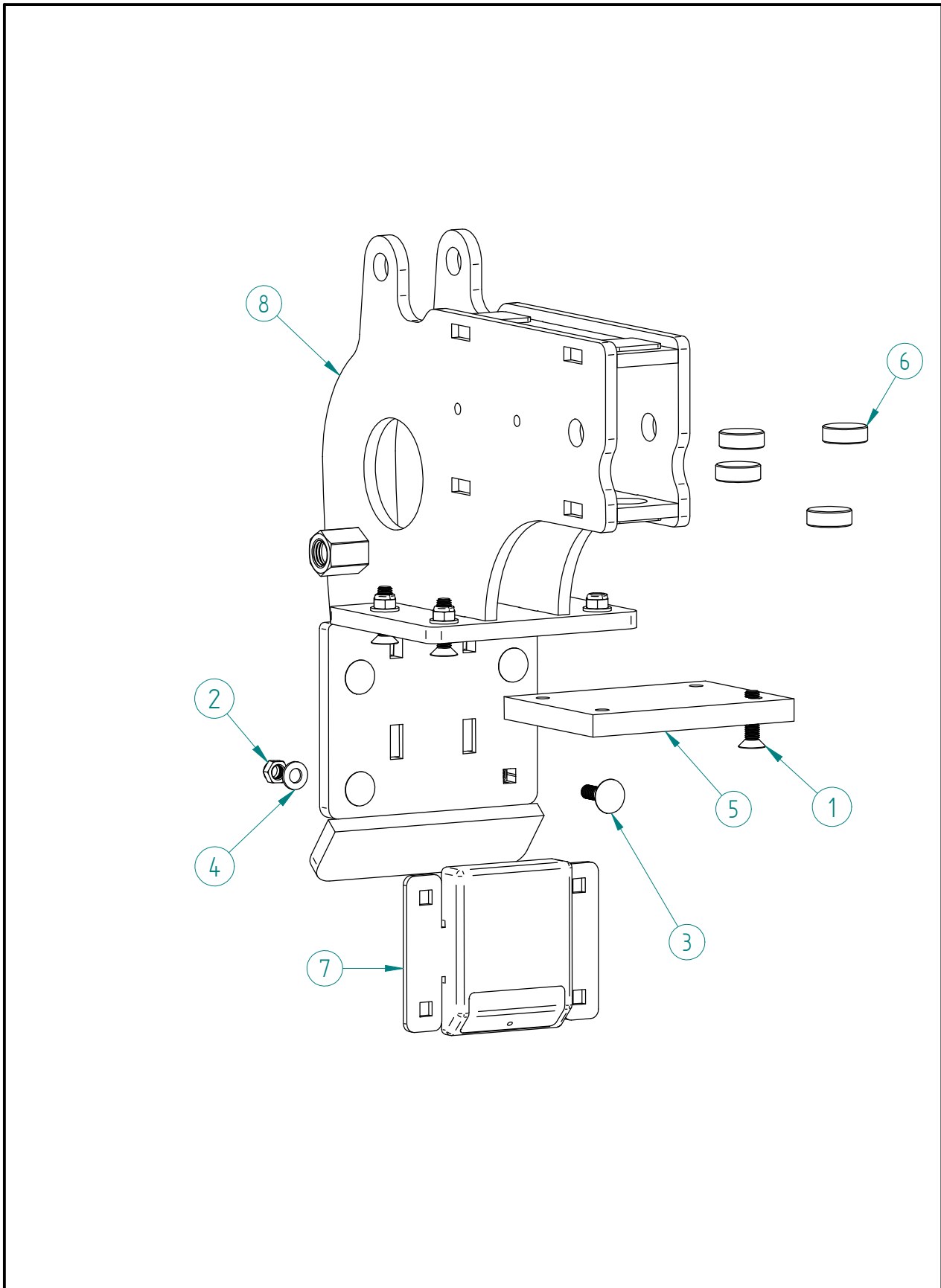
Part list

Pos	Pcs	Title	Description	Item no:
1	8	Bolt	M6SF M16 x 35 8.8 Fzb	109126
2	4	Bolt	MC6S-M12x25 8.8 Fzb	113066
3	2	Slide bearing	WB700 30-34 x15	410039
4	1	Gripdel fast komp		5003437
5	2	Spacer		5003448
6	2	Link		5003449
7	1	Link right		5003457
8	1	Link left		5003458
9	1	Spacer		5003459
10	2	Shaft		5003614
11	2	Shaft		5003615
12	2	Pin		5003856
13	1	Hydraulic cylinder 40/25-100		5006090

Item no: **5003437**
Revision: **D**

Title: Gripdel fast komp

Spare part view



Item no: **5003437**

Title: Gripdel fast komp

Revision: **D**

Title: Grapple foot

Part list

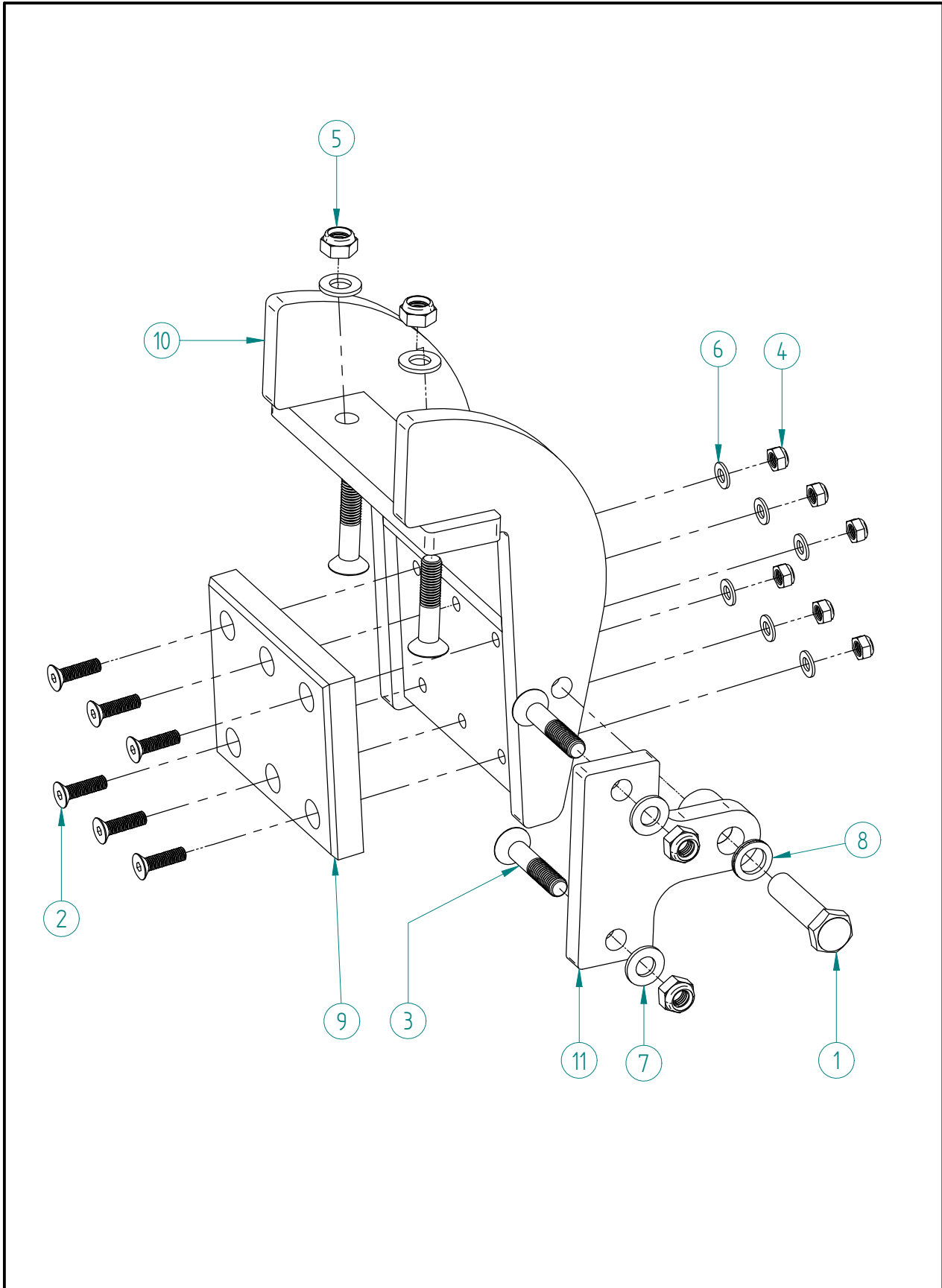
Pos	Pcs	Title	Description	Item no:
1	4	Bolt	MF6S M12x50 10.9 Fzb	122087
2	8	Lockin nut	LM6M fzb M12	130006
3	4	coach bolt	MVBF M12x40 8.8 Fzb	134040
4	8	Washer	BRB M12 fzb	137009
5	1	Pressure plate		5003444
6	4	Robalon distance		5007296
7	1	Pressure plate		5008478
8	1	Claw		5008479

Item no: **5007801**

Title: Dragklo HD vänster

Revision: **A**

Spare part view



Item no: **5007801**
Revision: **A**

Title: Dragklo HD vänster
Title: Sleeper re-positioner

Part list

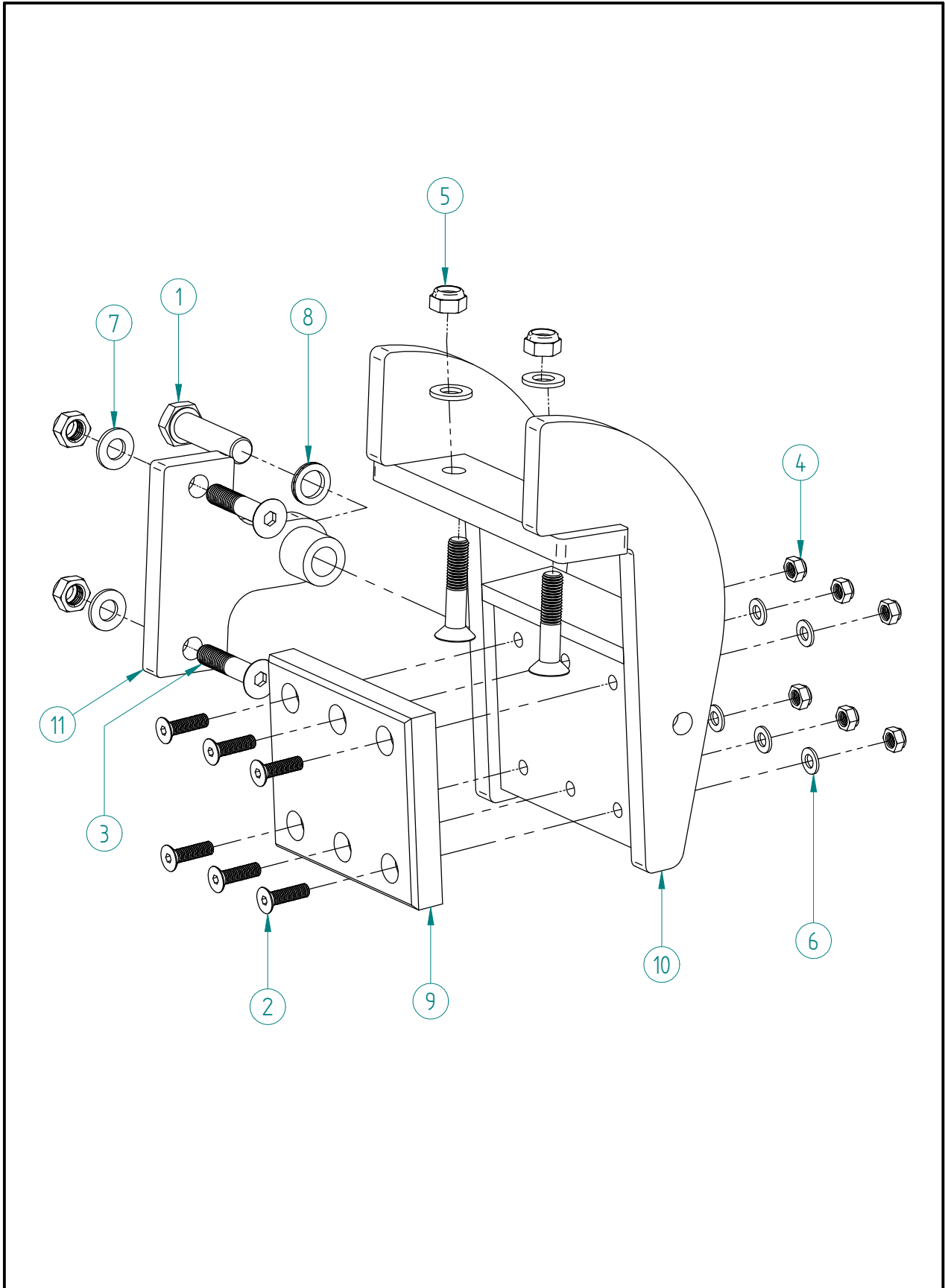
Pos	Pcs	Title	Description	Item no:
1	1	Screw	M6S M16x60 8,8 fzb	103161
2	6	Screw	MF6S M8x30 10,9 fzb	122054
3	4	Screw	MF6S M12x60 10,9 fzb	122089
4	6	Locking nut	LM6M M8 fzb	130004
5	4	Locking nut	LM6M M12 fzb	130006
6	6	Washer	BRB M8 fzb	137005
7	4	Washer	BRB M12 fzb	137009
8	1	Washer	Nordlock M16	142012
9	1	Wear plate	Robalon	30330053
10	1	Sleeper re-positioner		5007807
11	1	Side support		5007809

Item no: **5007802**

Title: Dragklo HD höger

Revision: **A**

Spare part view



Item no: **5007802**
Revision: **A**

Title: Dragklo HD höger
Title: Sleeper re-positioner

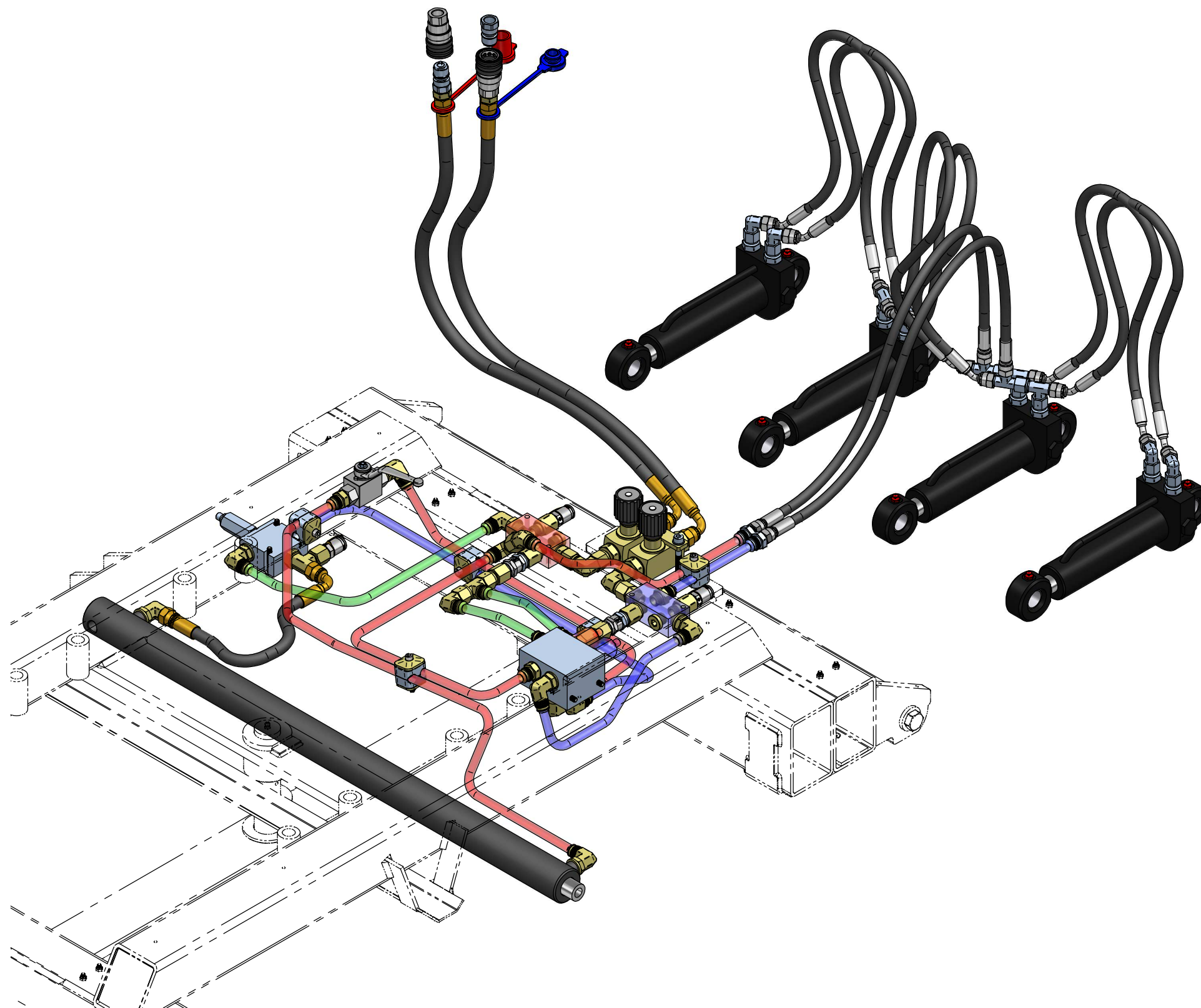
Part list

Pos	Pcs	Title	Description	Item no:
1	1	Screw	M6S M16x60 8,8 fzb	103161
2	6	Screw	MF6S M8x30 10,9 fzb	122054
3	4	Screw	MF6S M12x60 10,9 fzb	122089
4	6	Locking nut	LM6M M8 fzb	130004
5	4	Locking nut	LM6M M12 fzb	130006
6	6	Washer	BRB M8 fzb	137005
7	4	Washer	BRB M12 fzb	137009
8	1	Washer	Nordlock M16	142012
9	1	Wear plate	Robalon	30330053
10	1	Sleeper re-positioner		5007807
11	1	Side support		5007809

Item no: **5007880**

Revision: **B**

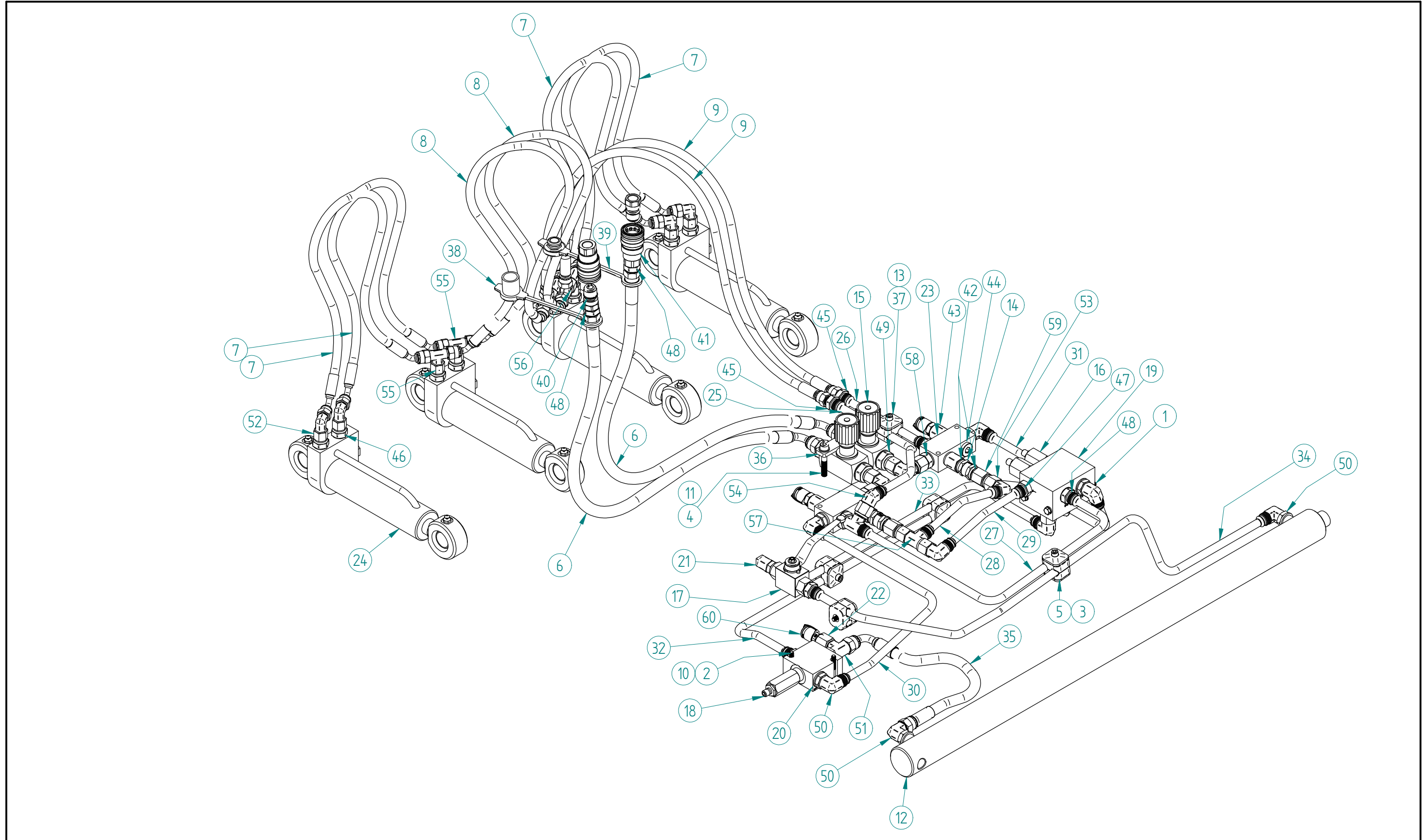
Rev	As from serial no:
B	SL45-0003
B	SL4-0001



Item no: **5007880**
Revision: **B**

Title: Hydraulsats SL400 / 450

Spare part view



Item no: **5007880**
 Revision: **B**

Title: Hydraulsats SL400 / 450
 Title: _Hydraulics SL400/SL450

Part list

Pos	Pcs	Title	Description	Item no:
1	2	Screw	M6S M6x100 8.8 fzb	103036
2	6	Screw	MC6S M6x40 8.8 fzb	113038
3	1	Screw	MC6S M6x50 8.8 Fzb	114028
4	3	Screw	MC6S M8x50 8.8 fzb	114043
5	1	Lock nut	LM6M M6 8,8 fzb	130002
6	2	Hose		13649-012
7	4	Hose		13649-020
8	2	Hose		13649-020
9	2	Hose		13649-021
10	4	Washer	BRB M6 fzb	137003
11	3	Washer	BRB M8 fzb	137005
12	1	Hydraulic cylinder	40 x 25 x 750	200015
13	5	Clamp body		21-112-12
14	2	Non return valve		220008
15	2	Restrictor		220012
16	2	Sequence valve	C02A3GZN	220013
17	1	2-way ball valve G IF 1/4		220014
18	1	Pressure reducer	C02A3GZN	220016
19	1	Valve housing		230002
20	1	Valve housing	LB 10525S	230003
21	1	Adjustable elbow fitting		252409
22	1	Measurement connection G 1/4"IF		252415
23	2	Manifold		3199-0275
24	4	Hydraulic cylinder 40/25-100		5006090
25	1	Pipe 12 mm	ST 37,4	5007881
26	1	Pipe 12 mm	ST 37,4	5007882
27	1	Pipe 12 mm	ST 37,4	5007883
28	1	Pipe 12 mm	ST 37,4	5007884
29	1	Pipe 12 mm	ST 37,4	5007885
30	1	Pipe 12 mm	ST 37,4	5007886
31	1	Pipe 12 mm	ST 37,4	5007887
32	1	Pipe 12 mm	ST 37,4	5007888
33	1	Pipe 12 mm	ST 37,4	5007889
34	1	Pipe 12 mm	ST 37,4	5007890
35	1	Hose		5007891
36	1	Bracket		5007899
37	6	Sectional plate	DTP2	5394-11-01

Item no: **5007880**
 Revision: **B**

Title: Hydraulsats SL400 / 450
 Title: _Hydraulics SL400/SL450

Part list

Pos	Pcs	Title	Description	Item no:
38	1	Male Protection		5552-04-06
39	1	Female Protection		5552-05-06
40	2	Quick release fitting G 3/8 Male		5552-22-06
41	2	Quick release fitting G3/8 Female		5552-23-06
42	4	Rubber steel washer NBR G1/4"		5601-01-04
43	4	G UF X G IF Long		7018-06-04
44	2	Plug	G 3/8"	7503-00-06
45	2	Straight joint fitting		7601-09-12
46	8	Straight fitting		7616-09-06
47	2	Straight fitting		7616-12-04
48	6	Straight fitting G3/8" - JIC 3/4"		7616-12-06
49	4	Straight fitting G1/2" - JIC 3/4"		7616-12-08
50	7	Adjustable elbow fitting		7622-12-06
51	2	L-fitting		7644-12-06
52	4	Elbow fitting swivel nut JIC		7660-09-09
53	5	Elbow fitting		7660-12-12
54	1	Connector swivel nut 45 deg		7661-12-12
55	4	T Fitting. swivel nut JIC		7662-09-09
56	2	L-koppling		7663-09-09
57	1	L-fitting swivel nut		7663-12-12
58	2	Adapter with swivel nut		7666-12-06
59	2	Manometer fitting		7680-12-04
60	3	Testpoint M16x2 G1/4"		8301-00-04