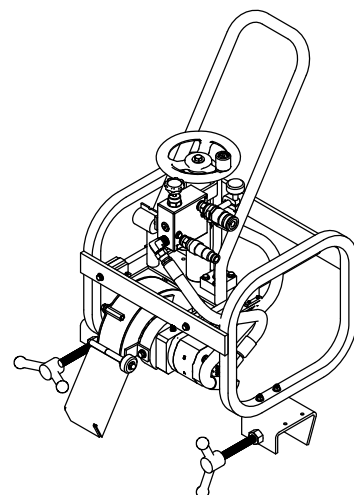
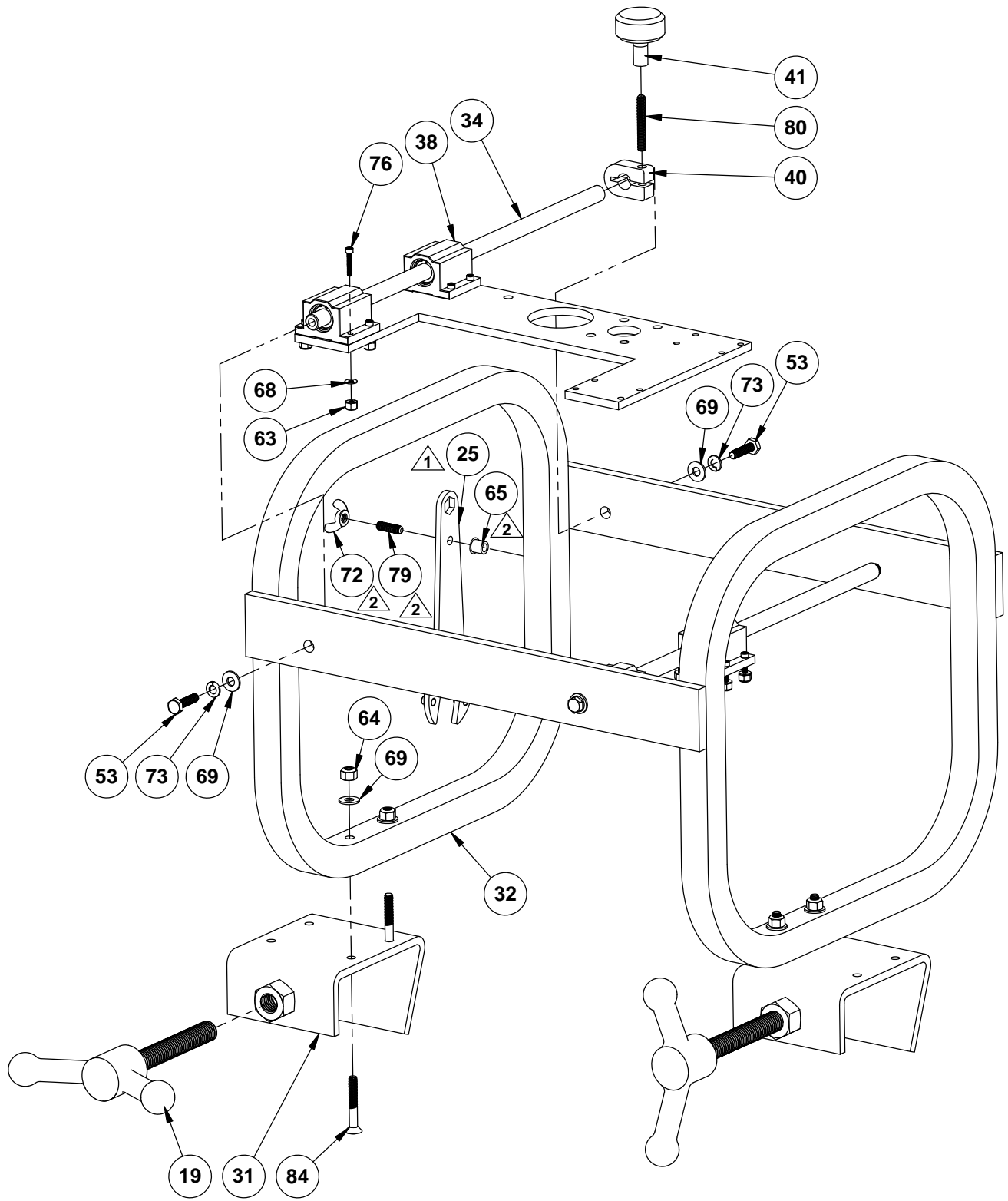
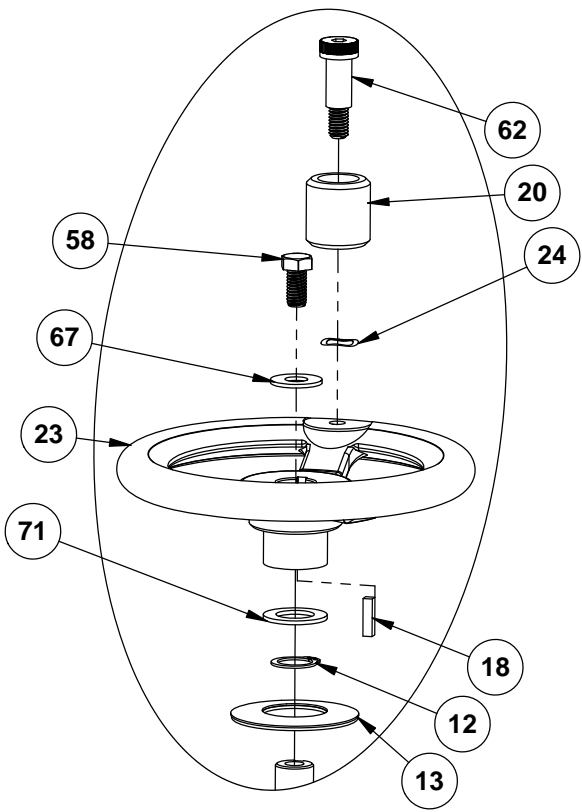


ITEM NO.	PART #	DESCRIPTION	QTY.
1	00137	CONTROL VALVE w/KNOB	1
2	00138A	REPLACEMENT KNOB ONLY	1
3	00145	QUICK DISCONNECT COUPLER	1
4	00146	QUICK DISCONNECT NIPPLE	1
5	00402	FLANGE	1
6	00403	INTERNAL RETAINING RING	1
7	00410B	HYDRAULIC MOTOR	1
8	00412	LOCKING PIN	1
9	00413	SPRING	1
10	00415	PLUG	1
11	00705	1 5/8 INTERNAL RETAINING RING	2
12	00706	3/4 EXTERNAL RETAINING RING	1
13	00709	REPLACEMENT SEALING WASHER ONLY	1
14	00710	OIL SEAL	1
15	00713	HEIGHT ADJUSTMENT BEARING	1
16	00795	FLOW CONTROL MANIFOLD	1
17	00796	FLOW REGULATOR VALVE	1
18	00806-01	3/16 SQ. KEY	1
19	00832	CLAMP SCREW	2
20	03930A	DISCONNECT CRANK HANDLE KNOB	1
21	03931A	HOSE	2
22	05917	HEIGHT ADJUSTMENT SCREW	1
23	05919	HAND WHEEL w/SEALING WASHER	1
24	05940	1/2 WAVE WASHER	1
25	06910SP	OPEN END SPANNER WRENCH	1
26	09223A	MOTOR BEARING BLOCK	1
27	09242	8in GUARD COVER	1
28	09228A-05	2" STONE SPACER	1
29	09237	SUPPORT SHAFT BLOCK	1
30	09281	HWR DEPTH GAUGE	1
31	09301	CLAMP BASE	2
32	09302	SUPPORT FRAME	1
33	09303	GRINDER HEAD BASE	1
34	09304	GUIDE RAIL	2
35	09305	HEIGHT ADJUSTMENT SUPPORT SHAFT	1
36	09306	TRANSITION BLOCK	1
37	09307A	SPARK GUARD	1
38	09308	1/2" LINEAR BEARING	4
39	09314	HEIGHT ADJUSTMENT SHAFT	1
40	09317	SHAFT CLAMP BLOCK	1
41	09318	CLAMP HAND KNOB	1
42	09320	SPARK GUARD FLAP	1
43	09321	FLAP LOCK KNOB	1
44	046003	DRIVE SHAFT BEARING	1
45	046004	OIL SEAL	1
46	046005	EXTERNAL RETAINING RING	1

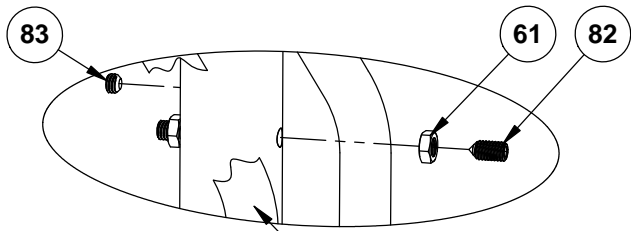
ITEM NO.	PART #	DESCRIPTION	QTY.
47	047001	CCW DRIVE SHAFT	1
48	047009	1" STONE ADAPTER	1
49	231P-04	-04 O-RING PLUG	2
50	355-08-08	1/2 NPT X -08 JIC 45 ELBOW	1
51	405-08-08	1/2 NPT x -08 JIC 90 ELBOW	1
52	69-08-08	1/2 NPT x 1/2 NPT HEX NIPPLE	2
53	A1002	1/4-20 x 1 HEX HEAD BOLT	4
54	A1005	1/4-20 x 1 3/4 HEX HEAD BOLT	4
55	A1009	1/4-20 x 2 3/4 HEX HEAD BOLT	1
56	A1010	1/4-20 X 3 HEX HEAD BOLT	1
57	A1021	5/16-18 x 3/4 HEX HEAD BOLT	4
58	A1041	3/8-16 x 3/4 HEX HEAD BOLT	1
59	A1127	5/8-11 x 3 HEX HEAD BOLT	1
60	A1452	5/16-18 HEX JAM NUT	2
61	A1454	3/8-16 HEX JAM NUT	2
62	A1481	DIA. 1/2 x 1 SHOULDER BOLT	1
63	A2040	#6-32 NYLOCK NUT	16
64	A2046	1/4-20 NYLOCK NUT	10
65	A2062	1/4-20 NUT CERT	1
66	A2066	1/4-20 SS ACORN NUT	1
67	A2163	3/8 USS FLAT WASHER	1
68	A2187	#6 SAE FLAT WASHER	16
69	A2190	1/4 SAE FLAT WASHER	20
70	A2191	5/16 SAE FLAT WASHER	4
71	A2200	14 GA. 3/4" FLAT WASHER	1
72	A2499	1/4-20 WING NUT	1
73	A3809	1/4 LOCK WASHER	4
74	A3810	5/16 LOCK WASHER	7
75	A3814	5/8 LOCK WASHER	1
76	A5400	#6-32 x 3/4 SHCS	16
77	A5448	5/16-18 x 1 SHCS	1
78	A5454	5/16-18 x 2 1/2 SHCS	3
79	A5608	1/4-20 x 7/8 SET SCREW	1
80	A5610	1/4-20 X 1 3/4 STAINLESS STEEL SET SCREW	1
81	A5624	5/16-18 x 1/2 NYLON TIP SET SCREW	2
82	A5626	3/8-16 X 3/4 CONE POINT SET SCREW	2
83	A5627	3/8-16 X 1/4 SET SCREW	1
84	A6303	1/4-20 x 1 3/4 FLAT HEAD CAP SCREW	4
85	A6910	DIA. 1/4 x 1 SHOULDER BOLT	1





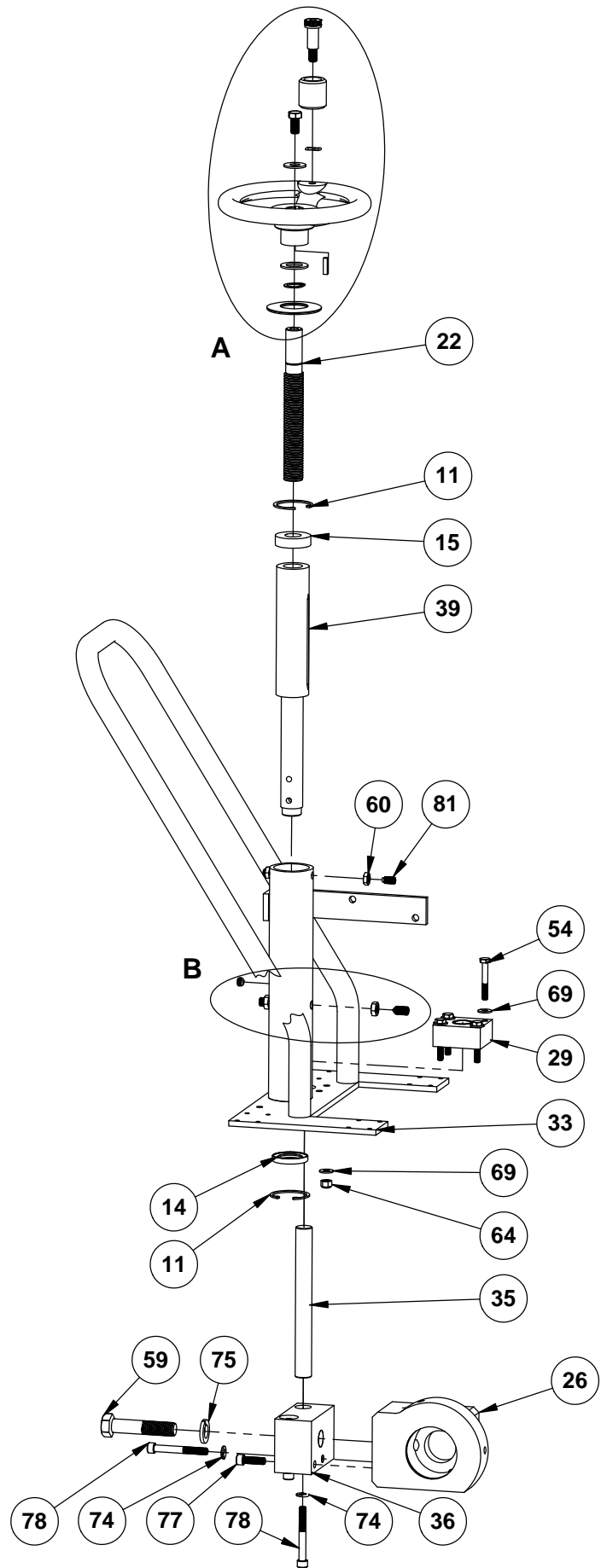


**DETAIL A**



COMPLETE HANDLE  
NOT SHOWN FOR  
CLARITY

**DETAIL B**



**A**

**B**

COMPLETE 09303  
WELDMENT NOT  
SHOWN FOR CLARITY

