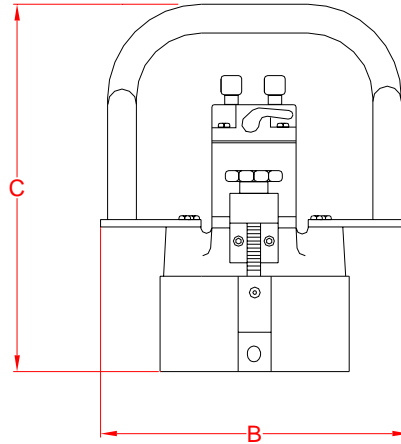
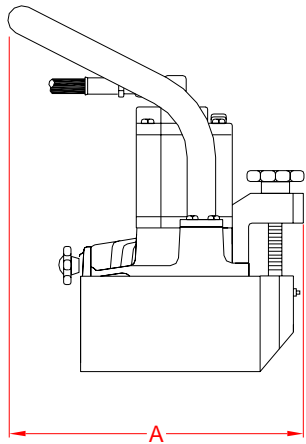


CUP STONE GRINDER
04800 ON / OFF VALVE
04850 SAFETY TRIGGER

The Matweld Cup Stone Grinder is designed for use in grinding the tops of frogs and rail. The unique stone adjustment feature allows the operator to easily adjust the guard as the stone wears without the need for wrenches. The wrap-around handle design gives the operator complete control of the tool.



FLOW	PRESSURE	RPM	DIMENSIONS	WEIGHT
10 gpm (38 lpm)	2000 psi (140 bar)	4000	A - 10-3/4" (273mm) B - 11" (279 mm) C - 12-1/2" (318mm)	23 lbs. (10 kg)

ACCESSORIES:
02199- 6" x 3" x 5/8" Grinding stone

MATWELD, INC.

PHONE:(270) 444-0085

FAX:(270) 443-6180

Matweld reserves the right to change parts, features, or specifications without notice.

GENERAL SAFETY PRECAUTIONS:

TOOL OPERATORS AND MAINTENANCE PERSONNEL MUST ALWAYS COMPLY WITH THE SAFETY PRECAUTIONS GIVEN IN THIS MANUAL, AND WITH ALL STICKERS AND TAGS ATTACHED TO THE TOOL AND HOSE. ALL SAFETY PRECAUTIONS ARE GIVEN FOR YOUR SAFETY. READ TO UNDERSTAND AND FOLLOW ALL SAFETY, MAINTENANCE AND OPERATION INSTRUCTIONS BEFORE YOU USE OR MAINTAIN THE TOOL. REVIEW THE MANUAL DAILY BEFORE USING THE TOOL. IN ADDITION, FOLLOW ALL SAFETY GUIDELINES GIVEN YOU BY YOUR SUPERVISOR. DO NOT USE THE TOOL IF YOU HAVE ANY QUESTIONS ABOUT THE OPERATION, SAFETY OR MAINTENANCE OF THIS TOOL. FAILURE TO FOLLOW THESE INSTRUCTIONS CAN RESULT IN PERSONAL INJURY OR EQUIPMENT DAMAGE.

MATWELD HAS NO CONTROL OVER TOOL USE OR OPERATION ONCE IT LEAVES THE MATWELD PLANT. MATWELD HAS NO CONTROL OVER OPERATOR OR MAINTAINER SELECTION. THE CUSTOMER MUST ASSUME RESPONSIBILITY FOR THE TOOL'S SUITABILITY FOR A PARTICULAR FUNCTION. DURING USE OF TOOL, GOOD JUDGEMENT MUST BE USED TO WORK SAFELY AND EFFICIENTLY WITHOUT ENDANGERING THEMSELVES OR BYSTANDERS. UNDERSTANDING OF THE OPERATION AND MAINTENANCE MANUAL IS ESSENTIAL FOR ANYONE USING OR MAINTAINING THE TOOL.

- DO NOT OPERATE THE TOOL UNTIL YOU HAVE BEEN THOROUGHLY AND PROPERLY TRAINED OR UNDER THE SUPERVISION OF AN INSTRUCTOR.
- CHECK POWER SOURCE DAILY TO DETERMINE IF CORRECT FLOW AND PRESSURE ARE AVAILABLE. NEVER EXCEED FLOWS OR PRESSURES FOR THE TOOL BEING USED. PERSONAL INJURY OR DAMAGE TO THE TOOL CAN RESULT.
- OPERATORS MUST CLEAR THE WORK AREA OF NON-ESSENTIAL PERSONNEL. FLYING DEBRIS CAN CAUSE SERIOUS INJURY.
- THE OPERATOR MUST BE FAMILIAR WITH ALL PROHIBITED WORK AREAS SUCH AS UNSAFE GRADES, POOR FOOTING AREAS AND OVERHEAD HAZARDS.
- MAINTAIN BALANCE AND PROPER FOOTING AT ALL TIMES. NEVER OVERREACH TO THE EXTENT THAT A BROKEN PART OR SUDDEN MOVEMENT OF THE TOOL CAN CAUSE YOU TO LOSE YOUR BALANCE AND FALL, OR CAUSE INJURY TO YOUR SELF OR SOMEONE ELSE.

- WHEN WORKING NEAR ELECTRICAL CONDUCTORS, ALWAYS ASSUME THAT THE CONDUCTORS ARE ENERGIZED AND THAT HOSES AND CLOTHING CAN CONDUCT HARMFUL ELECTRICITY. USE HOSES LABELED AND CERTIFIED AS NON-CONDUCTIVE.
- DO NOT OPERATE THE TOOL AT EXCESSIVE FLUID TEMPERATURES OPERATOR DISCOMFORT AND POTENTIAL BURNS CAN RESULT AT HIGH OIL TEMPERATURES.
- NEVER WEAR LOOSE CLOTHING THAT CAN GET ENTANGLED IN THE WORKING PARTS OF THE TOOLS OR BE CARELESS WITH HANDS, FEET OR OTHER BODY PARTS AROUND THE WORKING PARTS OF THE TOOLS. HYDRAULIC TOOLS EXERT HIGH TORQUE AND FORCE AND CAN CAUSE SERIOUS INJURY OR DEATH IF IMPROPERLY USED.
- TO AVOID PERSONAL INJURY OR EQUIPMENT DAMAGE, ALL TOOL REPAIR, MAINTENANCE OR SERVICE MUST ONLY BE PERFORMED BY AUTHORIZED AND PROPERLY TRAINED PERSONNEL.
- ALWAYS WEAR SAFETY EQUIPMENT SUCH AS OIL INJECTION RESISTANT WORK GLOVES, SAFETY GLASSES, SAFETY BOOTS, EAR PROTECTION AND OTHER SAFETY APPAREL DICTATED BY YOUR SUPERVISOR APPLICABLE FOR THE JOB YOU ARE DOING AND THE TOOL YOU ARE USING.
- DO NOT CLEAN INSPECT OR REPAIR THE TOOL WHILE CONNECTED TO THE POWER SOURCE. ACCIDENTAL ENGAGEMENT OF THE TOOL CAN CAUSE SERIOUS PERSONAL INJURY.
- OIL INJECTION HAZARD EXISTS WITH THIS TOOL. OIL INJECTION IS A CONDITION WHERE HYDRAULIC OIL IS INJECTED UNDER THE SKIN FROM PRESSURE IN THE LINE. ALWAYS WEAR GLOVES AND REPAIR ANY LEAKS IMMEDIATELY. NEVER CARRY A TOOL BY THE HOSES.
- DO NOT USE DAMAGED EQUIPMENT. IMMEDIATELY REPLACE ANY DAMAGED HOSES, FITTINGS, OR OTHER COMPONENTS SHOWING WIRE BRAID, NICKS, CUTS, DAMAGE OR ABRASIONS. FAILURE TO DO SO MAY RESULT IN EQUIPMENT DAMAGE AND / OR PERSONAL INJURY OR DEATH.
- CLEAN UP ANY OIL OR FLUID SPILLS IMMEDIATELY.

SAFETY PRECAUTIONS:

1. **ALWAYS** WEAR PROTECTIVE EQUIPMENT SUCH AS GLOVES, SAFETY GLASSES, EAR PROTECTION AND SAFETY SHOES.
2. DO NOT WEAR CLOTHING WHICH MAY BECOME ENTANGLED IN THE TOOL.
3. **ALWAYS** KEEP WORK AREA FREE OF TOOLS OR ANY OTHER OBJECTS WHICH MAY IMPAIR SOUND FOOTING.
4. **CAUTION** OIL INJECTION HAZARD EXISTS WITH THIS TOOL. OIL INJECTION IS A CONDITION WHERE THE HYDRAULIC OIL IS FORCED UNDER THE SKIN THROUGH PRESSURE IN THE LINE. ALWAYS WEAR GLOVES, DO NOT CARRY THE TOOL BY HYDRAULIC HOSES, AND REPAIR LEAKS IMMEDIATELY..
5. **NEVER** CHANGE STONES WITH THE POWER SOURCE VALVE(S) IN THE “**ON**” POSITION, TURN THE POWER SOURCE “**OFF**”.
6. **NEVER** ATTEMPT TO CARRY THE GRINDER WITH THE POWER SOURCE IN THE “**ON**” POSITION, TURN THE POWER SOURCE “**OFF**”.
7. **NEVER** TOUCH OR TRY TO STOP A MOVING STONE.
8. **ALWAYS** CHECK THE WORK AREA FOR ANY TRASH WHICH MAY IGNITE FROM SPARKS.
9. **ALWAYS** CHECK THE AREA FOR SMOLDERING TIES OR TRASH BEFORE LEAVING THE SITE.
10. WHEN CHANGING STONES, FOLLOW ALL GRINDING STONE MANUFACTURERS INSTRUCTIONS FOR SAFETY AND OPERATION. USE ONLY STONES THAT COMPLY WITH ANSI STANDARDS. BEFORE USING, RUN NEW GRINDING STONE FOR ONE MINUTE AT FULL SPEED TO CHECK FOR DEFECTS OR VIBRATION.
11. MOST HYDRAULIC OILS HAVE A FLASHPOINT OF APPROXIMATELY 450 DEGREES (F). MAKE SURE HOSES ARE COMPLETELY CLEAR OF SPARKS AND HOT DEBRIS. HAVE ANOTHER PERSON STAND CLOSE TO HYDRAULIC POWER SOURCE CONTROLS TO OBSERVE OPERATION AND FOR EMERGENCY SHUTDOWN IF NECESSARY.

04800/04850 CUPSTONE GRINDER

FLOW:	10 GPM (38 LPM)
PRESSURE:	2000 PSI (140 BAR)
MAX BACK PRESSURE:	250 PSI (17 BAR)
RPM:	4000

OPERATION:

1. WITH WITH THE POWER SOURCE IN THE "OFF" POSITION, CONNECT THE HOSES. DO NOT DRAG THE SERVICE HOSE BY PULLING WITH THE TOOL. LOOP THE SERVICE HOSE IN THE WORK AREA IN SUCH A WAY TO RELIEVE STRESS ON THE HOSE AND QUICK DISCONNECT FITTINGS WHILE WORKING. BE AWARE OF HOSE LOCATION AT ALL TIMES.
2. CONNECT THE TOOL TO THE POWER SOURCE.
3. GRASP THE TOOL **FIRMLY** BEFORE TURING ON THE VALVE OR ENGAGING THE TRIGGER. THERE WILL BE A SLIGHT TORQUE REACTION WHEN THE STONE IS ACTIVATED.

04800/04850 CUPSTONE GRINDER

MAINTENANCE:

1. CHECK TOOL **DAILY** FOR PROPER OPERATION, LEAKS, OR DAMAGE.
2. INSPECT HOSES **DAILY**. REPLACE CUT, BURNED, OR OTHERWISE DAMAGED HOSES.
3. KEEP QUICK DISCONNECT COUPLERS **CLEAN AND LUBRICATED**.
4. USE HYDRAULIC FLUIDS THAT COMPLY WITH HTMA SPECIFICATION 5.7, THE HYDRAULIC FLUID SHOULD HAVE A VISCOSITY BETWEEN 100 AND 400 SSU (20-82 CENTISTOKES) AT THE MAXIMUM AND MINIMUM EXPECTED OPERATING TEMPERATURES. PETROLEUM BASED HYDRAULIC FLUIDS WITH ANTI-WEAR PROPERTIES AND A VISCOSITY INDEX OF OVER 140 WORK FOR A WIDE RANGE OF OPERATING CONDITIONS.

THE FOLLOWING OILS MEET HTMA SPECIFICATION 5.7:

AMOCO RYKON MV	CITGO A/W ALL TEMP
SUNVIS 706	MOBIL D.T.E. 13
CHEVRON EP-MV	TEXACO "RANDO" HDAZ

OTHER FLUIDS THAT MEET OR EXCEED THIS SPECIFICATION CAN BE USED.

*SEE **COLD WEATHER OPERATION** HYDRAULIC OIL NOTE.

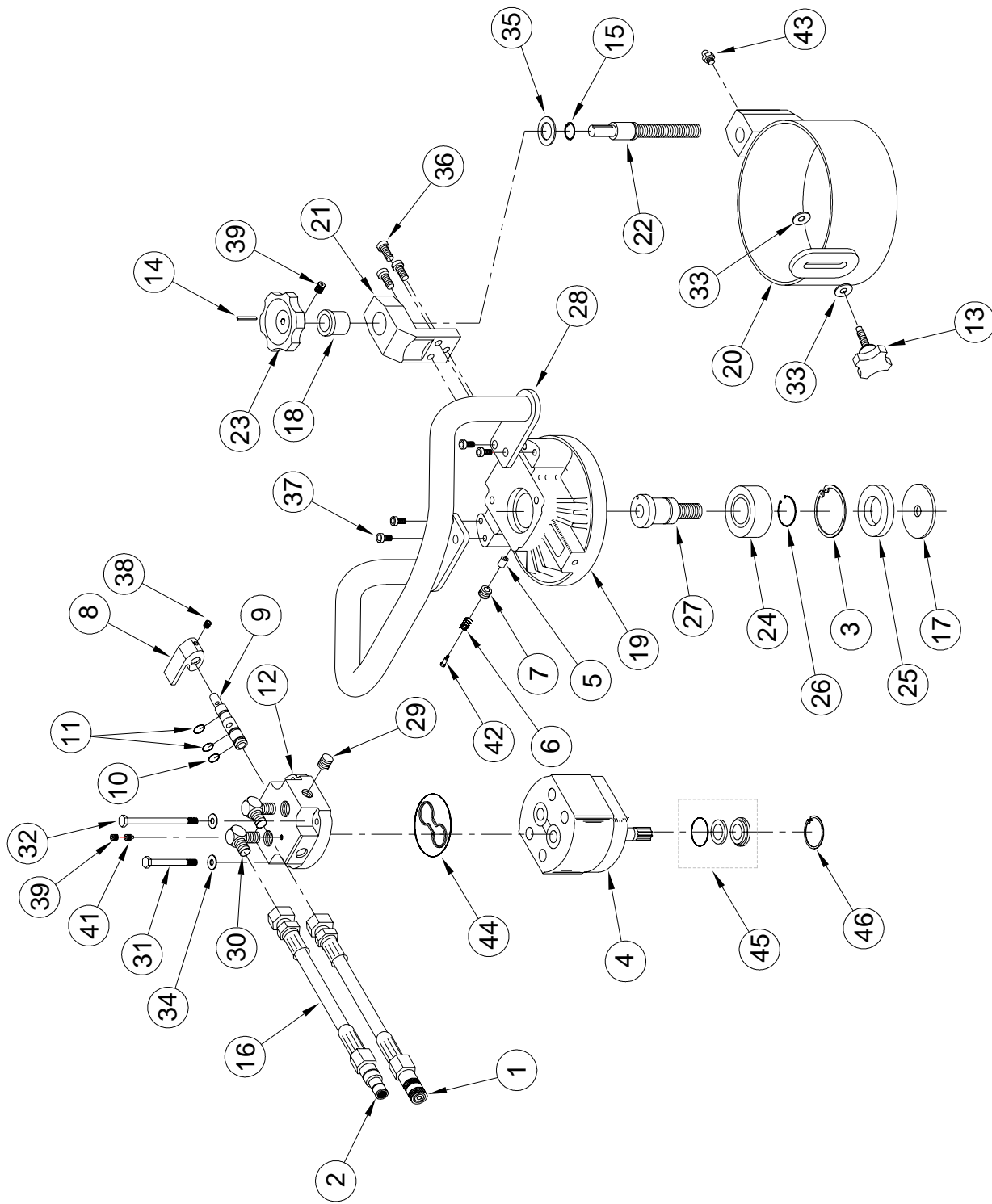
5. HAVE TOOL INSPECTED, AT LEAST ANNUALLY, BY MATWELD OR A MATWELD QUALIFIED SERVICE REPRESENTATIVE TO DETERMINE IF TOOL IS IN NEED OF SAFETY CHANGES OR WORN PART REPLACEMENT.
6. CONTACT MATWELD ON A PERIODIC BASIS, AT LEAST ANNUALLY, FOR SERVICE BULLETINS, SAFETY NOTICES, OR OTHER IMPORTANT INFORMATION PERTAINING TO THIS TOOL.

04800/04850 CUPSTONE GRINDER

CHANGING STONES:

1. DISCONNECT THE TOOL FROM THE POWER SOURCE.
2. ROTATE THE STONE BY HAND SLOWLY WHILE DEPRESSING THE LOCK PIN MECHANISM, LOCATED ON THE SIDE OF THE BEARING HOUSING.
3. WHEN THE PIN ENGAGES, SPINE GINDING STONE OFF (COUNTER-CLOCKWISE).

**04800
CUPSTONE GRINDER**



MATWELD, INC.

PHONE:(270) 444-0085

FAX:(270) 443-6180

Matweld reserves the right to change parts, features, or specifications without notice.

**04800
CUPSTONE GRINDER
PARTS LIST**

ITEM NO.	PART NO.	DESCRIPTION	QUANTITY
1	00145	QUICK DISCONNECT COUPLER	1
2	00146	QUICK DISCONNECT NIPPLE	1
3	00403	INTERNAL RETAINING RING	1
4	00410A	TOP PORT MOTOR	1
5	00412	LOCKING PIN	1
6	00413	SPRING	1
7	00415	PLUG	1
8	00416	VALVE HANDLE	1
9	00417A	VALVE SPOOL	1
10	00419	O-RING	1
11	00420	O-RING	2
12	00423A	VALVE BODY	1
13	00612	TORQUE STOP KNOB	1
14	00704	SQUARE KEY	1
15	00706	3/4 EXTERNAL RETAINING RING	1
16	00816	PIGTAIL HOSE ASSEMBLY	2
17	02101	GRINDING STONE FLANGE	1
18	02202	INSULATING FLANGE BEARING	1
19	03402	BEARING HOUSING	1
20	03404	STONE GUARD	1
21	03407	HEIGHT ADJUSTMENT BRACKET	1
22	03408	HEIGHT ADJUSTMENT SHAFT	1
23	03914	KNOB	1
24	046003	BEARING - DRIVESHAFT	1
25	046004	SEAL	1
26	046005	RAETAINING RING	1
27	048001	DRIVE SHAFT	1
28	048509	HANDLE	1
29	231P-05	#5 O-RING PLUG	1
30	405-08-06	#8 MJIC x #6 NPT MP 90	2
31	A1052	3/8-16 x 3-1/2" LG. HEX HEAD BOLT	2
32	A1054	3/8-16 x 4" LG. HEX HEAD BOLT	2
33	A2191	5/16" ID SAE FLAT WASHER	2
34	A2192	3/8" ID SAE FLAT WASHER	4
35	A2200	3/4- x 1-1/4 WASHER	1
36	A5447	5/16-18 x 3/4" LG. SHCS	3
37	A5448	5/16-18 x 1" LG. SHCS	4
38	A5592	10-32 x 3/8" LG. SET SCREW	1
39	A5601	1/4-28 x 1/4" LG. SET SCREW	2
40	A5602	1/4-20 x 5/16" LG. SET SCREW	1
41	A5605	1/4-28 x 3/8" LG. SET SCREW -DP	1
42	A6910	1/4 x 1 SHOULDER BOLT	1
43	GF-101	GREASE FITTING	1
44	01631	MOTOR SEAL KIT	1
45	01612	SHAFT SEAL KIT	1
46	01611	RETAINING RING	1

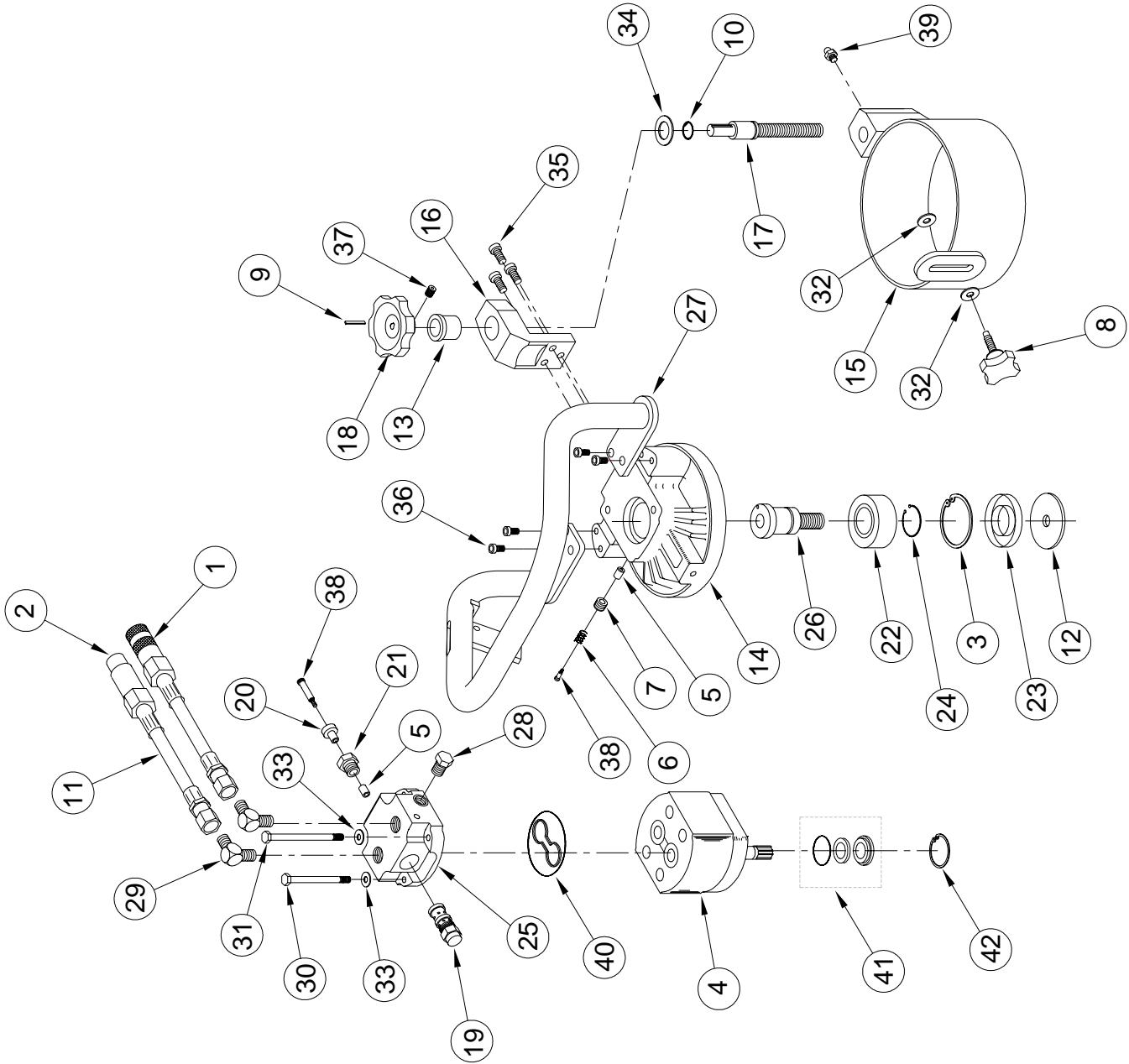
MATWELD, INC.

PHONE:(270) 444-0085

FAX:(270) 443-6180

Matweld reserves the right to change parts, features, or specifications without notice.

**04850
CUPSTONE GRINDER
TRIGGER VERSION**



MATWELD, INC.

PHONE:(270) 444-0085

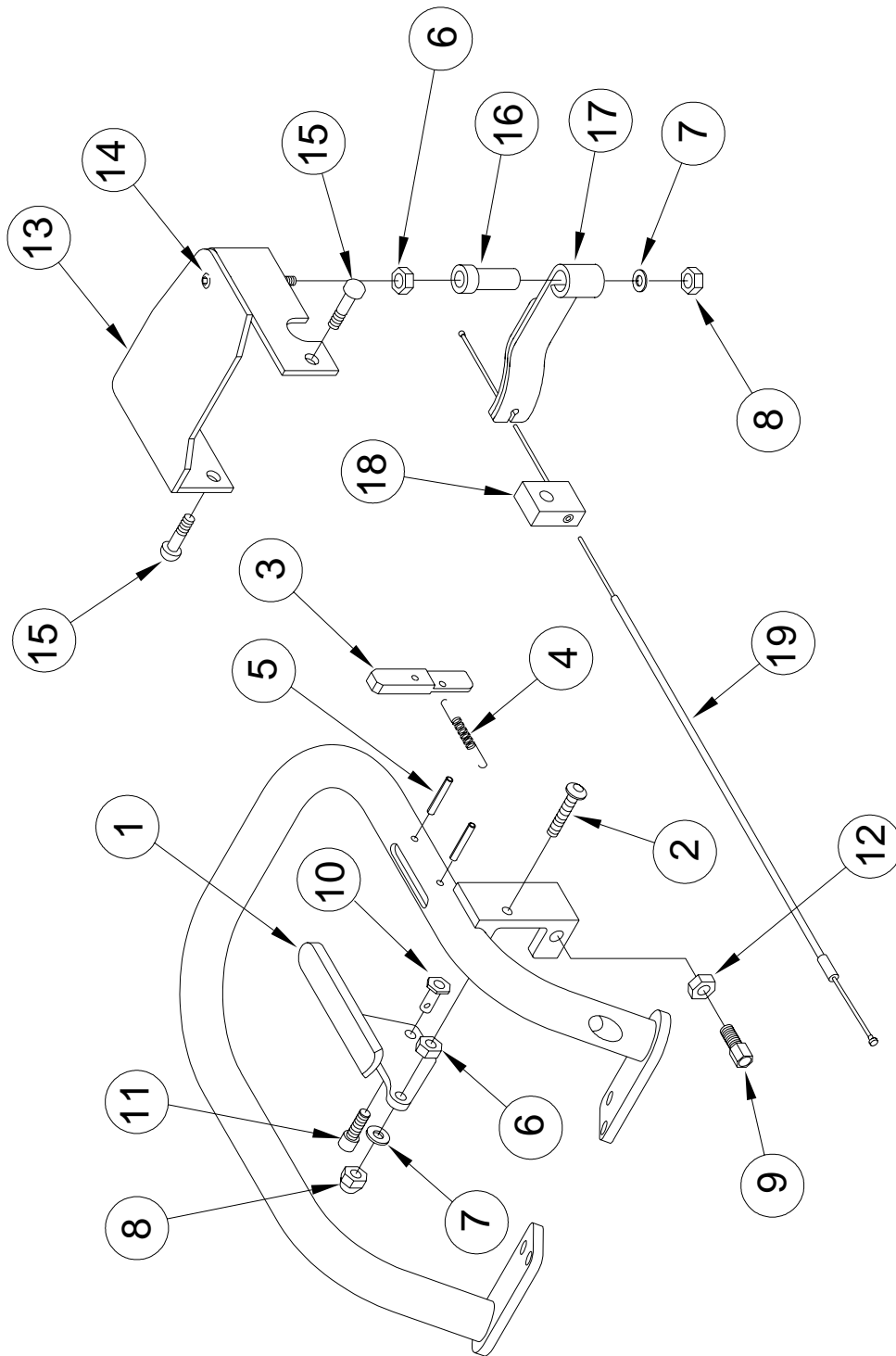
FAX:(270) 443-6180

Matweld reserves the right to change parts, features, or specifications without notice.

**04850
CUPSTONE GRINDER
TRIGGER VERSION**

ITEM NO.	PART NO.	DESCRIPTION	QUANTITY
1	00145	QUICK DISCONNECT COUPLER	1
2	00146	QUICK DISCONNECT NIPPLE	1
3	00403	INTERNAL RETAINING RING	1
4	00410A	TOP PORT MOTOR	1
5	00412	LOCKING PIN	2
6	00413	SPRING	1
7	00415	PLUG	1
8	00612	TORQUE STOP KNOB	1
9	00704	SQUARE KEY	1
10	00706	3/4 EXTERNAL RETAINING RING	1
11	00816	PIGTAIL HOSE ASSEMBLY	2
12	02101	GRINDING STONE FLANGE	1
13	02202	INSULATING FLANGE BEARING	1
14	03402	BEARING HOUSING	1
15	03404	STONE GUARD	1
16	03407	HEIGHT ADJUSTMENT BRACKET	1
17	03408	HEIGHT ADJUSTMENT SHAFT	1
18	03914	KNOB	1
19	045021	TRIGGER VALVE	1
20	045036	BELLOWS SEAL	1
21	045037	GUIDE BUSHING	1
22	046003	BEARING - DRIVESHAFT	1
23	046004	SEAL	1
24	046005	RAETAINING RING	1
25	046501	VALVE MANIFOLD	1
26	048001	DRIVE SHAFT	1
27	048508	TRIGGER HANDLE	1
28	231P-02	#2 O-RING PLUG	4
29	405-08-06	#8 MJIC x #6 NPT MP 90	2
30	A1052	3/8-16 x 3-1/2" LG. HEX HEAD BOLT	2
31	A1054	3/8-16 x 4" LG. HEX HEAD BOLT	2
32	A2191	5/16" ID SAE FLAT WASHER	2
33	A2192	3/8" ID SAE FLAT WASHER	4
34	A2200	3/4- x 1-1/4 WASHER	1
35	A5447	5/16-18 x 3/4" LG. SHCS	3
36	A5448	5/16-18 x 1" LG. SHCS	4
37	A5601	1/4-28 x 3/8" LG. SET SCREW	1
38	A6910	1/4 x 1" SHOULDER BOLT	2
39	GF-101	GREASE FITTING	1
40	01631	MOTOR SEAL KIT	1
41	01612	SHAFT SEAL KIT	1
42	01611	RETAINING RING	1

**04850
CUPSTONE GRINDER
TRIGGER VERSION**



MATWELD, INC.

PHONE:(270) 444-0085

FAX:(270) 443-6180

Matweld reserves the right to change parts, features, or specifications without notice.

**04850
CUPSTONE GRINDER
TRIGGER VERSION**

ITEM NO.	PART NO.	DESCRIPTION	QUANTITY
1	06904	TRIGGER	1
2	A6351	1/4-20 x 1" LG. BHCS	1
3	03981	SAFETY LEVER	1
4	046594	SAFETY LEVER SPRING	1
5	A6062	1/8" x 1" LG. SPRING PINS	2
6	A1450	1/4-20 JAM NUT	2
7	A2190	1/4" ID SAE FLAT WASHER	2
8	A2046	1/4-20 NYLOCK NUT	1
9	02940	ADJUSTMENT NUT	1
10	02919	CABLE STOP	1
11	A5375	8/32-38" LG. SHCS	1
12			1
13	046503	TOP PLATE	1
14	A6355	1/4-20 x 1-3/4" LG. BHCS	1
15	A6349	1/4-20 x 5/8" LG. BHCS	3
16	046509	BUSHING	1
17	046502	PLUNGER LEVER	1
18	046507	CABLE SPACER	1
19	06907A	CABLE ASSEMBLY - STAINLESS	1

REVIEW OF HYDRAULIC PRINCIPLES

A. TOOL CIRCUIT

1. HYDRAULIC FORMULAS:

$$\text{GPM} = \frac{\text{CID} \times \text{RPM}}{231} \qquad \text{HP} = \frac{\text{GPM} \times \text{PSI}}{1456.9}$$

Example: HP required to deliver 10 GPM at 1500 PSI.

$$\frac{10 \text{ GPM} \times 1500 \text{ PSI}}{1456.9} = \frac{15000}{1456.9} = 10.3 \text{ HP}$$

(subtract back pressure for tool HP)

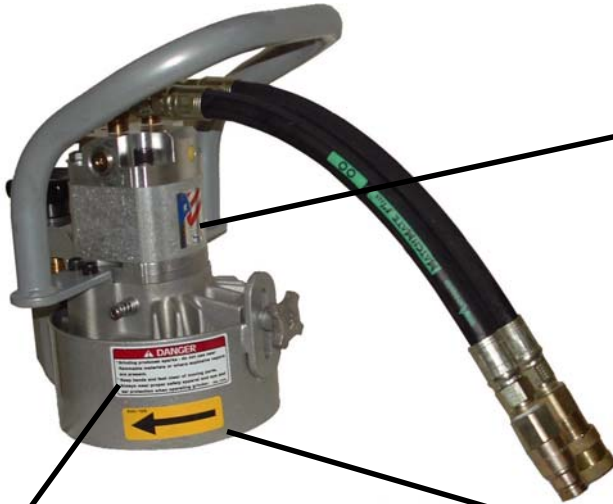
Estimated HP delivered by pump or used by tool.

GPM	PSI	500	1,000	1,500	2,000	2,500	3,000
3		1.03	2.06	3.09	4.12	5.15	6.18
5		1.72	3.43	5.15	6.86	8.58	10.30
10		3.43	6.86	10.3	13.70	17.20	20.60
15		5.15	10.30	15.40	20.60	25.70	30.90

2. BACK PRESSURE

BACK PRESSURE MEASURED AT THE TOOL RETURN PORT MUST NOT EXCEED THE MANUFACTURERS BACK PRESSURE RATING. MOST MANUFACTURERS LIST THE MAXIMUM BACK PRESSURE FOR THEIR HYDRAULIC TOOLS AT 250 PSI. BACK PRESSURE MEASURED ON THE RETURN SIDE OF THE TOOL IS THE FORCE REQUIRED TO GET THE OIL BACK TO THE TANK. IN ALMOST ALL CASES THE LOWER THE BACK PRESSURE THE BETTER THE TOOL PERFORMANCE. FIRST, THE BACK PRESSURE IS SUBTRACTED FROM THE MAXIMUM TOOL PRESSURE TO ARRIVE AT A MAXIMUM TOOL OPERATING PRESSURE. FOR EXAMPLE, TOOLS WITH 2000 PSI OPERATING PRESSURE ARE INSTALLED ON A SYSTEM WITH 250 PSI BACK PRESSURE. THIS LEAVES 1750 PSI AS A MAXIMUM TOOL PRESSURE. IMAGINE A SYSTEM WITH 500 PSI BACK PRESSURE. 2000 MINUS 500 PSI BACK PRESSURE LEAVES ONLY 1500 PSI FOR THE TOOL. SECOND, TOOLS ARE DESIGNED FOR PRESSURE TO BUILD ON THE PRESSURE SIDE OF THE TOOL. IF TOO MUCH PRESSURE BUILDS ON THE RETURN SIDE, NOT ONLY IS PERFORMANCE EFFECTED, BUT SEALS MAY BLOW. THIS IS WHY IT IS VERY IMPORTANT TO DIRECT THE FLOW INTO THE TOOL CORRECTLY. REVERSING THE HOSES TO TEST MAY RESULT IN BLOWN SEALS, DAMAGE TO THE TOOL, AND PERSONAL INJURY.

DECAL LEGEND



⚠ DANGER

- Grinding produces sparks - do not use near flammable materials or where explosive vapors are present.
- Keep hands and feet clear of moving parts.
- Always wear proper safety apparel and eye and ear protection when operating grinder. DCL-1016



⚠ WARNING

HIGH - PRESSURE FLUID HAZARD
 To prevent serious injury or death:
 * Relieve pressure on system before repairing or adjusting or disconnecting.
 * Wear proper hand and eye protection when searching for leaks. Use wood or cardboard instead of hands.
 * Keep all components in good repair. DCL-1002

⚠ WARNING

To prevent Serious Injury or Death
 * Avoid unsafe operation or maintenance
 * Do not operate or work on this machine without reading and understanding the operator's manual
 * If manual is lost, contact MATWELD INC. for a new manual.
 DCL-1001

Matweld, Inc.
 PADUCAH, KY

**04800/04850 CUPSTONE GRINDER
GENERAL NOTES**

MATWELD, INC.

PHONE:(270) 444-0085

FAX:(270) 443-6180

Matweld reserves the right to change parts, features, or specifications without notice.

LIMITED WARRANTY

MATWELD, INC., PADUCAH, KY., WARRANTS TO THE ORIGINAL PURCHASE OF THIS PRODUCT THAT THE PRODUCT WILL BE FREE FROM DEFECTS IN MATERIAL AND WORKMANSHIP FOR THE PERIOD OF ONE (1) YEAR AFTER THE DELIVERY OF SUCH PRODUCT TO THE CUSTOMER. OTHER EQUIPMENT AND PARTS USED, BUT NOT MANUFACTURED BY MATWELD INC. ARE COVERED DIRECTLY BY THE WARRANTY OF THE MANUFACTURER OF THOSE PRODUCTS. PROOF OF PURCHASE MUST BE DOCUMENTED INCLUDING REFERENCE TO A SERIAL NUMBER LOCATED ON EACH TOOL. THE PURCHASER'S ONLY REMEDIES UNDER THIS LIMITED WARRANTY SHALL BE LIMITED AT MATWELD'S SOLE OPTION TO THE FOLLOWING: REPAIR, REPLACEMENT OR REFUND OF THE PURCHASE PRICE OF THE DEFECTIVE PRODUCTS. EACH OF THESE REMEDIES REQUIRES TIMELY NOTIFICATION OF THE DEFECT IN THE PRODUCT AND SUBSTANTIATION THAT THE PRODUCT HAS BEEN PROPERLY STORED, MAINTAINED AND USED. MATWELD'S OBLIGATIONS HEREUNDER EXTEND ONLY TO THE PURCHASER OF THE PRODUCT AND NOT TO ANY THIRD PARTY.

AS A CONDITION PRECEDENT TO MATWELD'S OBLIGATION HEREUNDER, THE DEFECTIVE PRODUCT MUST NOT HAVE BEEN ALTERED OR MODIFIED WITHOUT THE EXPRESS WRITTEN APPROVAL OF MATWELD, INC. THE PRODUCT MUST NOT HAVE BEEN SUBJECTED TO DELIBERATE DAMAGE, SHIPPING DAMAGE, NEGLIGENCE, TAMPERING BY UNAUTHORIZED PERSONNEL OR DAMAGE BY IMPROPER USE, STORAGE OR MAINTENANCE. SERIAL NUMBERS MUST NOT HAVE BEEN ALTERED, DEFACED OR REMOVED. SUCH ACTION VOIDS LIMITED WARRANTY.

EXCLUSIONS TO LIMITED WARRANTY

THIS LIMITED WARRANTY IS EXCLUSIVE AND IS IN LIEU OF ANY OTHER WARRANTY, WRITTEN OR ORAL, EXPRESSED OR IMPLIED, INCLUDING, WITHOUT LIMITATION, ANY IMPLIED WARRANTY OR MERCHANTABILITY OR FITNESS FOR A PARTICULAR PURPOSE.

LIMITED WARRANTY DOES NOT COVER NORMAL WEAR AND TEAR ITEMS SUCH AS FILTERS, HOSES, COUPLERS, BITS, SOCKETS, AUGERS, AND BATTERIES.

LIMITATION OF LIABILITY

EXCEPT AS PROVIDED ABOVE, MATWELD SHALL IN NO EVENT BE LIABLE OR RESPONSIBLE FOR ANY INJURY, LOSS OR DAMAGE, DIRECT, INCIDENTAL OR CONSEQUENTIAL, ARISING OUT OF THE USE OR MISUSE OR INABILITY TO USE THE PRODUCT, HOWEVER CAUSED AND ON ANY THEORY OF LIABILITY INCLUDING, WITHOUT LIMITATIONS, BREACH OF CONTRACT, TORT, (INCLUDING NEGLIGENCE OR STREET LIABILITY) AND NOT WITHSTANDING ANY FAILURE OF ANY REMEDY HEREIN OF ITS ESSENTIAL PURPOSE, EVEN IF MATWELD WAS AWARE OF THIS POSSIBILITY OF SUCH DAMAGE. MATWELD'S LIMITED WARRANTY AS SET FORTH ABOVE SHALL NOT BE ENLARGED, DIMINISHED OR AFFECTED BY, AND NO OBLIGATION OR LIABILITY SHALL ARISE OR GO OUT OF THE RENDERING OF TECHNICAL ADVICE OR SERVICE BY MATWELD OR ITS AGENTS. THE FOREGOING MAY NOT BE CHANGED EXCEPT BY WRITTEN AGREEMENT SIGNED BY AN AUTHORIZED OFFICER OF MATWELD, THE REMEDIES SET FORTH HEREIN ARE EXCLUSIVE.

MATWELD, INC.

PHONE:(270) 444-0085

FAX:(270) 443-6180

Matweld reserves the right to change parts, features, or specifications without notice.

CUSTOMER INFORMATION:

Name _____

Company _____

Serial # of your Matweld tool _____

(Upon receiving your Matweld tool, make sure to list serial number above so that a good record is kept for order information.)

MATWELD HYDRAULIC TOOL LIST

*All Matweld Hydraulic Tools operate at
5 or 10 GPM @ 2000 PSI*

POWER UNITS:

70700 – HYDRA POWERED MODULAR SYSTEM

02900 – DIESEL 1-10 GPM OR 2-5 GPM

(OPTIONAL CATALYTIC EXHAUST AND/OR MSHA CERTIFIED)

00100 – GASOLINE 1-10 GPM OR 2-5 GPM

02050 – GASOLINE 1-5 GPM

TRACK TOOLS:

01600A – 1” IMPACT WRENCH

04500D – ½” IMPACT DRILL

00800A – 16” RAIL SAW

03900A – REVERSING RAIL SAW

01100 – SPIKE PULLER

01300A – TIE TAMPER

01400 – SPIKE DRIVER

01500 – RAIL DRILL

01000 – CHAIN SAW

GRINDERS:

04600 & 04650 – STRAIGHT STONE CW & TRIGGER VERSION

04700 & 04750 – STRAIGHT STONE CCW & TRIGGER VERSION

04800 & 04850 – CUPSTONE & TRIGGER VERSION

00700 – RAIL SURFACING GUIDE

04300 & 04350 – 6” PROFILE & TRIGGER VERSION

02400 – 10” OR 14” FROG AND SWITCH GRINDER

OTHER PRODUCTS:

HYDRAULIC MANIFOLDS

HYDRAULIC TEST GAUGES

HOSE REELS

HYDRAULIC HOSES

ACCESSORIES

MATWELD, INC.

PHONE:(270) 444-0085

FAX:(270) 443-6180

Matweld reserves the right to change parts, features, or specifications without notice.