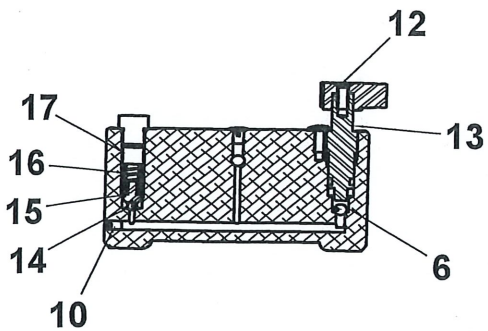
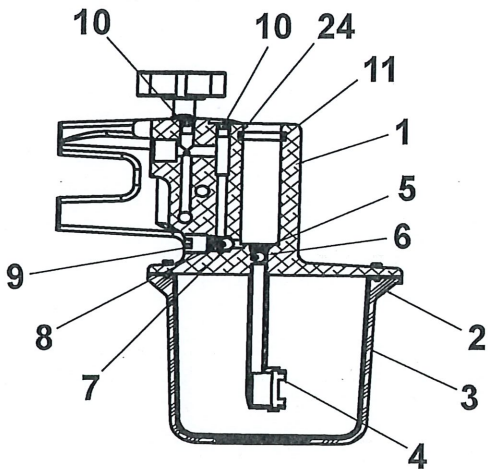
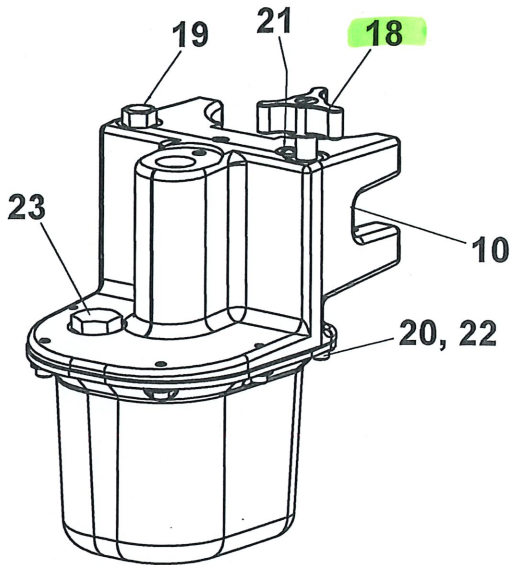


TETJ109LS (08-3000)

Figure 2 - Pump Assembly, 44453SR



Repair Parts List (Refer to Figure 2)

Item	Part Number	Qty.	Description
1	◆ 44063E	1	Pump Body TJ109
2	*◆ ---	1	Alum. Reservoir, TJ109
3	*◆ ---	1	Bladder, TJ109
4	◆ 44433E	1	Intake Tube Assembly
5	◆ 94978E	1	Ret. Ring Cap
6	◆ B1007016	2	Ball, 1/4"
7	◆ B1008016	1	Ball, 9/32"
8	◆ 44401E	1	Spring, Intake
9	◆ A1007245	1	1/8" Pipe Plug, Flush
10	◆ A1006245	6	1/16" Pipe Plug, Flush
11	*◆ ---	1	O-Ring 3/4 x 15/16"
12	◆ 69765E	1	10-24 Flat Hd Mach Screw
13	◆ 42792SR	1	Release Screw Assembly
14	◆ B1005016	1	Ball, 3/16"
15	◆ 88497E	1	Spring Cap
16	◆ 66085E	1	Spring, Relief Valve
17	◆ 66083E	1	Adj. Screw, Relief Valve
18	◆ 42791E	1	Release Knob
19	◆ B1018006	1	Plug, SAE #4
20	*◆ ---	6	SHCS 10-24 x 7/8" Zinc P
21	◆ 42803E	1	Truss Screw 10-24 x .375"
22	◆ B1086108X	6	Flat Washer
23	◆ DS3220006SR	1	Filler Plug
24	*◆ ---	1	Bu-Wash 3/4 x 15/16"

★ Item included in Packing Kit, part number 54200K.
 ◆ Item included in Pump Kit, part number 44453SR.
 * Item included in Reservoir Kit, part number TJ109LSRK.

**To Protect Your Warranty, Use Only
ENERPAC Hydraulic Oil.**

Energpac recommends that all kit components be installed to insure optimum performance of the repaired product.